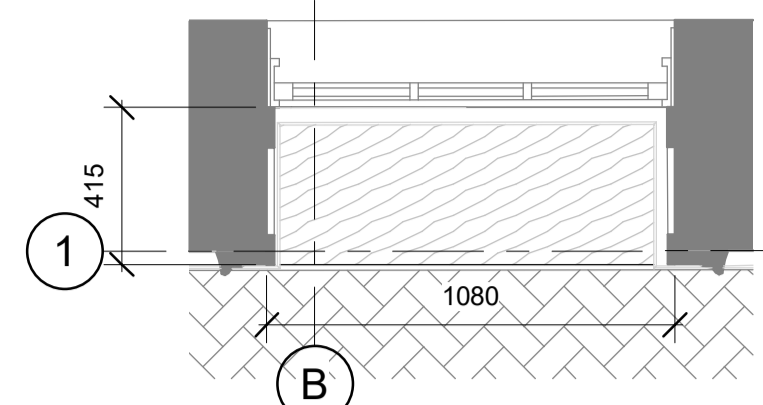
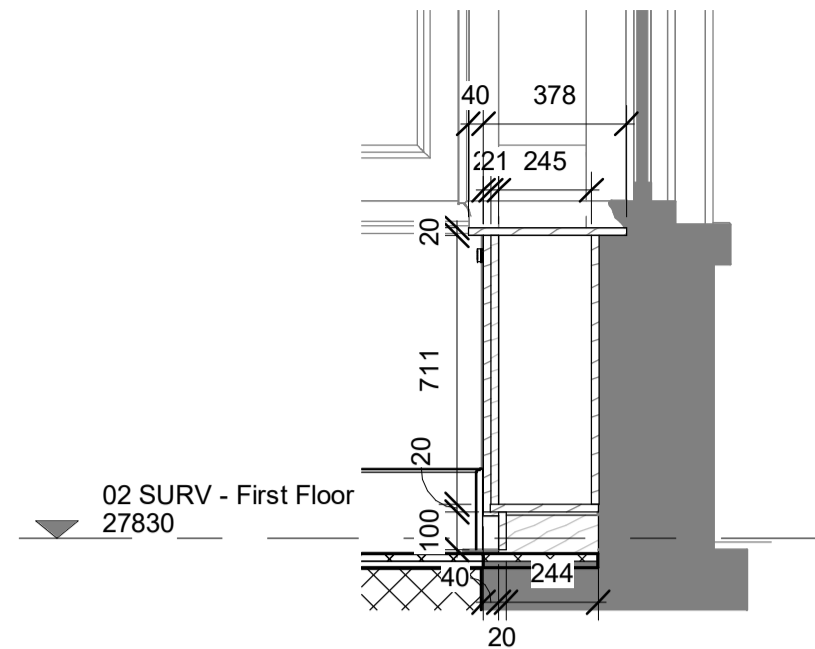


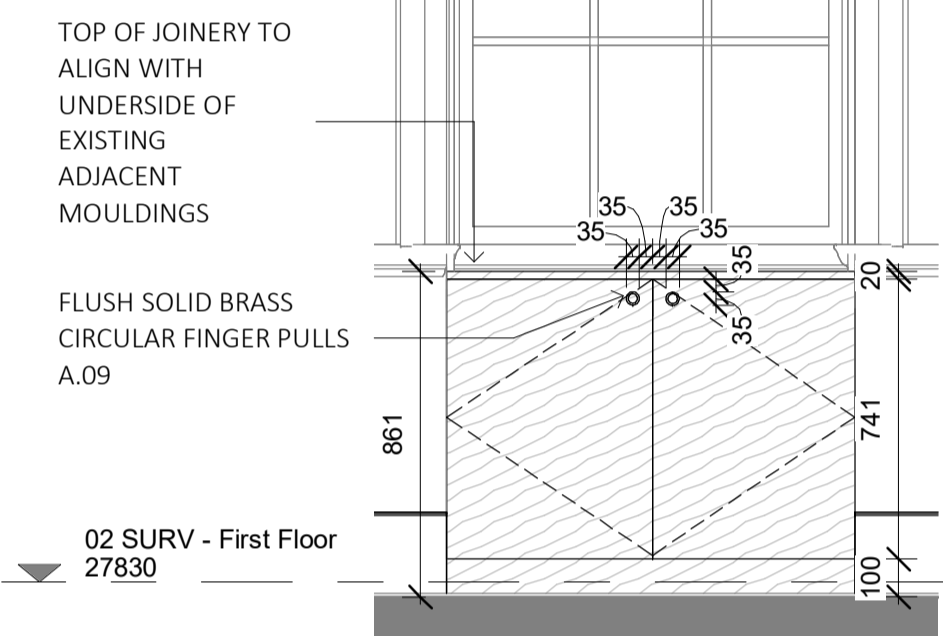
OG.01.01 - FRONT WINDOW SEAT



PL-OG.01.01 - FRONT WINDOW 1.0
1: 20

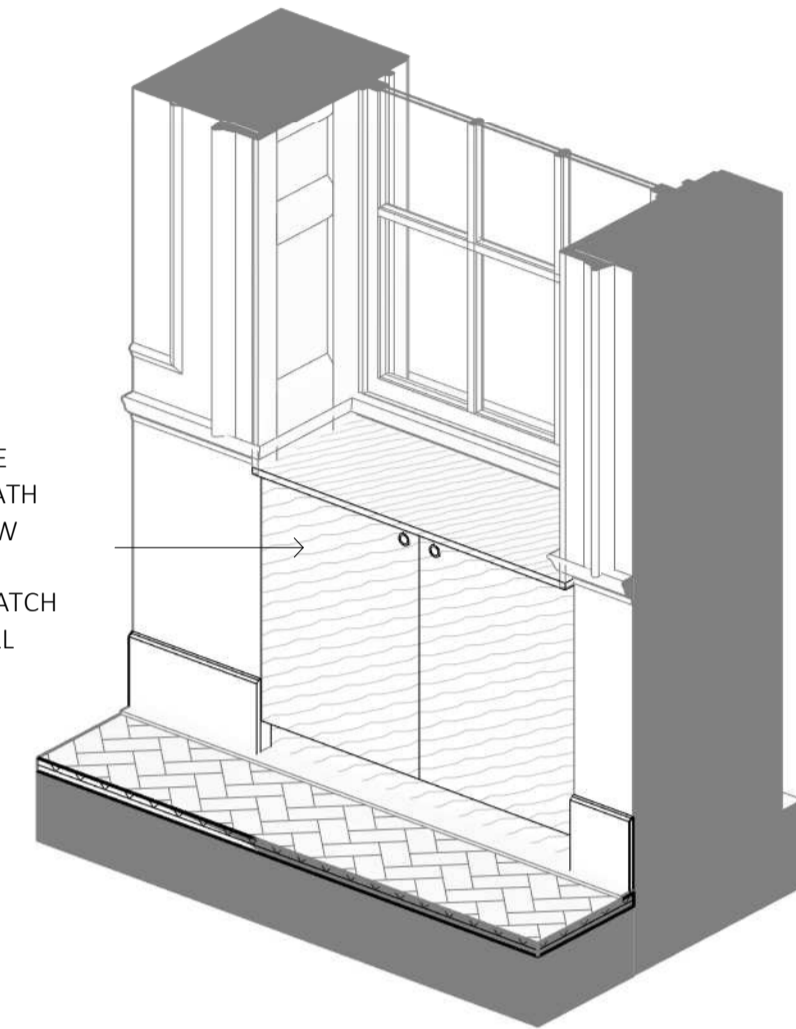


PL-OG.01.01 - FRONT WINDOW 3.0
1: 20



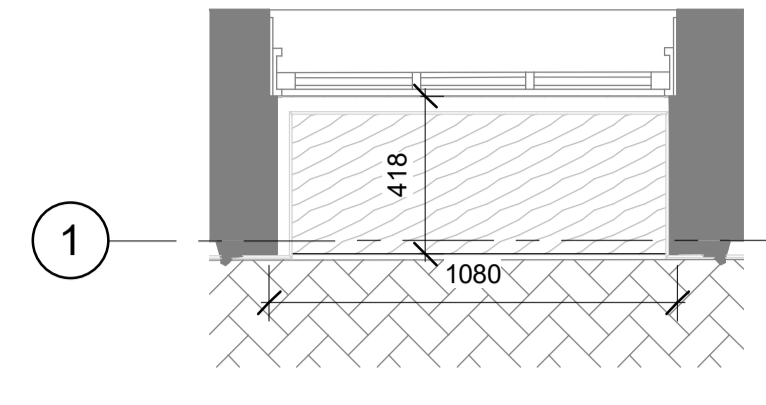
PL-OG.01.01 - FRONT WINDOW 2.0
1: 20

NEW VRV TO BE HOUSED BENEATH WINDOWS. NEW JOINERY TO BE PAINTED TO MATCH ADJACENT WALL

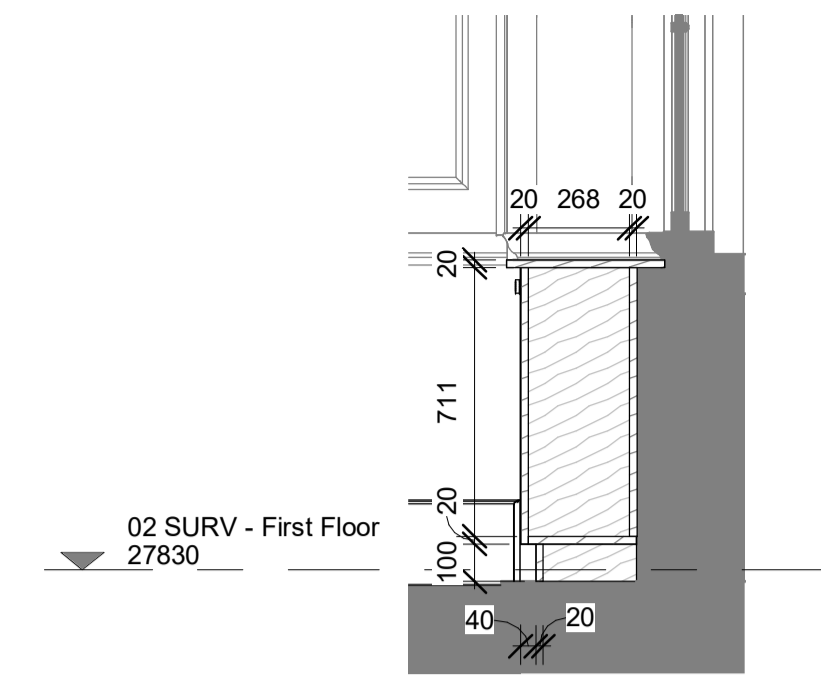


PL-OG.01.01 - FRONT WINDOW 4.0

OG.01.02 - FRONT WINDOW SEAT



PL-OG.01.02 - FRONT WINDOW 1.0
1: 20



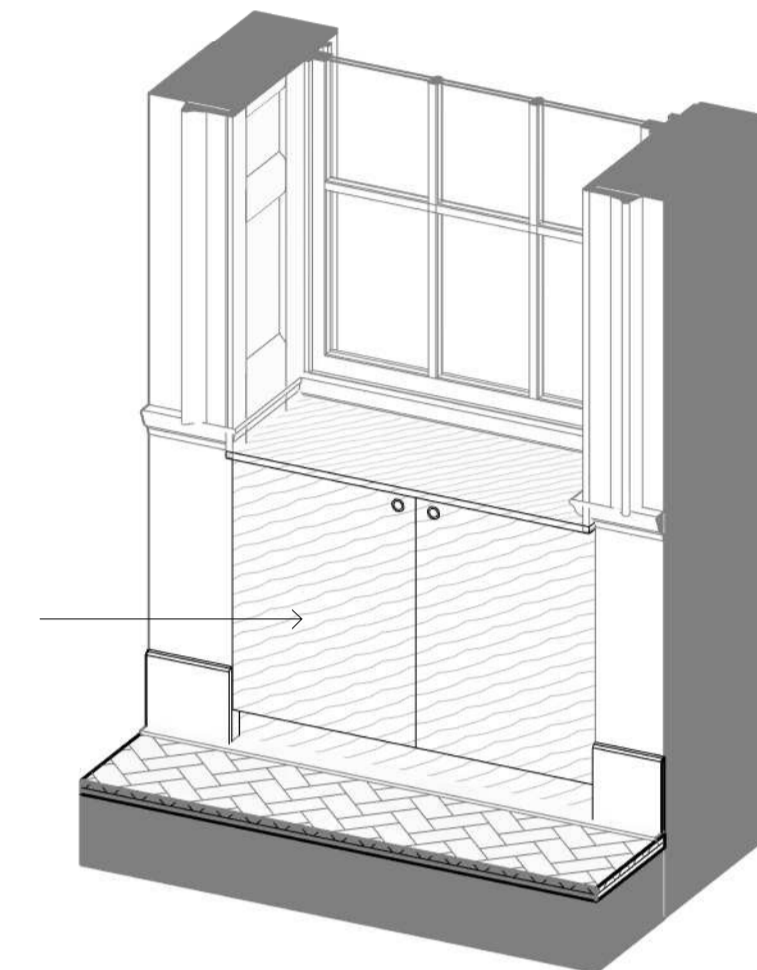
PL-OG.01.02 - FRONT WINDOW 3.0
1: 20

FLUSH SOLID BRASS CIRCULAR FINGER PULLS A.09
TOP OF JOINERY TO ALIGN WITH UNDERSIDE OF EXISTING ADJACENT MOULDINGS



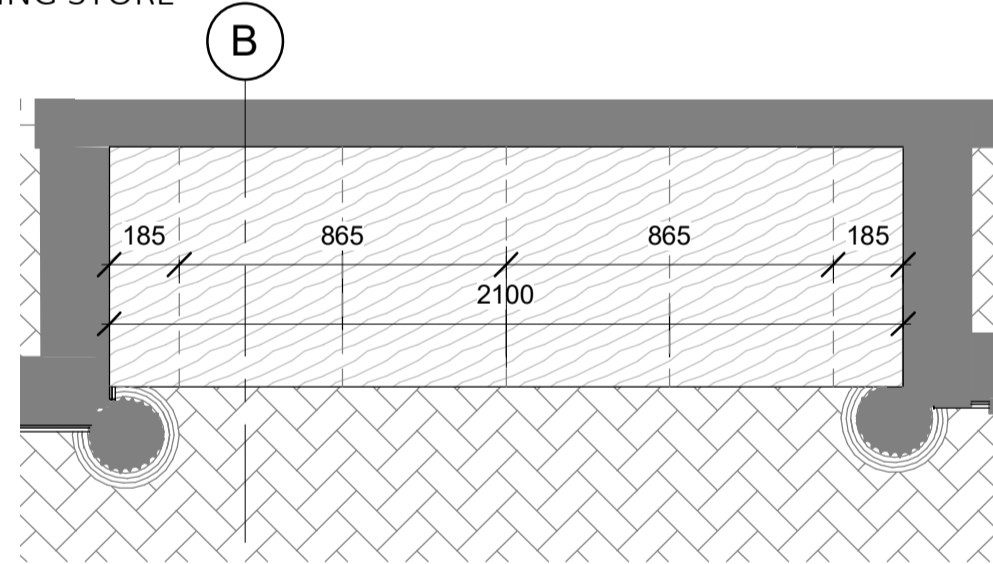
PL-OG.01.02 - FRONT WINDOW 2.0
1: 20

NEW VRV TO BE HOUSED BENEATH WINDOWS. NEW JOINERY TO BE PAINTED TO MATCH ADJACENT WALL

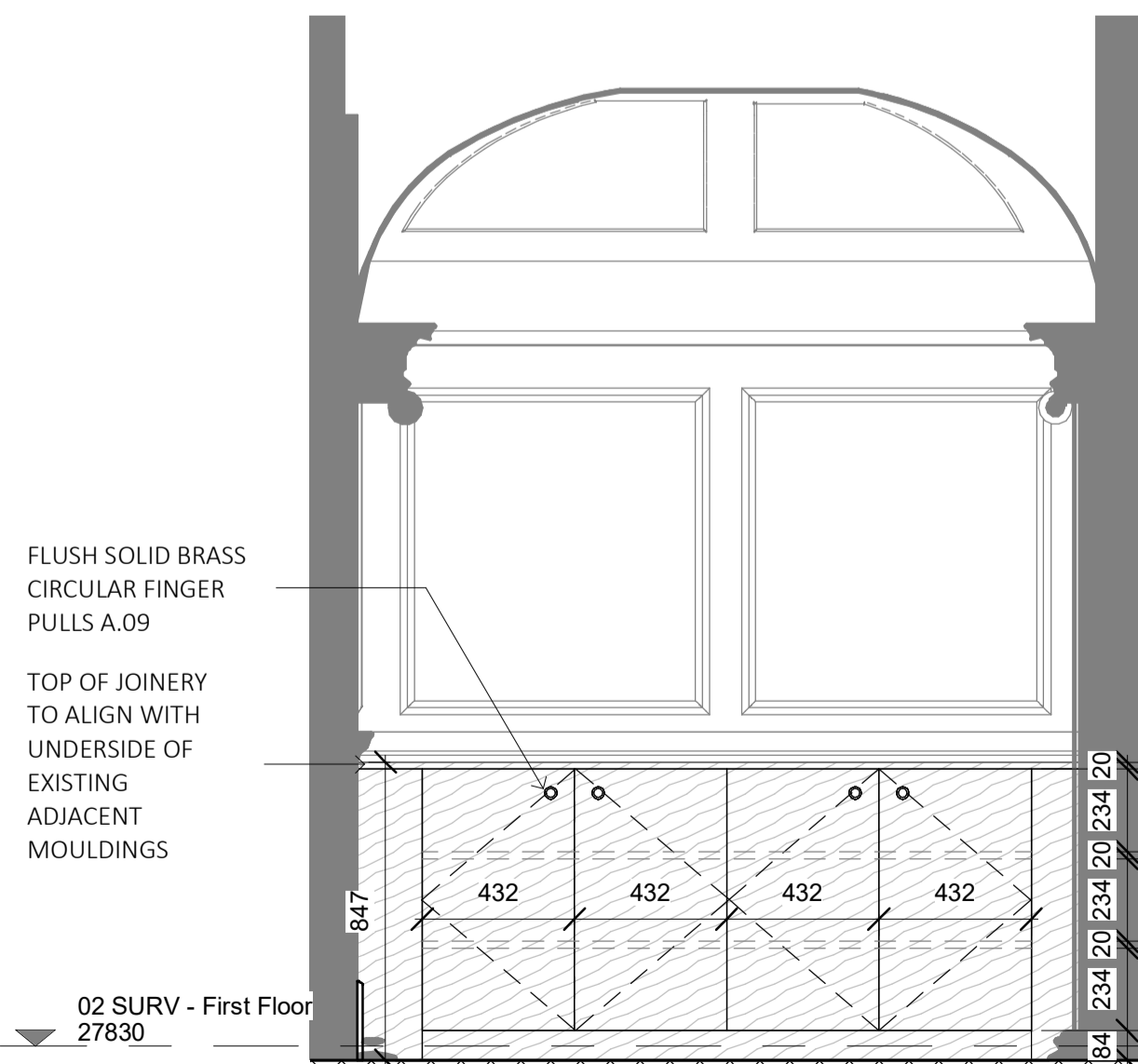


PL-OG.01.02 - FRONT WINDOW 4.0

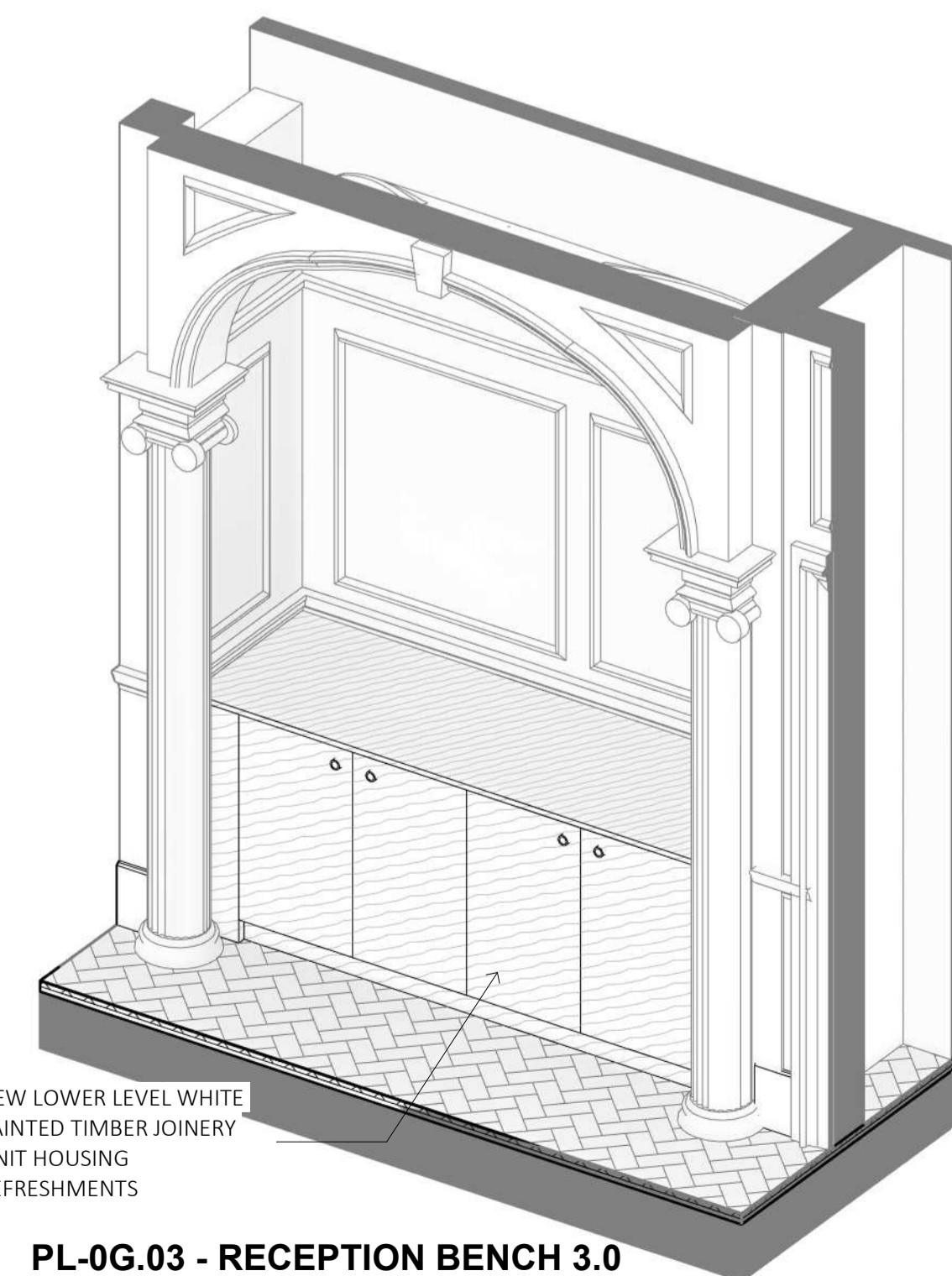
L3.05 - PRINTING STORE



PL-OG.03 - RECEPTION BENCH 1.0
1: 20

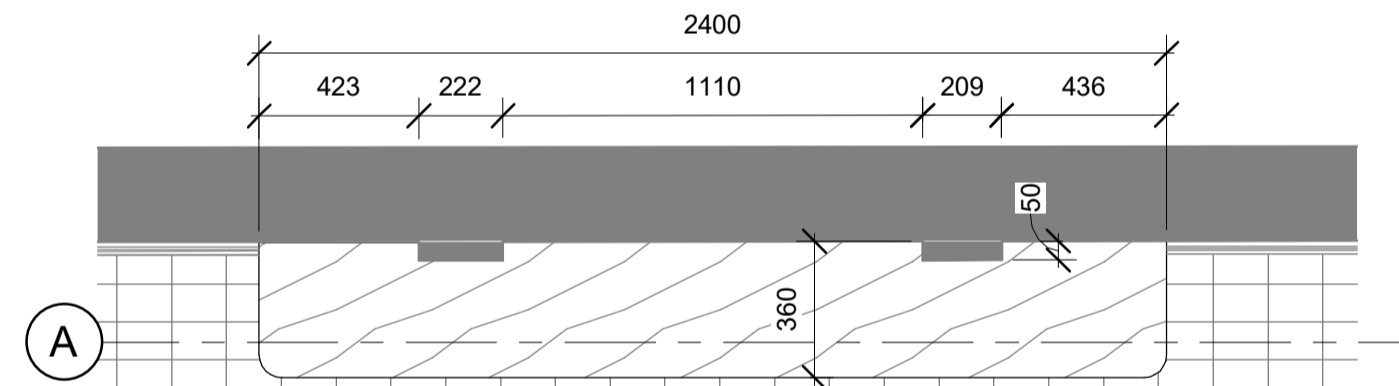


PL-OG.03 - RECEPTION BENCH 2.0
1: 20

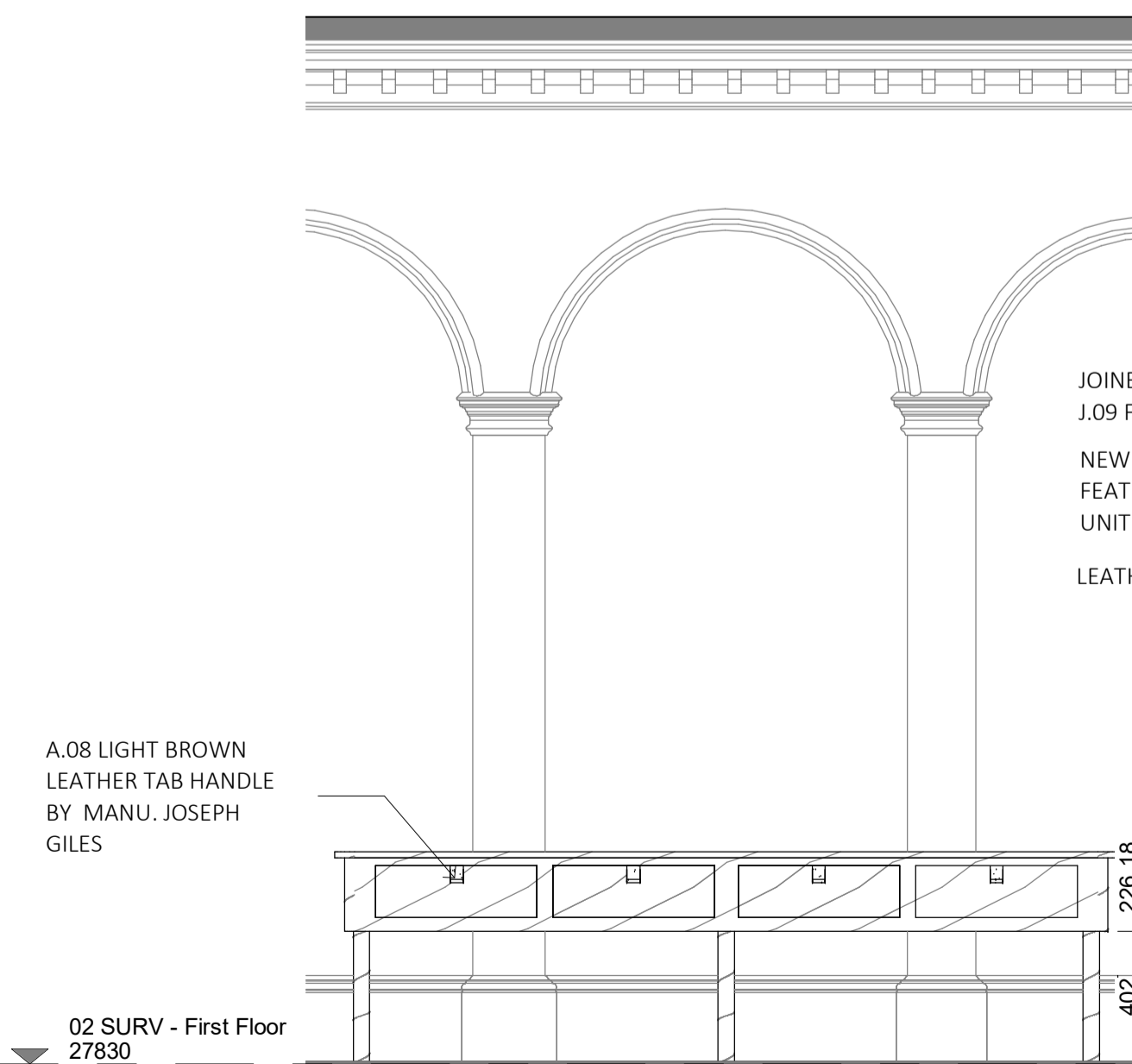


PL-OG.03 - RECEPTION BENCH 3.0

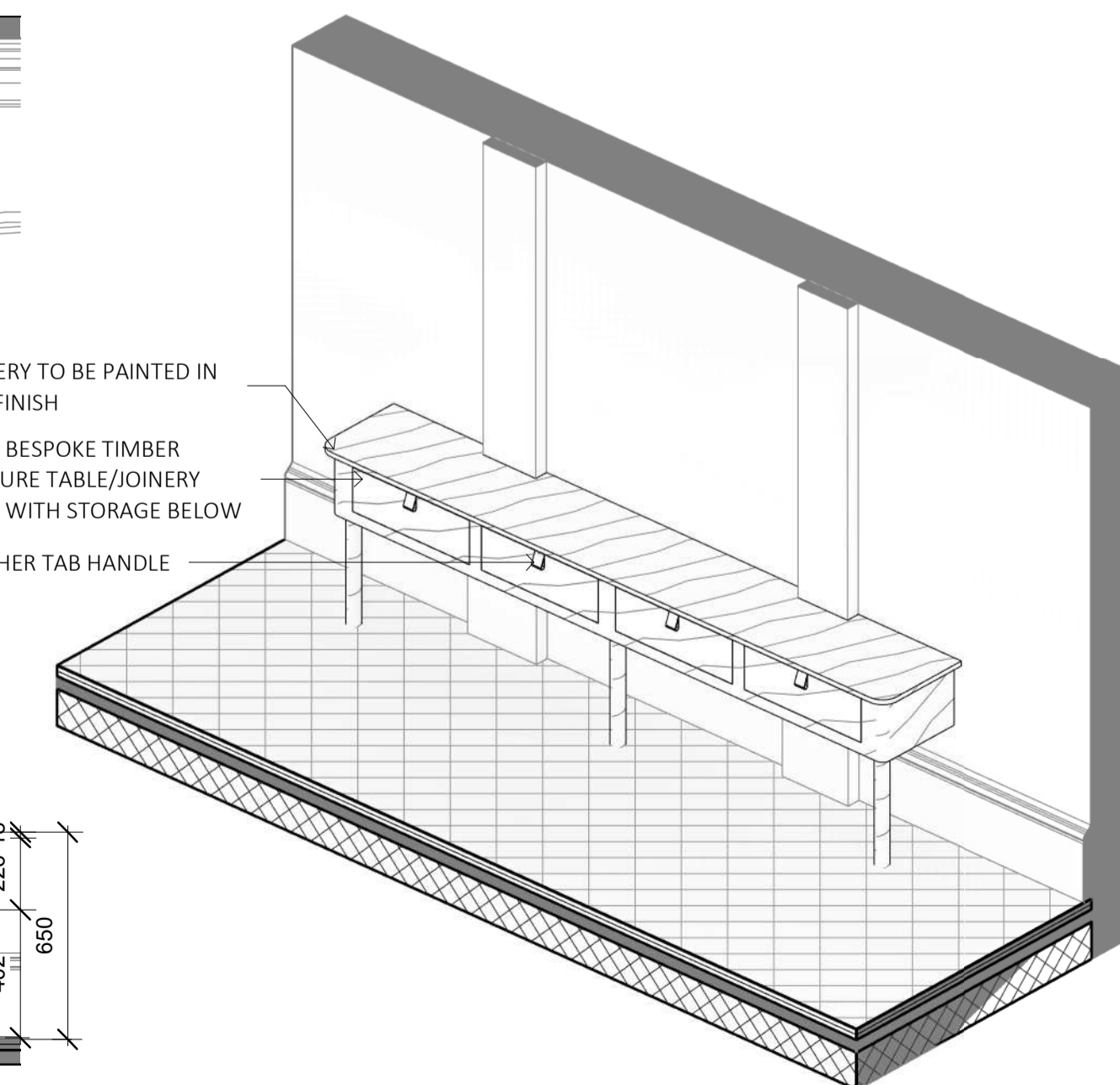
L3.06 - BRAINSTORMING AREA SHELVING



PL-OG.02 - RECEPTION BENCH 1.0
1: 20



PL-OG.02 - RECEPTION BENCH 2.0
1: 20



PL-OG.02 - RECEPTION BENCH 3.0

GENERAL NOTES

CONTRACTOR TO IMMEDIATELY ADVISE THE CONTRACT ADMINISTRATOR & ARCHITECT OF ANY DISCREPANCIES BETWEEN THE EXISTING SURVEY DRAWINGS AND THE SITE SITUATION IF FOUND TO DIFFER. SHOULD A DISCREPANCY BE IDENTIFIED, THE CONTRACTOR IS TO REQUEST VERIFICATION FROM THE CONTRACT ADMINISTRATOR BY WAY OF INSTRUCTION PRIOR TO PROCEEDING WITH THE ASSOCIATED WORK OR ORDERING OF MATERIALS.

WHERE THERE IS A PERCEIVED DISCREPANCY BETWEEN THE ARCHITECTS' M & E / STRUCTURAL ENG. DRAWINGS, SPECIFICATIONS AND SCHEDULES, THOSE OF THE ARCHITECT ARE TO TAKE PRECEDENCE. THE CONTRACTOR IS TO SEEK CLARIFICATION FROM THE CONTRACT ADMINISTRATOR PRIOR TO UNDERTAKING THE WORKS OR ASSOCIATED WORKS.

THE CONTRACTOR IS RESPONSIBLE FOR CHECKING DIMENSIONS. ANY DISCREPANCY TO BE VERIFIED WITH THE ARCHITECTS BEFORE PROCEEDING WITH ANY WORKS.

DO NOT SCALE DRAWINGS.

FIGURED DIMENSIONS TO BE WORKED IN ALL CASES. ALL DIMS ARE IN mm UNLESS OTHERWISE STATED.

ALL SUPPLIED TIMBER AND TIMBER BASED PRODUCTS SHALL CARRY THE FOREST STEWARDSHIP COUNCIL'S (FSC) TRADEMARK OR OTHER LABEL FROM AN EQUIVALENT INTERNATIONALLY RECOGNISED, GLOBALLY APPLICABLE, INDEPENDENT CERTIFICATION SYSTEM FOR GOOD FOREST MANAGEMENT, ACCEPTABLE TO THE ARCHITECT. CHAIN OF CUSTODY DOCUMENTATION IS TO BE PROVIDED PRIOR TO ANY WORKS PROCEEDING AND IS TO BE AVAILABLE FOR INSPECTION ON REQUEST BY THE ARCHITECT (WHERE INDEPENDENTLY CERTIFIED TIMBER STOCKS ARE NOT AVAILABLE, TIMBER AND WOOD PRODUCTS MAY BE SOURCED FROM SUPPLIERS THAT HAVE ADOPTED A FORMAL ENVIRONMENTAL PURCHASING POLICY, AND CAN PROVIDE CREDIBLE EVIDENCE OF A COMMITMENT TO THAT POLICY).

THIS DRAWING IS TO BE READ IN CONJUNCTION WITH ALL RELEVANT ARCHITECTS, STRUCTURAL ENGINEERS, M&E ENGINEERS AND OTHER CONTRACT DOCUMENTS.

AT ALL STAGES CONSIDERATION HAS BEEN GIVEN TO PROJECT SPECIFIC HAZARD IDENTIFICATION. A FULL DESIGNERS RISK ASSESSMENT HAS BEEN COMPILED AND ISSUED TO ALL STAKEHOLDERS, INCLUDING THE PRINCIPAL DESIGNER AND PRINCIPAL CONTRACTOR, IF APPLICABLE. HOWEVER, IT SHOULD BE NOTED THAT ONLY SIGNIFICANT AND UNUSUAL RISK HAVE BEEN IDENTIFIED. THE PRINCIPAL CONTRACTOR MUST CARRY OUT THEIR OWN RISK ASSESSMENTS AS OTHER UNIDENTIFIED RISKS WILL EXIST.

WHERE RISKS HAVE BEEN IDENTIFIED, REFER TO THE LEGEND BELOW AND TO THE SPARC DESIGNERS RISK ASSESSMENT.



SAFETY, HEALTH AND ENVIRONMENTAL INFORMATION

- FFHST01 - FALLS FROM HEIGHT
- FFHST02 - FALLS THROUGH FRAGILE MATERIAL
- FFHST03 - MOVING OBJECTS
- FFHST04 - FALLING OBJECTS
- FFHST05 - SLIPS AND TRIPS
- FFHST06 - LIVE SERVICES
- FFHST07 - NOISE / VIBRATIONS
- FFHST08 - MATERIALS HANDLING
- FFHST09 - INSTABILITY
- FFHST10 - DUST / FUMES
- FFHST11 - WORK IN CONFINED SPACES
- FFHST12 - COLLISION
- FFHST13 - EXHAUSTION
- FFHST14 - FIRE / OTHER EMERGENCY

GENERAL NOTE

ALL OPENING CUPBOARDS AND DRAWERS TO CONTAIN HANDLES STATED IN DOOR SCHEDULE - H.03 AND BE SHAKER STYLE PANELLLED

ALL OTHER ASSOCIATED HINGES AND PARTS TO BE PROVIDED BY JOINERY MAKER AND AGREED BY SPARC

REFER TO LIGHTING SPECIALIST DESIGN FOR LOCATIONS OF INTEGRATED LIGHTING TO BE FORMED IN JOINERY



VISUAL SCALE 1:20 @ A1

DATE	REV	PL	ISSUED FOR PLANNING CONDITION 4 a)
07.09.21	C01	PL	ISSUED FOR PLANNING CONDITION 4 a)

SPPARC

N°10 BAYLEY STREET
BEDFORD SQUARE
LONDON WC1B 3HB
T +44 (0) 20 7734 4100
F +44 (0) 20 7534 9930
W www.spparstudio.com

Client

Skagen

Job Title

1808 - 30 Percy Street

Drawing Title

Ground Joinery Details 02

Drawing Number & Revision

1808-SPP-PL-76-OG-01-02

Scale	Date Amended	Amended By	Revision
1:20@A1	07.09.21	PL	C01
Checked	Date Created	Drawn By	SUITABILITY
TM	20.08.21	PL	S4