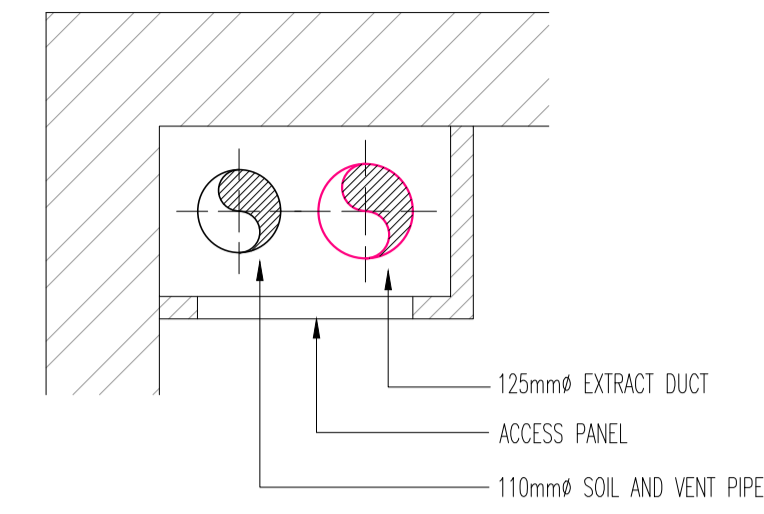


GENERAL NOTES

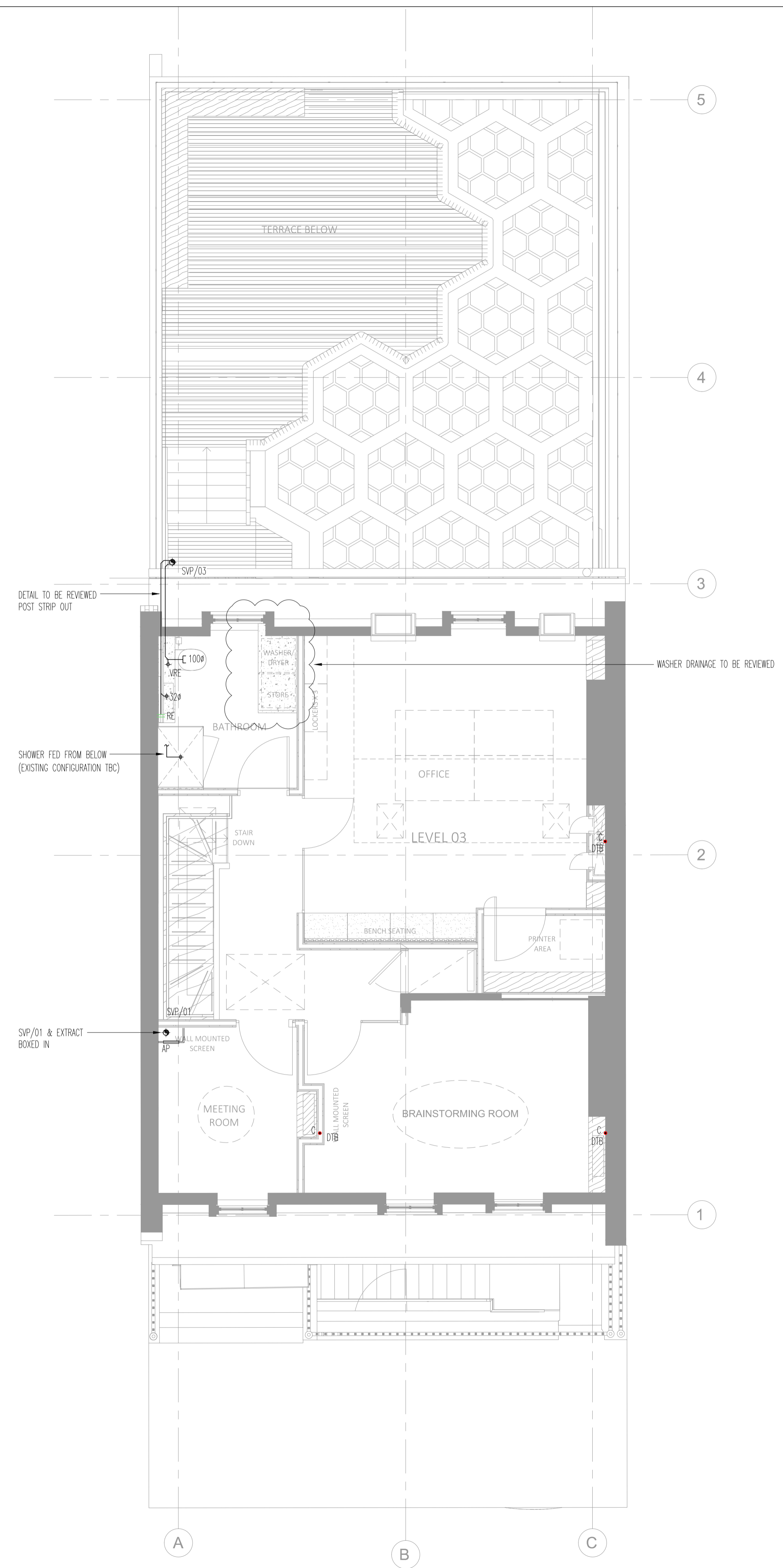
- CONDENSE TO FEED VRV UNITS
- ALL RODDING EYES ARE TO BE ACCESSIBLE, ALL VRE'S (VERTICAL RODDING EYES) TO BE LOCATED ABOVE THE FLOOD PLANE
- ALL VERTICAL STACKS ARE CAST IRON (COMPLETE WITH 30mm MUFFLAG)
- ALL SVP'S TO HAVE AN ACCESS PANEL AT EACH LEVEL

LEGEND

- - - - HIGH LEVEL ABOVE CEILING VOID
- . - . - HIGH LEVEL BELOW CEILING
- LOW LEVEL ABOVE GROUND
- - - - - LOW LEVEL BELOW GROUND
- DRAINAGE PIPEWORK
- CONDENSATE PIPEWORK
- C. CONDENSATE DRAIN
- DTB DROP TO BELOW
- DFA DROP FROM ABOVE
- DTLL DROP TO LOW LEVEL



DETAIL A  
(SCALE 1:10@A1)



STAGE 4

Rev	Date	Description
B	AUG.21	COMMENTS INCORPORATED
A	APR.21	REVISED TO SUIT UPDATED BACKGROUNDS
0	JUN.19	STAGE 4 ISSUE

**TPS**  
Taylor Project Services LLP  
No.1 Cornhill  
London, EC3V 3ND  
Tel 020 7743 6602  
www.taylorprojectservices.com



Client:  
Project:  
**30 PERCY STREET  
LONDON**

Drawing Title:  
**THIRD FLOOR  
DRAINAGE SERVICES  
LAYOUT**

Scale: 1:50@A1 Date: 17.01.18  
Drawn: T.S. Checked: M.G.

Drawing Status: **STAGE 4**

Revision: 0 A B

Drawing No.: **TPS/30PS/3/PH**

NO SERVICES SHALL BE RUN ON SURFACE/EXPOSED AND MINI TRUNKING SHALL NOT BE INSTALLED IN ANY ROOM.  
ALL SERVICES RUNS TO BE REVIEWED ON SITE FOLLOWING STRIP OUT AND OPENING UP.  
NEW SERVICE ROUTES TO BE INSTALLED WITHIN EXISTING BUILDERS WORK & UTILISED WHEREVER POSSIBLE.

