

# LEABACK

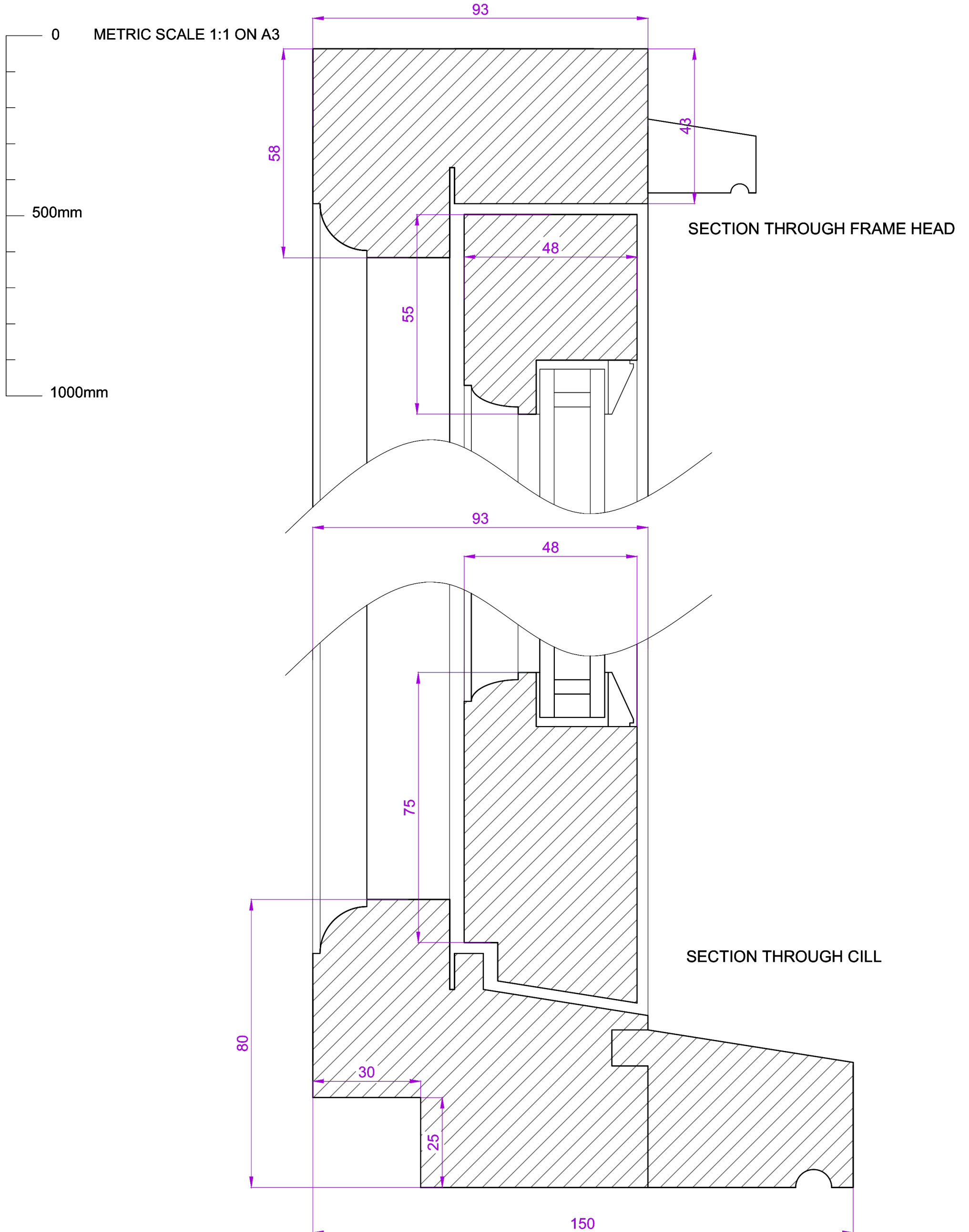
JOB NO: 35234  
SHEET 1 OF 2

Drawn by C JEWISS  
Scale 1:1 at A3  
Issue No 01  
Date: OCT 2021

The Sash Window Workshop  
4 Kiln lane,  
Bracknell,  
Berkshire RG12 1NA  
tel: +44 (0)1344 868668  
fax: +44 (0)1344 868858  
email: jewiss@sashwindow.com

## ITEM 2

COMPLETE NEW  
CASEMENT WINDOW



# LEABACK

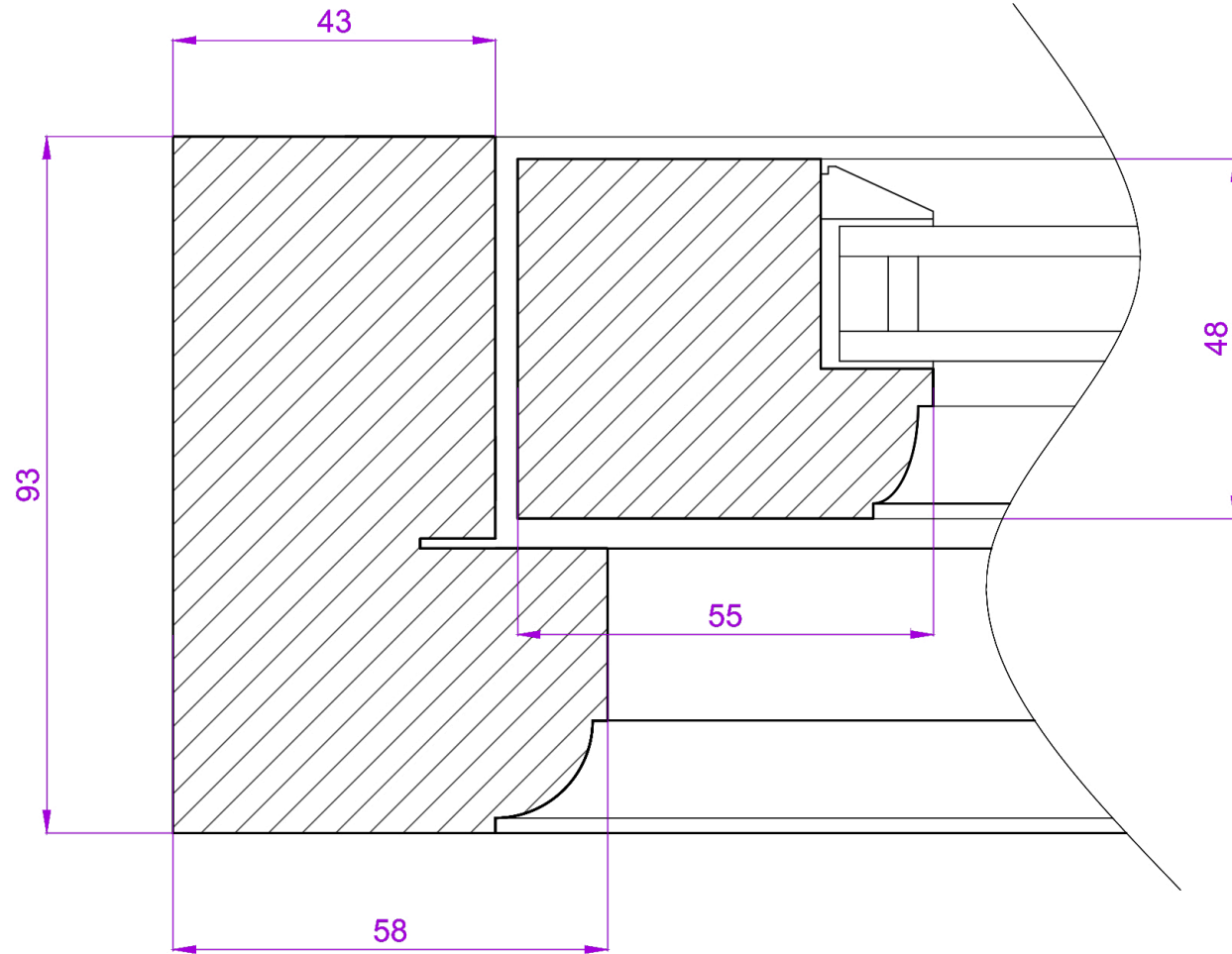
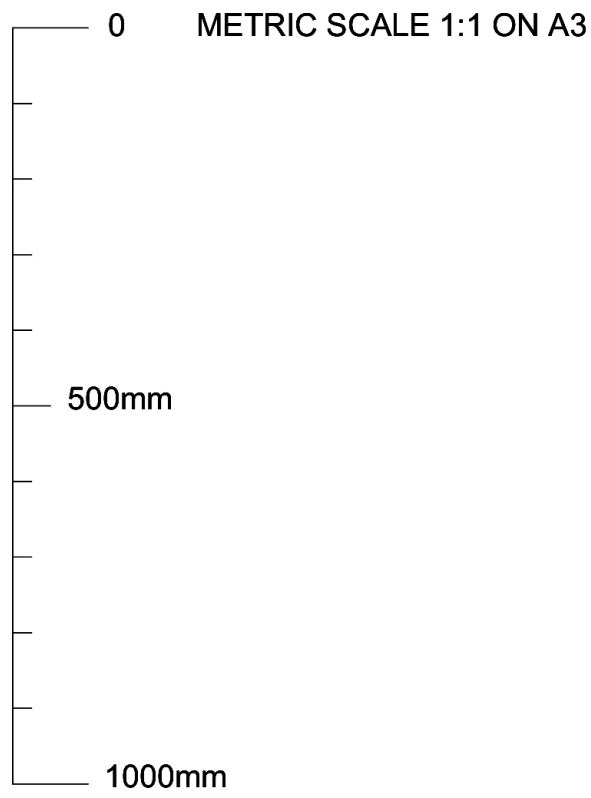
JOB NO: 35234  
SHEET 2 OF 2

Drawn by C JEWISS  
Scale 1:1 at A3  
Issue No 01  
Date: OCT 2021

The Sash Window Workshop  
4 Kiln lane,  
Bracknell,  
Berkshire RG12 1NA  
tel: +44 (0)1344 868668  
fax: +44 (0)1344 868858  
email: jewiss@sashwindow.com

## ITEM 2

COMPLETE NEW  
CASEMENT WINDOW



SECTION THROUGH FRAME JAMBS