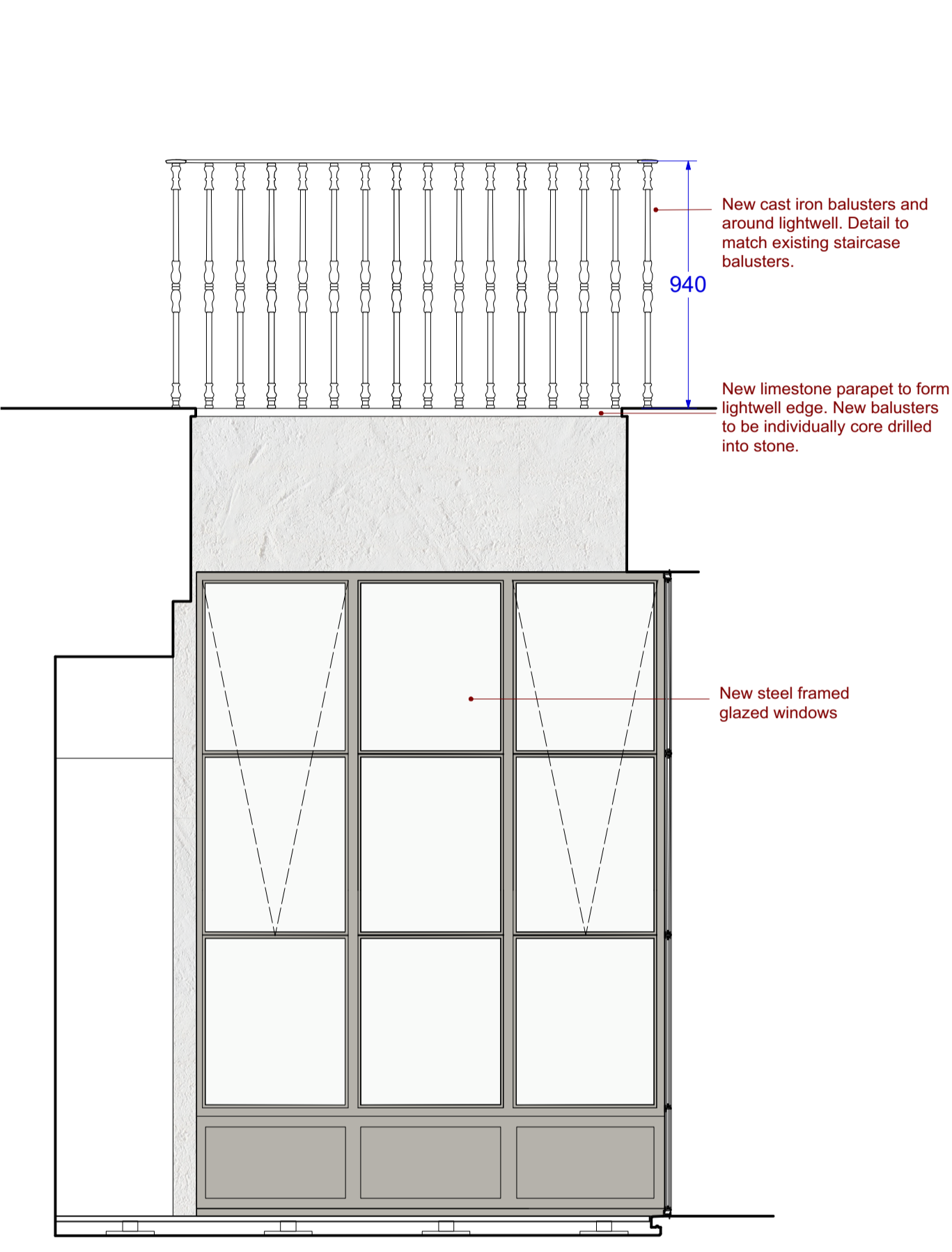
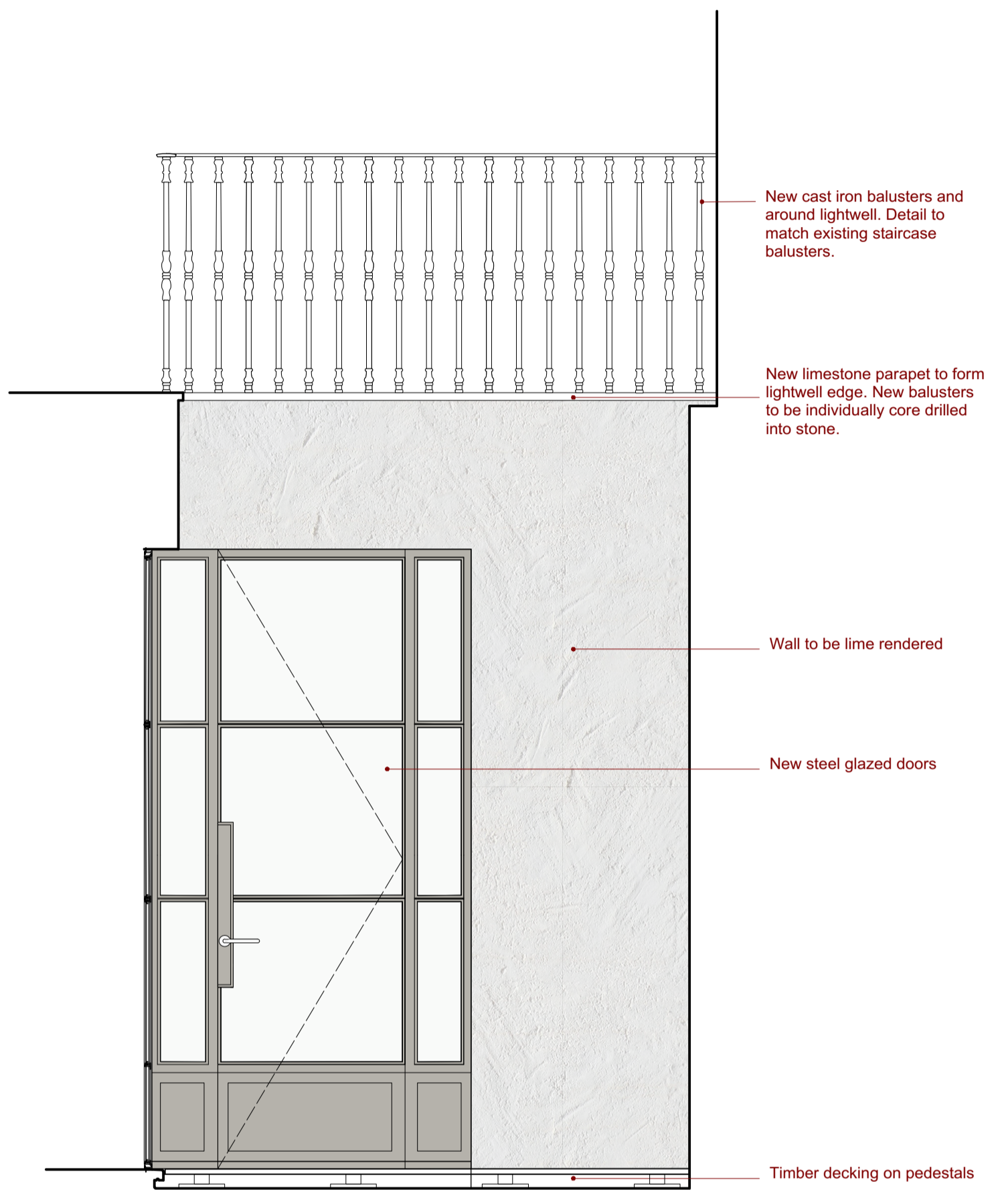


© Copyright  
 This drawing and its subject matter is the intellectual property of Studio Dot, protected by the Copyright, Designs and Patents Act 1988. No part of this drawings shall be reproduced, used or disclosed without the express written consent of Studio Dot.  
 -This document and all associated documents and drawings are prepared for a specific site and event as described, and incorporate calculations and measurements available from third parties.  
 -No dimensions are to be scaled from this drawing for construction purposes.  
 -Contractors must verify all dimensions on site before commencing any work or producing rod/shop drawings.  
 -This drawing is to be read in conjunction with all other consultants' drawings, specifications and schedules.  
 -Any discrepancies must be reported to the architect, interior designer and/or other consultants.  
 -This drawing should be discarded immediately after a revised version is issued.

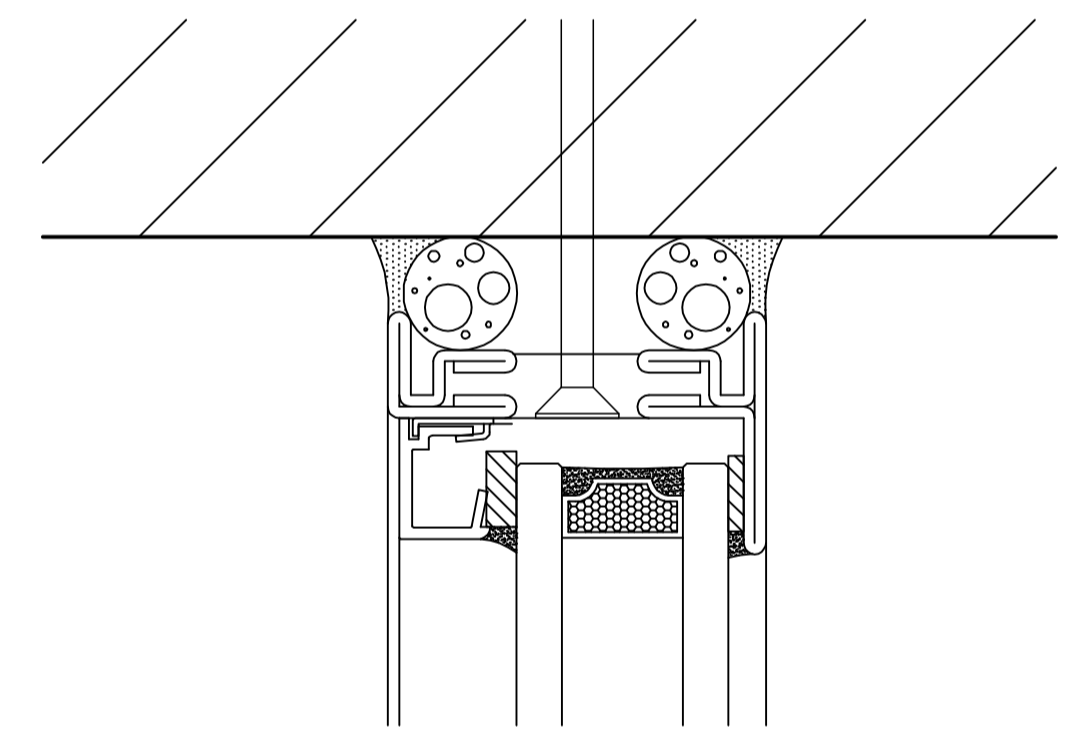
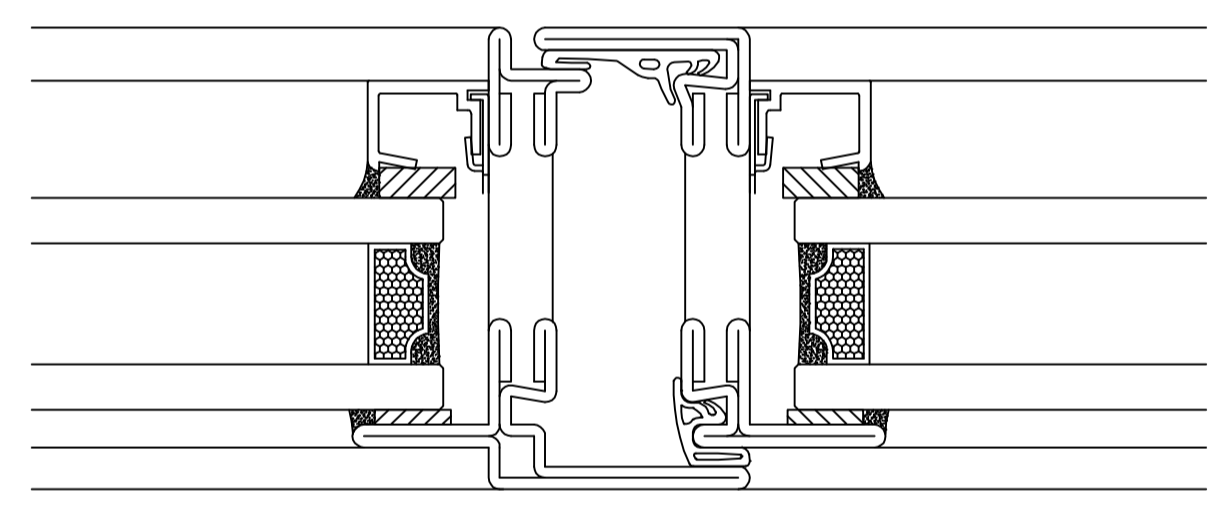
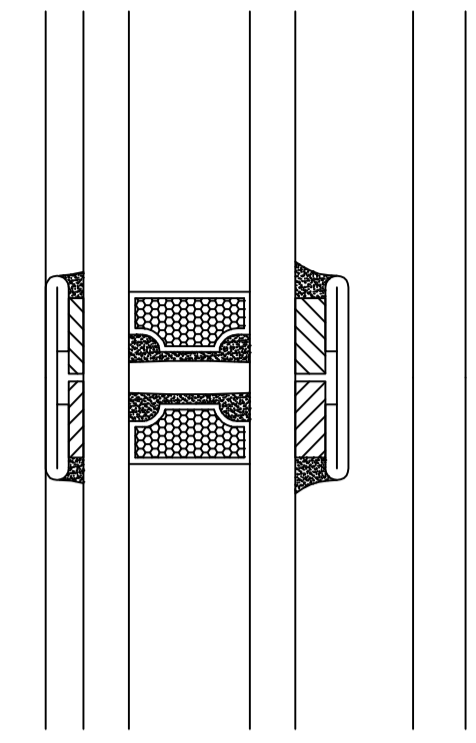
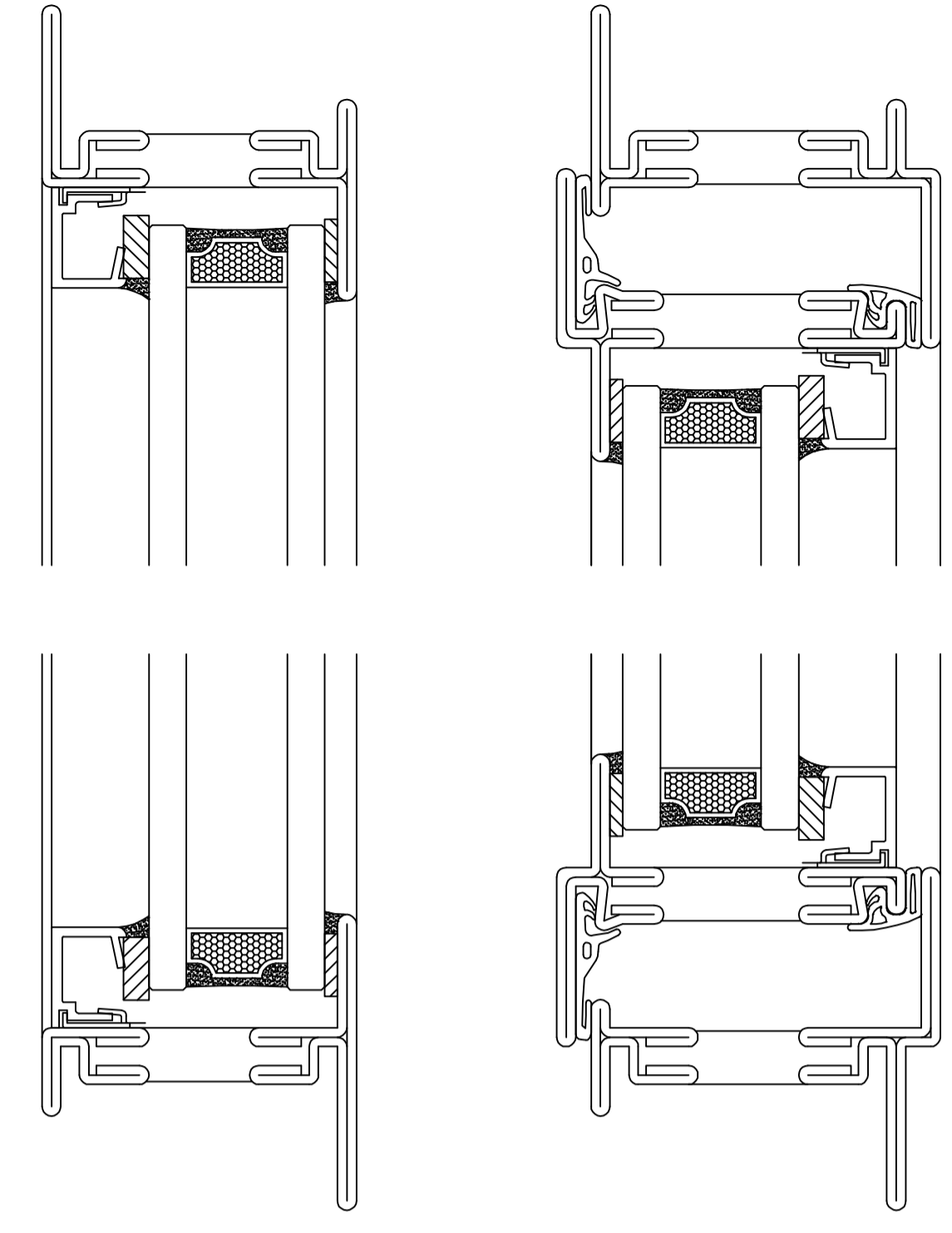
Issued for:  
**Stage 3 - LBC**



**ELEVATION A**  
 Scale 1:10

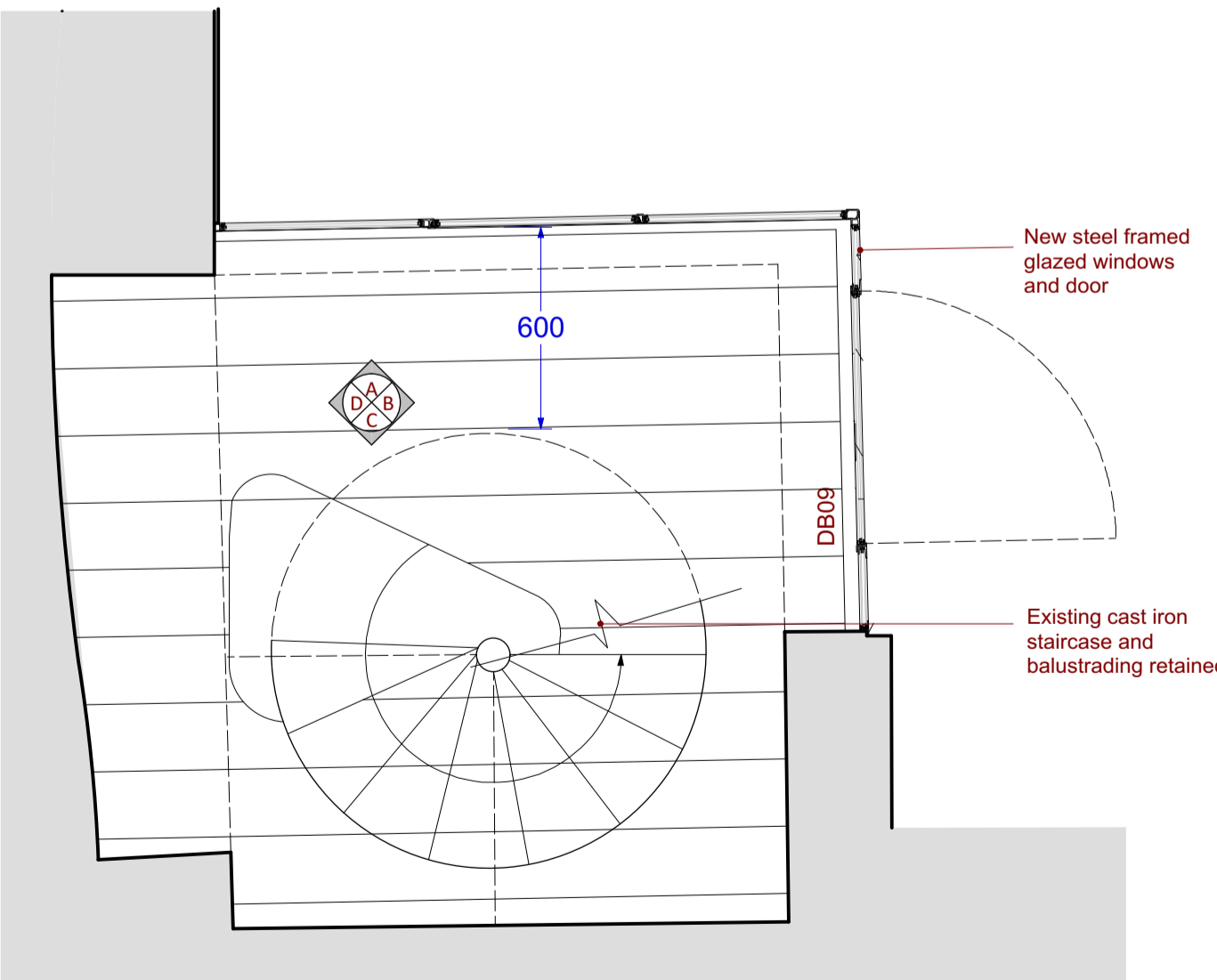


**ELEVATION B**  
 Scale 1:10

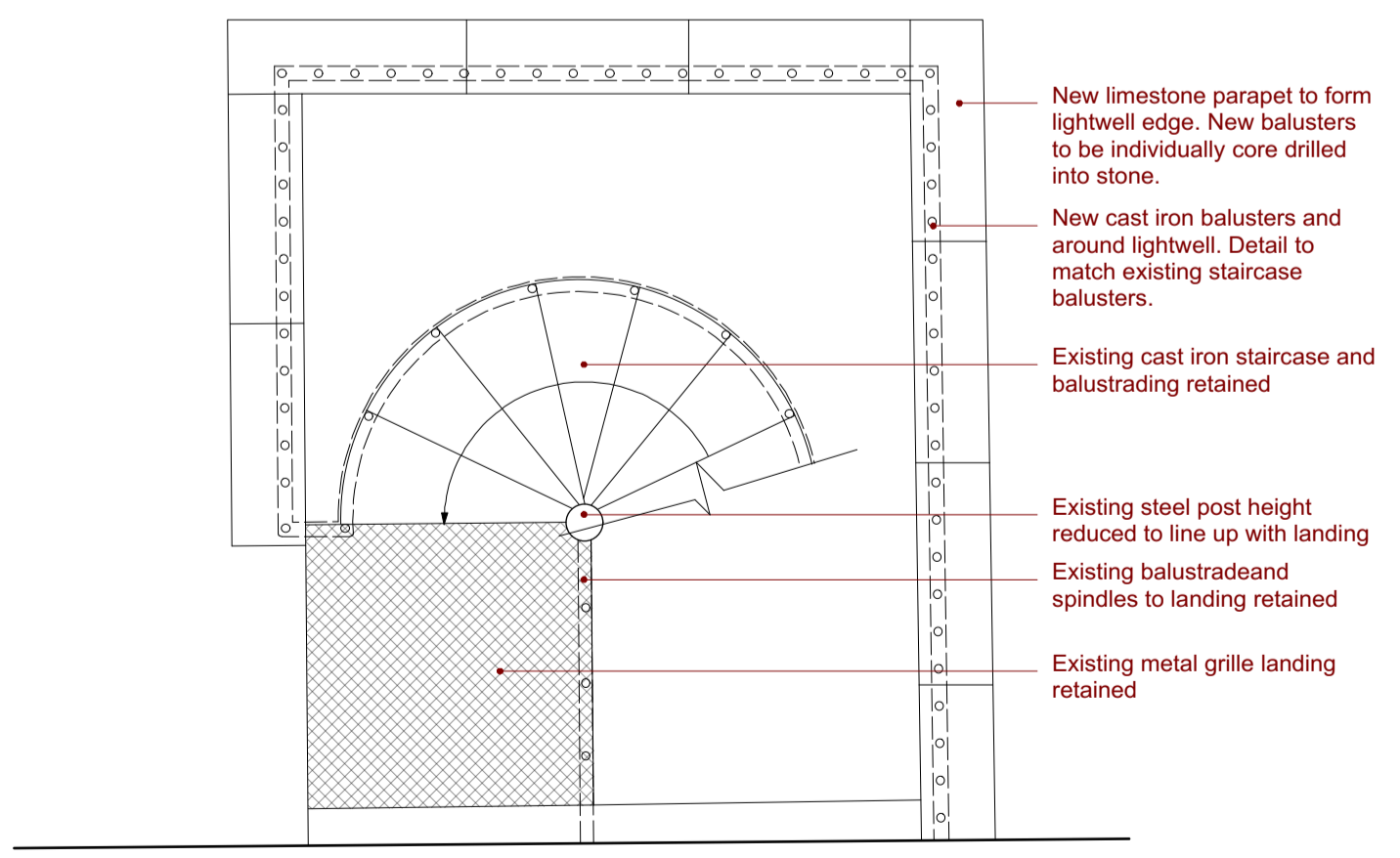


**DOOR JUNCTION DETAIL**

**FIXING DETAIL**



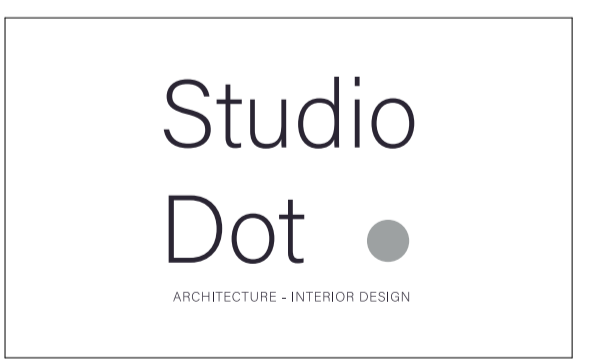
**PLAN - BASEMENT LEVEL**  
 Scale 1:10



**PLAN - GROUND FLOOR LEVEL**  
 Scale 1:10

**TYPICAL STEEL FRAMED GLAZING DETAILS**  
 SCALE 1:1  
 (CRITTALL T60 THERMALLY BROKEN SYSTEM OR SIMILAR)

REV	DATE	REASON FOR ISSUE



Project:		35 JOHN STREET WC1N 2AT	
Title:		REAR LIGHTWELL WINDOW DETAILS	
Drawn by:	AK	Checked by:	AK
Scale:	1:10/1:1 @ A1	Drawing Number:	1007 - P521
Date:	19.08.2021	Revision:	-