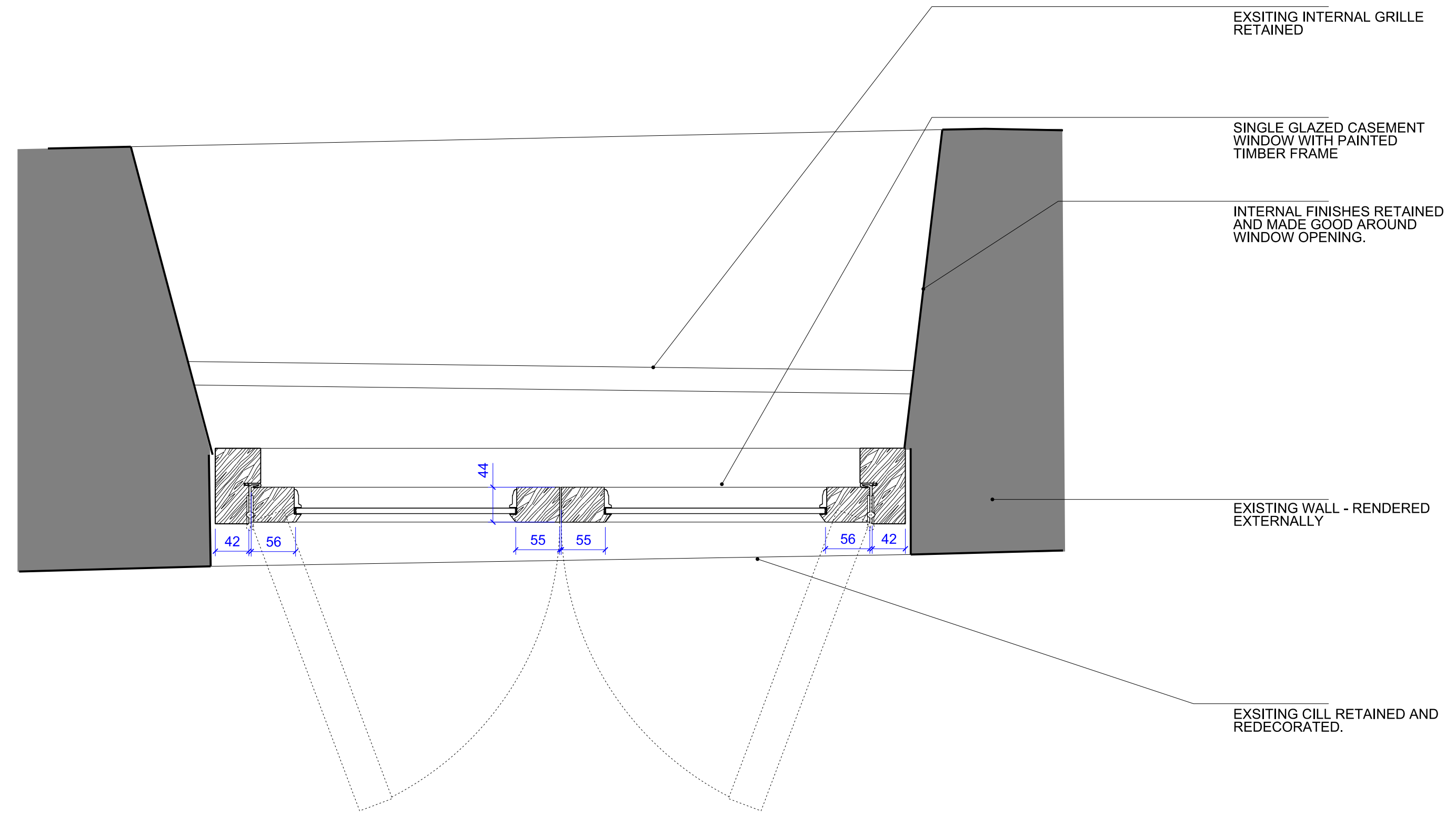
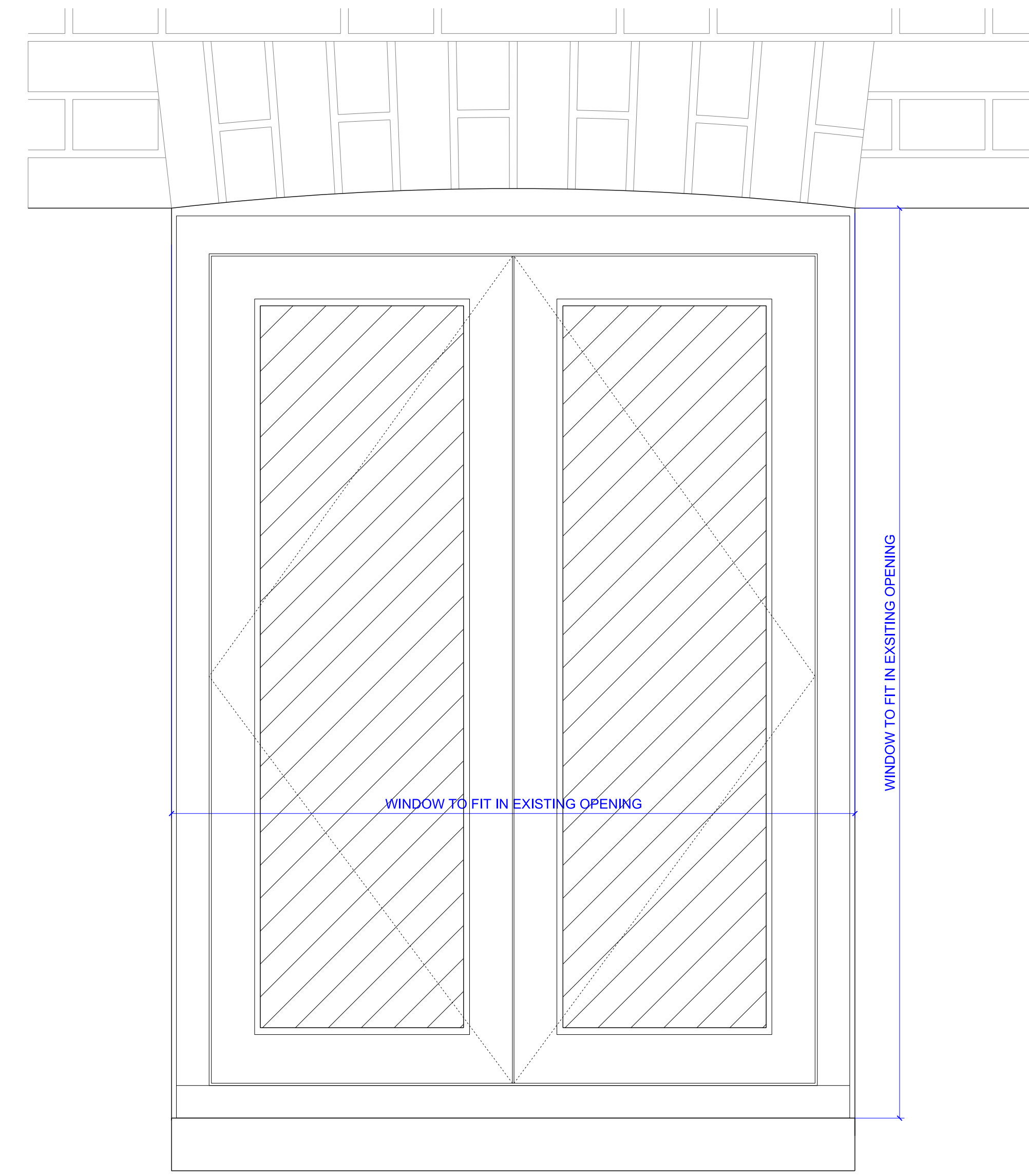


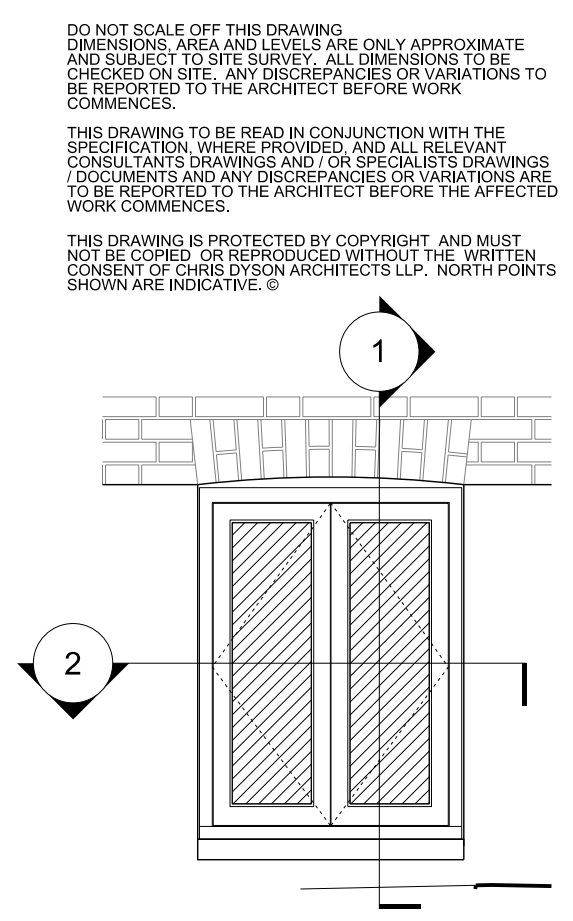
1 1:5 @ A1 / 1:10 @ A3
SECTION



2 1:5 @ A1 / 1:10 @ A3
FLOOR PLAN



3 1:5 @ A1 / 1:10 @ A3
ELEVATION



DO NOT SCALE OFF THIS DRAWING. DIMENSIONS, AREA AND LEVELS ARE ONLY APPROXIMATE AND SUBJECT TO SITE SURVEY. ALL DIMENSIONS TO BE CHECKED ON SITE. ANY DISCREPANCIES OR VARIATIONS TO BE REPORTED TO THE ARCHITECT BEFORE WORK COMMENCES.

THIS DRAWING TO BE READ IN CONJUNCTION WITH THE SPECIFICATION WHERE PROVIDED AND ALL RELEVANT CONSULTANTS DRAWINGS AND FOR SPECIALISTS DRAWINGS (DOCUMENTS AND ANY DISCREPANCIES OR VARIATIONS ARE TO BE REPORTED TO THE ARCHITECT BEFORE THE AFFECTED WORK COMMENCES.

THIS DRAWING IS PROTECTED BY COPYRIGHT AND MUST NOT BE COPIED OR REPRODUCED WITHOUT THE WRITTEN CONSENT OF CHRIS DYSON ARCHITECTS LLP. NORTH POINTS SHOWN ARE INDICATIVE. ©

01	05.10.21	PLANNING ISSUE	DR
00	04.06.21	PLANNING ISSUE	ED
REV	DATE	NOTES	INT.
PROJECT			
45 HIGHGATE WEST HILL			
DRAWING TITLE			
DETAILS - CASEMENT WINDOW TO BASEMENT			
STATUS			
PLANNING			
DATE	DRAWN	CHECK	SCALE @ A3 1:10
APRIL 2020	JR	MW	SCALE @ A1 1:5
PROJECT NUMBER	DRAWING NUMBER	REVISION LETTER	
0417	A	1462	01
DRAWING AND CAD FILE NUMBER:			