



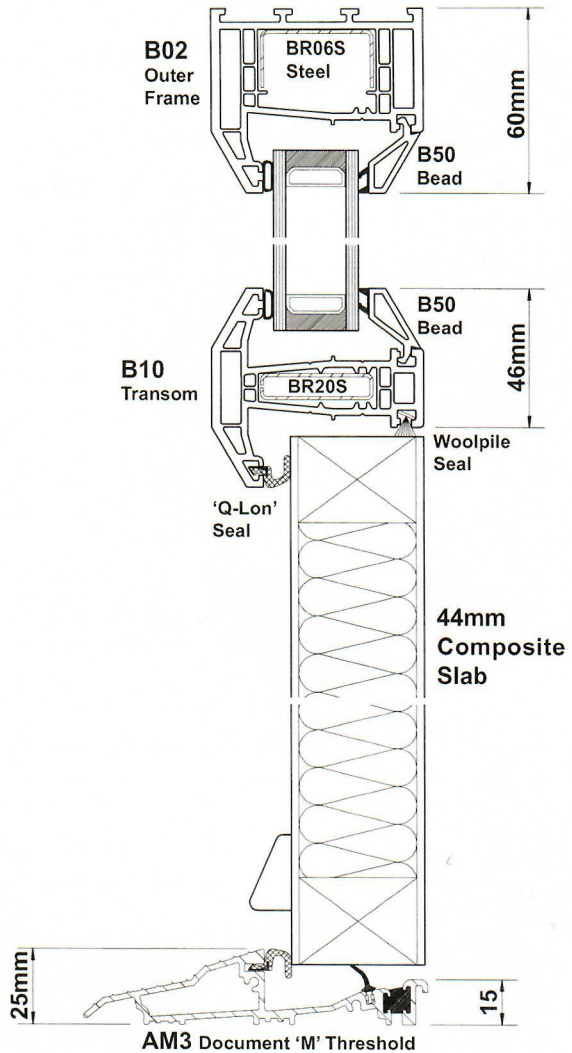
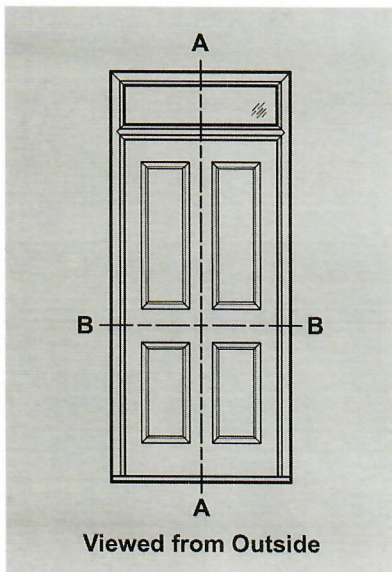
Front door

Quantity	1
Dimensions	900 x 2460
Products	uPVC Casement Window (Double Glazed) Luxe Timber Core Door
Frame styles	P10 A Composite Door
Frame Colour	Anthracite Grey/White (Smooth)
Frames	Britelite 70mm Profile (1 2 3 4) Solid Door 70mm Door Profile (5 6 7 8)
Coupler	uPVC Coupler
Hanging	Right
Glazing specification	(SBD Casement Windows) Double Glazing: Super Soft Coat, Argon Gas Filled, Low Iron Externally, Ultimate Swiss Warm Edge Spacer Bar
Glazing texture	Clear
Glazing feature	None
Door style	Maple Solid
Door colour	Anthracite Grey/White
Door open	In
Door handle	Chrome Pad
Hinge	White
Letterplate	Chrome
Knocker	(Solid Core) Chrome Urn with spy

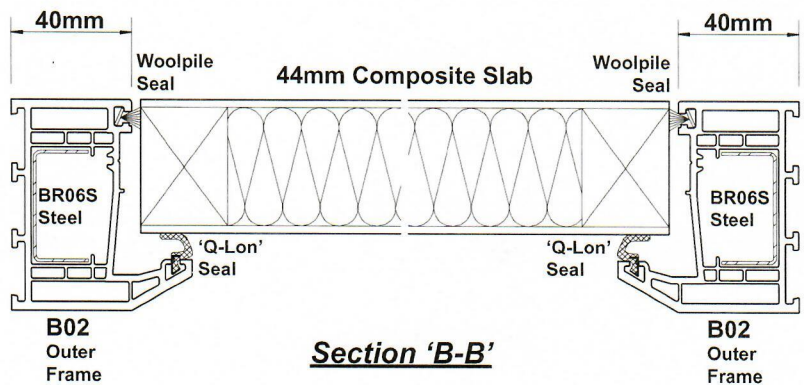
Composite Door (Open-in)

CATEGORY	DESCRIPTION	STYLE
PRODUCT	ASSEMBLIES	COMPOSITE DOOR

-  Fully Bevelled
-  28mm Double Glazing
-  Internally Glazed Bevelled Bead
-  'Q-Lon' Weatherseal
-  Woolpile Seal



Section 'A-A'



Section 'B-B'

Choosing Solidor®

We understand that knowing your home and family are protected is a major factor when choosing a new door.

You can rest assured that with our door construction, coupled with our unique, reinforced door frame and Secured by Design locking systems, your home will be as safe as can be when you choose Solidor.

A typical foam filled door construction

40mm Foam Filled Centre
performs thermally, but because this is a foam fill it is neither solid, nor secure.

Visible Edge Banding
as a result you will often see a different coloured line running the length of the door.

Gel Coated GRP Outer Skin
may offer protection but can be easily cut through. Also, because every door is a white blank that is surface painted they show scratches very easily.

3 Chamber Profile
which use valuable steel or aluminium reinforcements. Also, you should check if they are lead free.

Solidor's unique solid timber construction

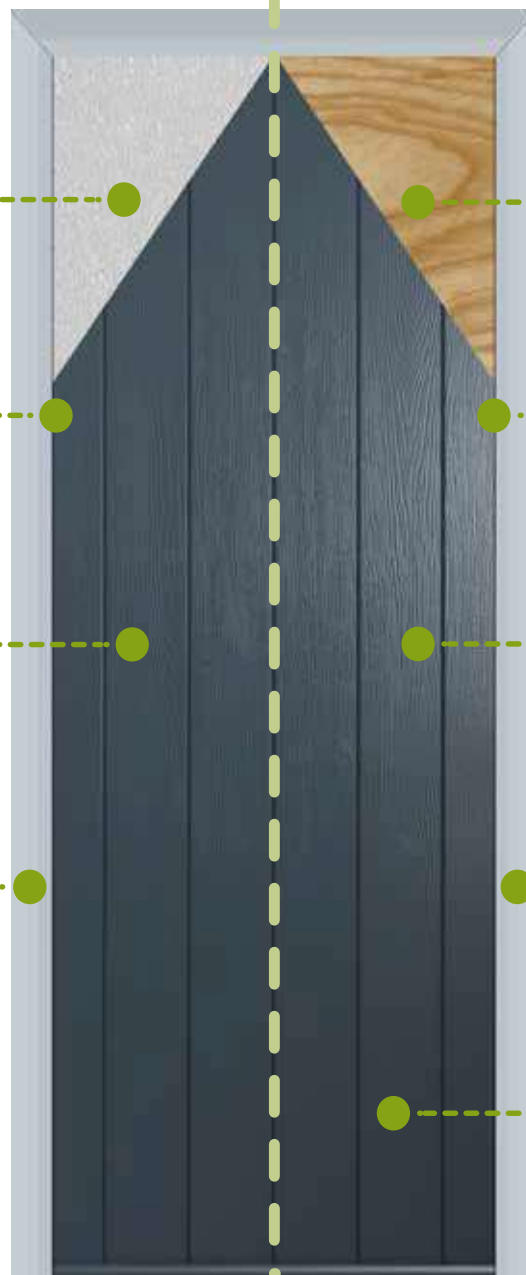
44mm Solid Timber Core (48mm including skin)
that is thermally efficient and extremely secure.

Hidden Edge Banding
so the front of your door remains a solid, glorious slab of colour.

'Through' Colour ABS Skins
made from the same durable plastic as Lego®. Also, because the entire skin is made of a solid colour, any scratches are practically hidden.

Lead Free, 5 Chamber Profile
which uses 100% recycled reinforcing. Generally, the more chambers that a profile uses, the stronger and more thermally efficient they are.

Wood Grain Effect Skin
that gives all of the aesthetics of timber, but without the time consuming maintenance.



To see our security test video visit www.solidor.co.uk/tv



Reasons to feel Safe & Secure



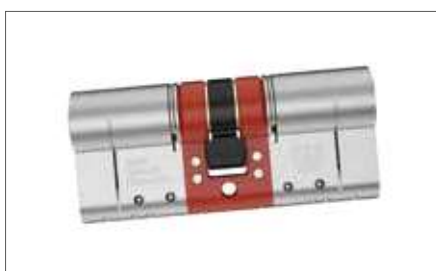
You can rest assured that with our door construction, coupled with our unique, reinforced door frame and Secured by Design locking systems, your property will be as safe as can be when you choose Solidor.



48mm Solid Timber Core

At Solidor, security and safety are amongst our highest priorities. Sadly a property is burgled in the UK every minute, but our 48mm* thick solid timber core gives you the strongest and most secure option available in a residential door.

*44mm Solid Timber Core
(48mm including skin)



The highest Standard of Cylinder

You will be glad to know that as standard, our high security cylinder, features anti-pick, anti-drill, anti-bump and anti-snap technology. Protecting you and your home.



Avantis Multi-point Locking

As standard we fit our exclusive Avantis Secured by design locking systems. With larger hooks for added strength.

Different locking systems we offer :

- Avantis multi-point lock
- Standard slam shut auto lock
- Heritage slam shut lock
- Key operated multi
- AV3 mech lock