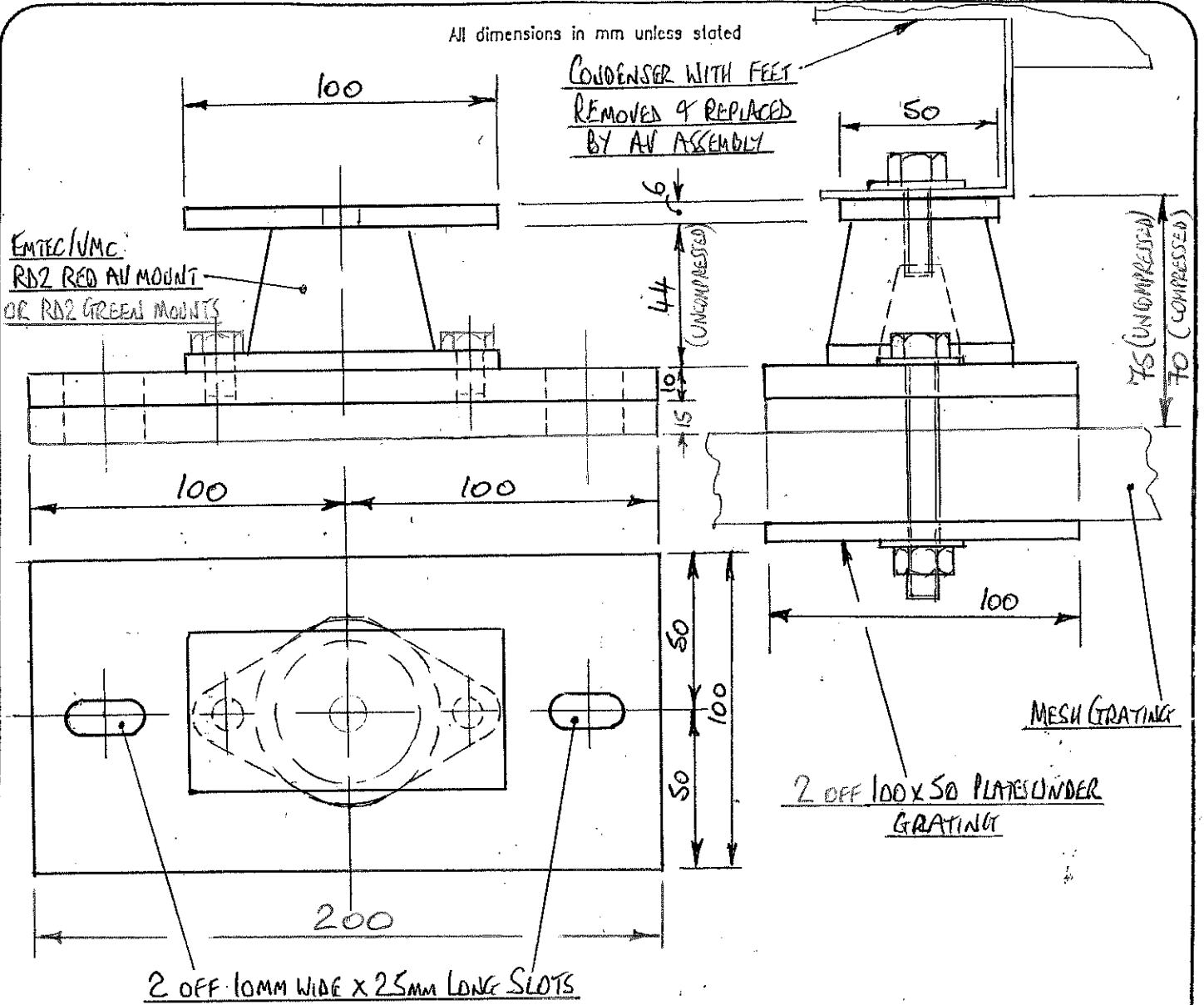



All dimensions in mm unless stated



NOTE EXISTING FEET ON MITSUBISHI PURY: P300, P250 & P200
YLM-A1

RD-2-RED MOUNTS FOR CONDENSERS WITHOUT OUTLET SILENCER.
RD-2-GREEN MOUNTS IF OUTLET SILENCER FITTED.

TITLE: <u>DETAILS OF CONDENSER MOUNTINGS.</u>		<table border="1"> <tr> <td>(A)</td> <td>B</td> <td>C</td> <td>D</td> <td>E</td> <td>F</td> <td>G</td> <td>H</td> </tr> <tr> <td colspan="8">REVISION <u>A(10/01/2018)</u></td> </tr> <tr> <td>Q</td> <td>A</td> <td>M</td> <td>I</td> <td colspan="4"></td> </tr> <tr> <td colspan="8">STATUS</td> </tr> </table>				(A)	B	C	D	E	F	G	H	REVISION <u>A(10/01/2018)</u>								Q	A	M	I					STATUS								DOCUMENT No. <u>QF/8777/AV1(A)</u>
(A)	B	C	D	E	F	G	H																															
REVISION <u>A(10/01/2018)</u>																																						
Q	A	M	I																																			
STATUS																																						
CLIENT: <u>ISG LTD.</u>								Emtec Products Ltd., Enterprise House, Blyth Road, Hayes, Middx UES 12D, Tel: 0181-548 3031 Fax 0181-573 3505																														
PROJECT: <u>ACADEMIC HOUSE.</u>									APPROVED BY:																													
ISSUE DATE: <u>10/01/2018</u>	PF No.	DRAWN BY: <u>MGR</u>	DESIGN AUTH: <u>MGR</u>																																			