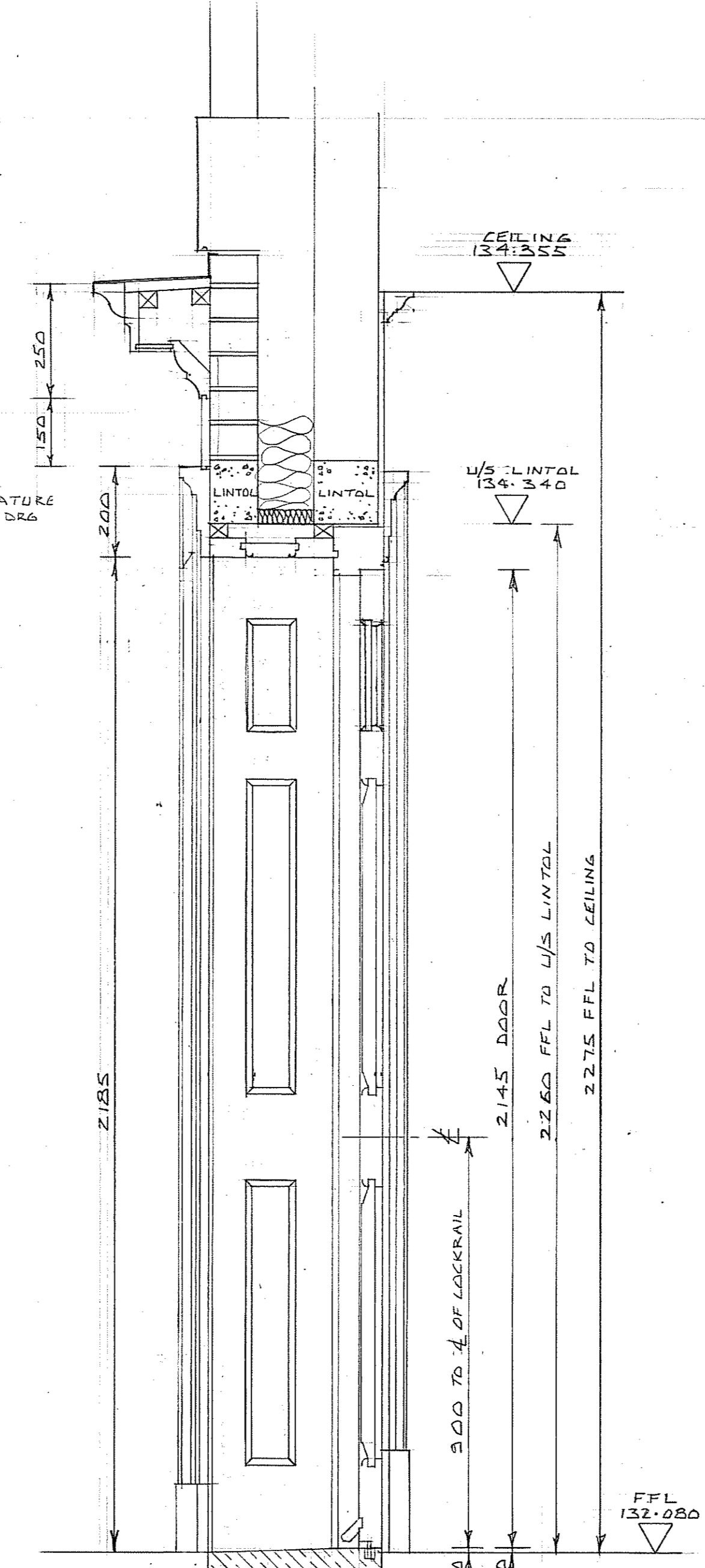
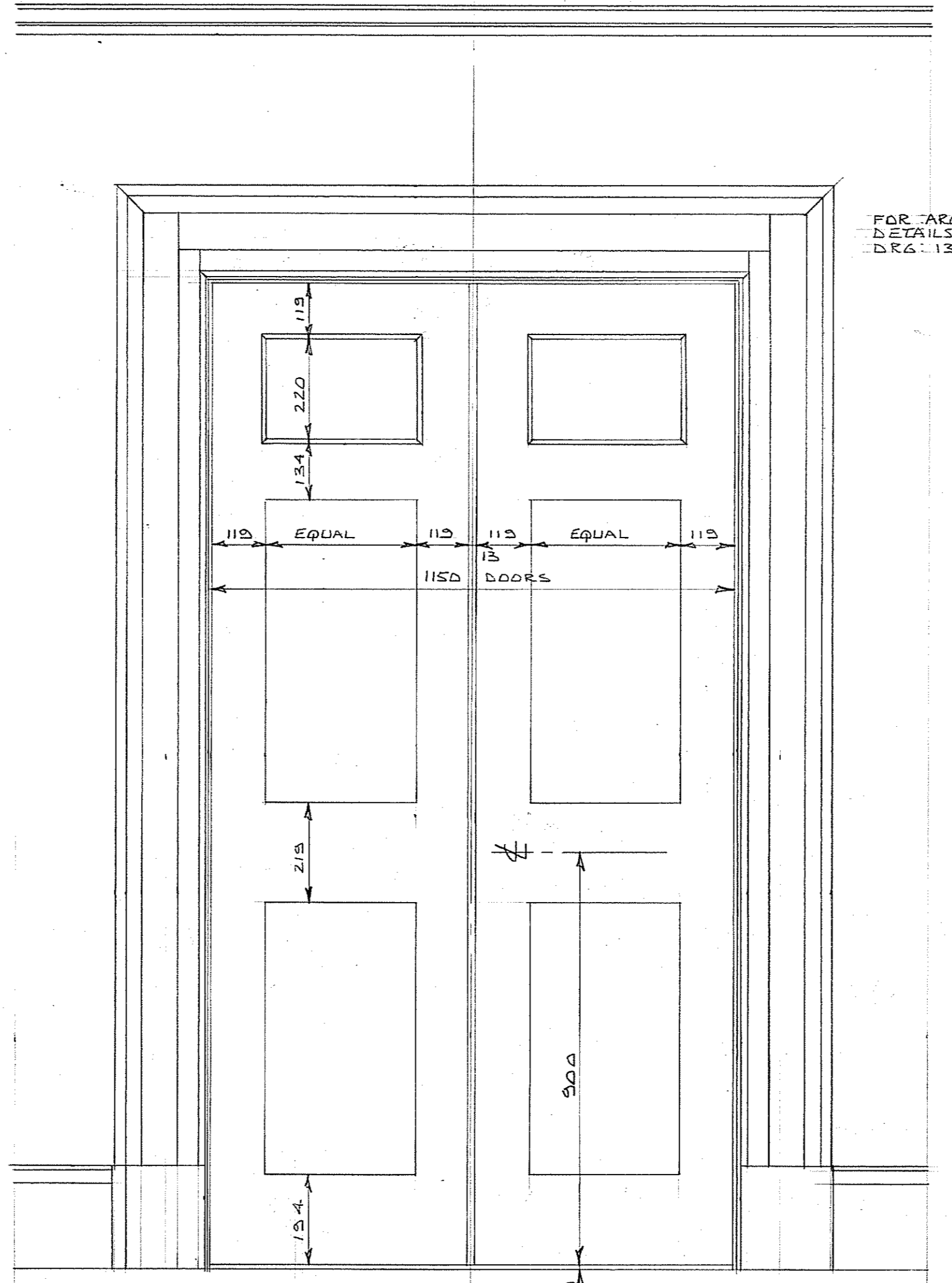


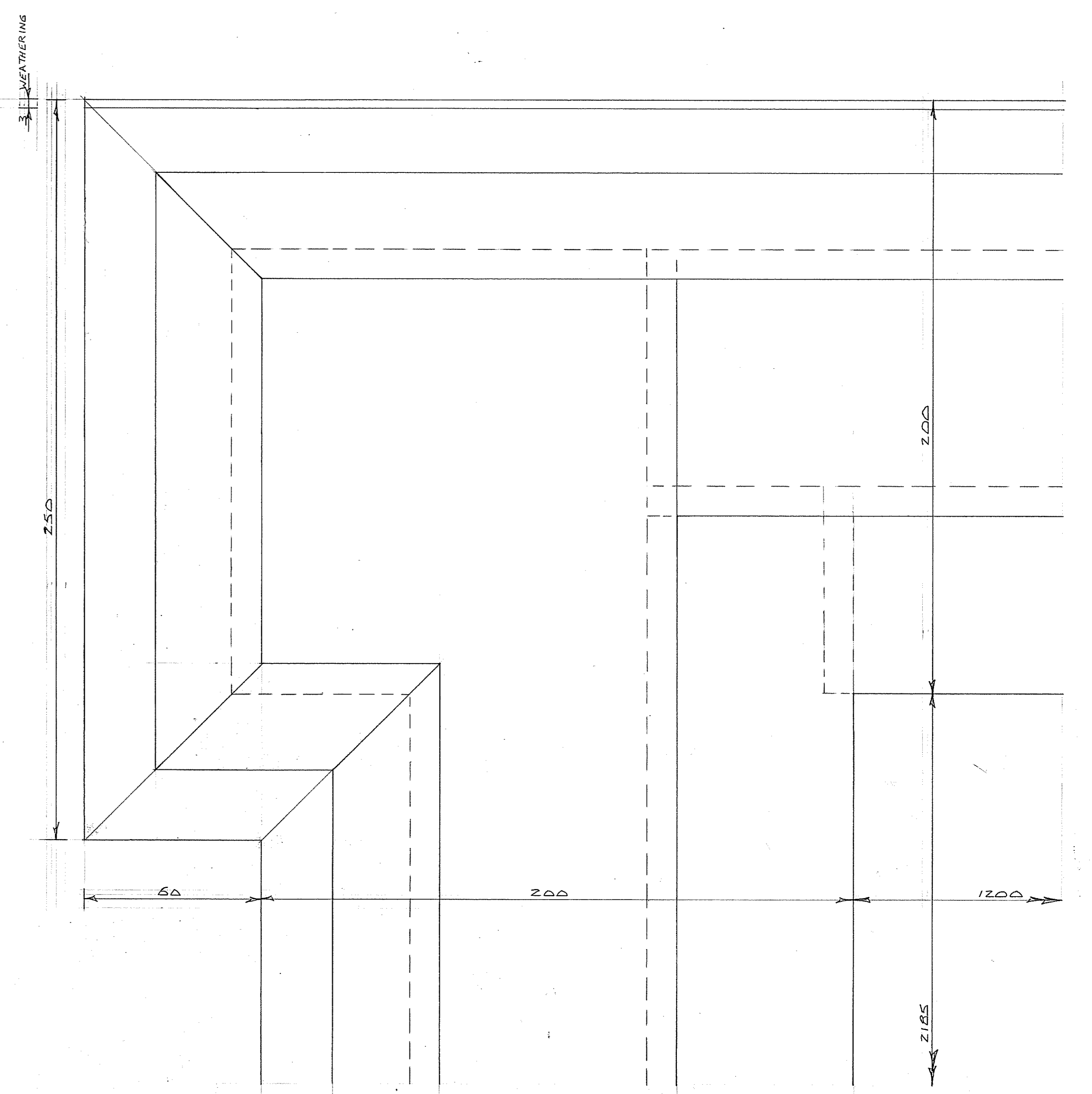
EXTERNAL ELEVATION



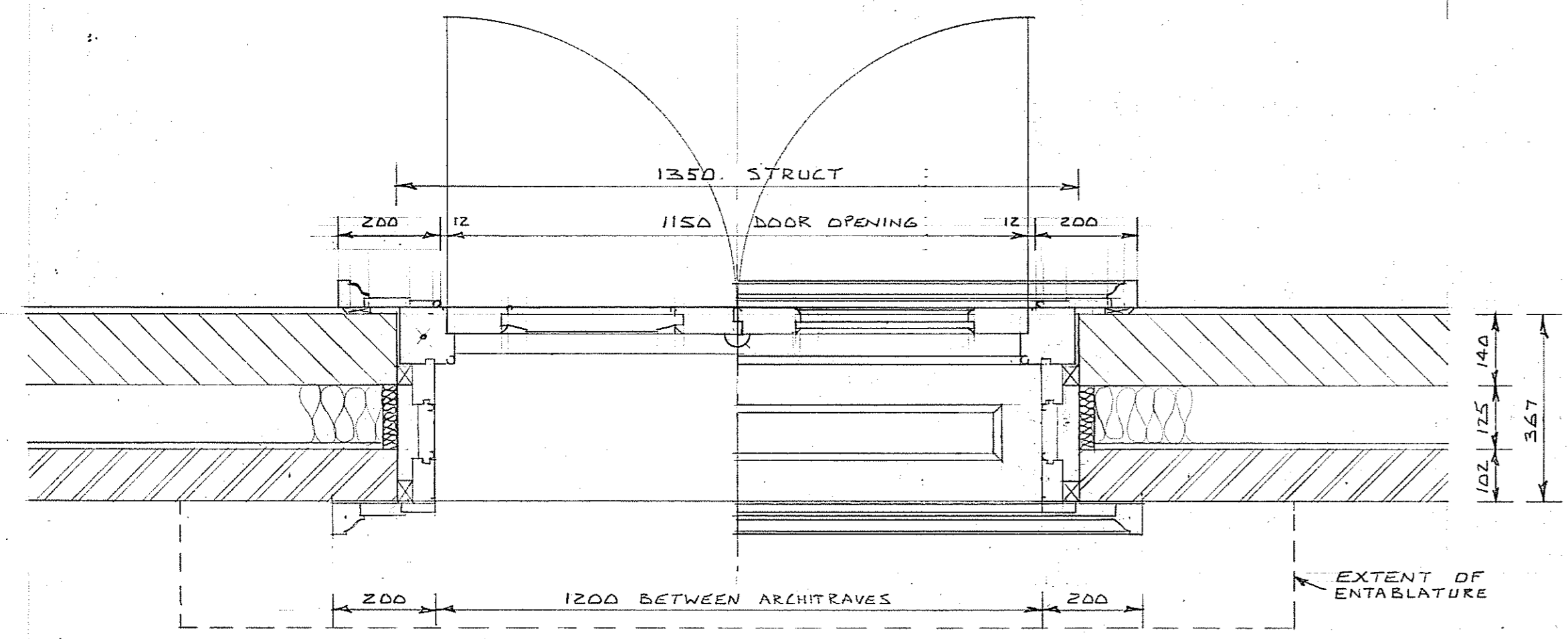
SECTION



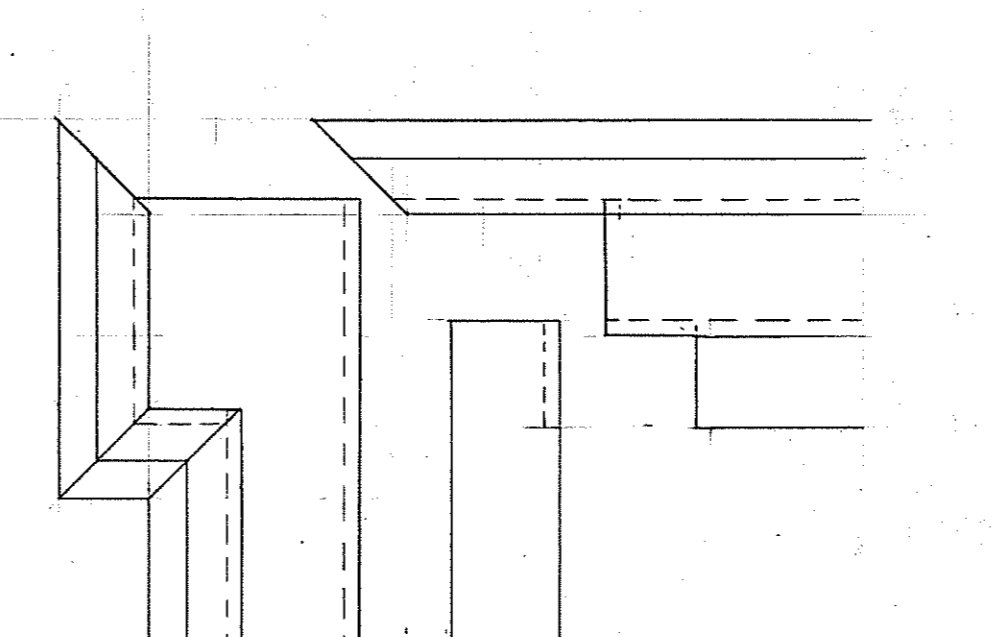
INTERNAL ELEVATION



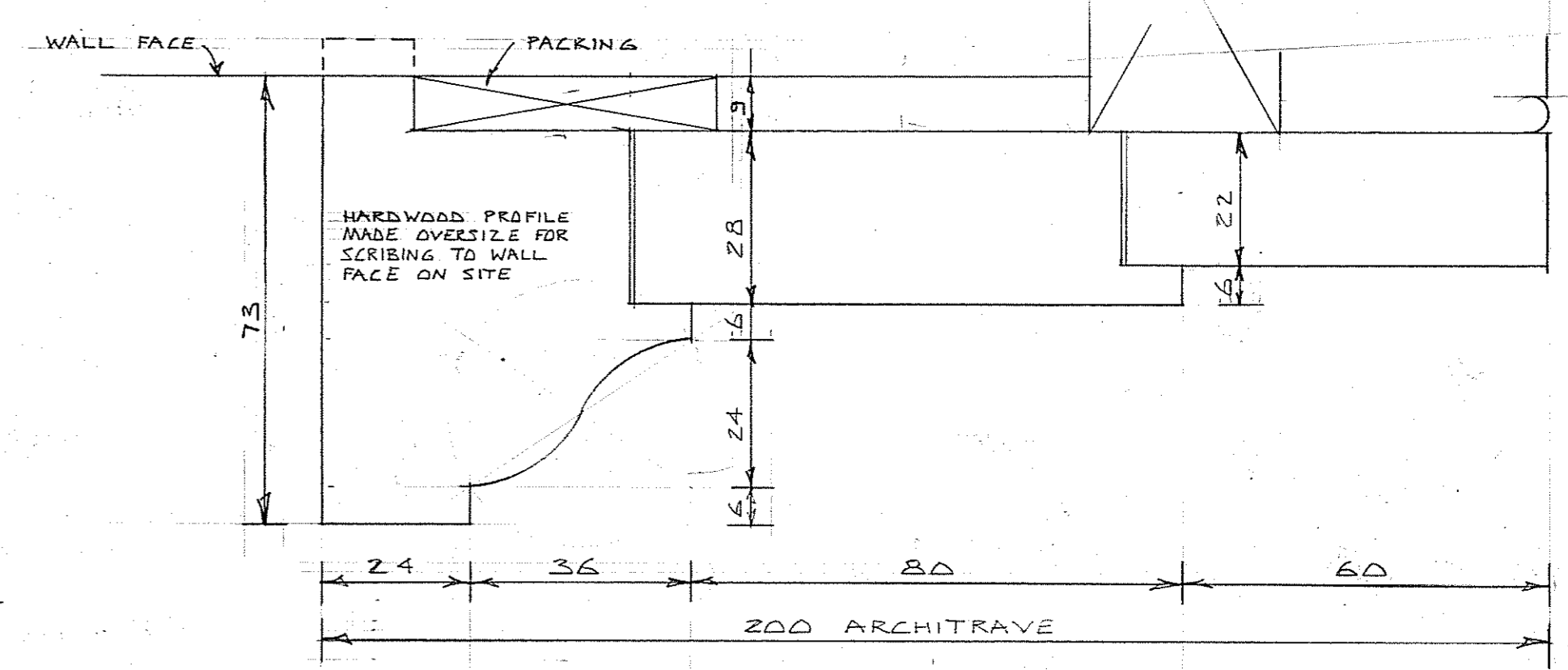
ELEVATION



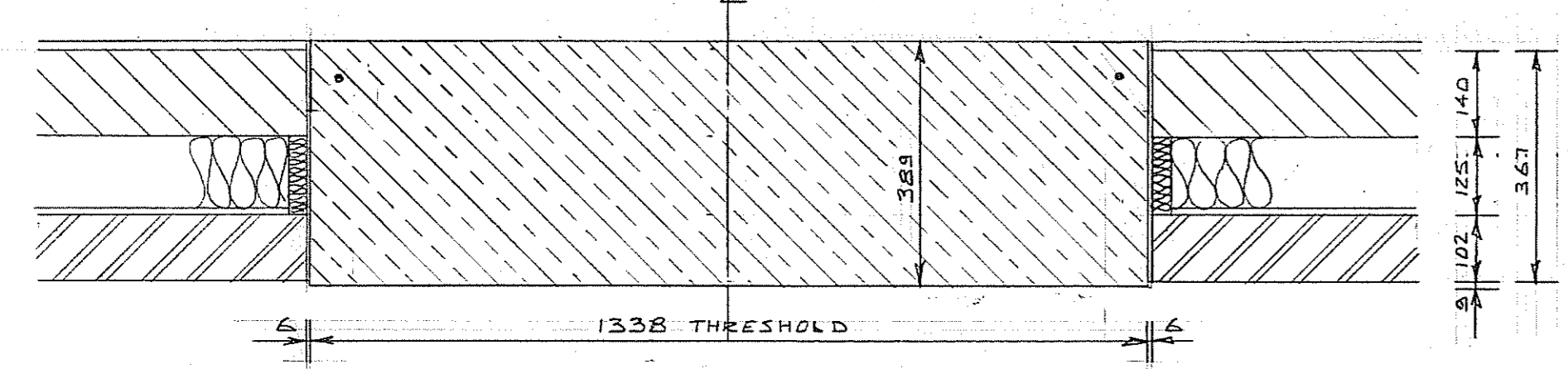
PLAN



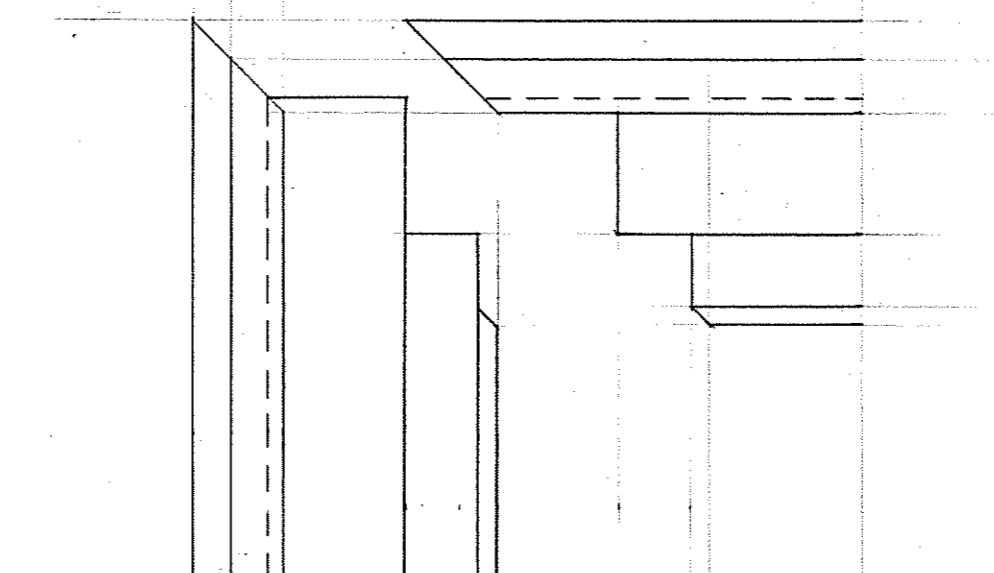
JOINTING OF EXTERNAL ARCHITRAVE



SECTION



THRESHOLD PLAN



JOINTING OF INTERNAL ARCHITRAVE

ARCHITRAVE DETAIL

REVISIONS

NO.	DESCRIPTION

QUINLAN TERRY ARCHITECTS  
 615 EXCHANGE, HIGH STREET, SETHAM, COLCHESTER, CO1 6HA  
 5TH AUGUST 2021

1370/2/28  
 DOOR EDGE DETAILS &  
 ARCHITRAVE

SCALE - 1:10 SCALE & FULL SIZE AT A0  
 TO BE READ IN CONJUNCTION WITH DRG 1370/2/25/30/31