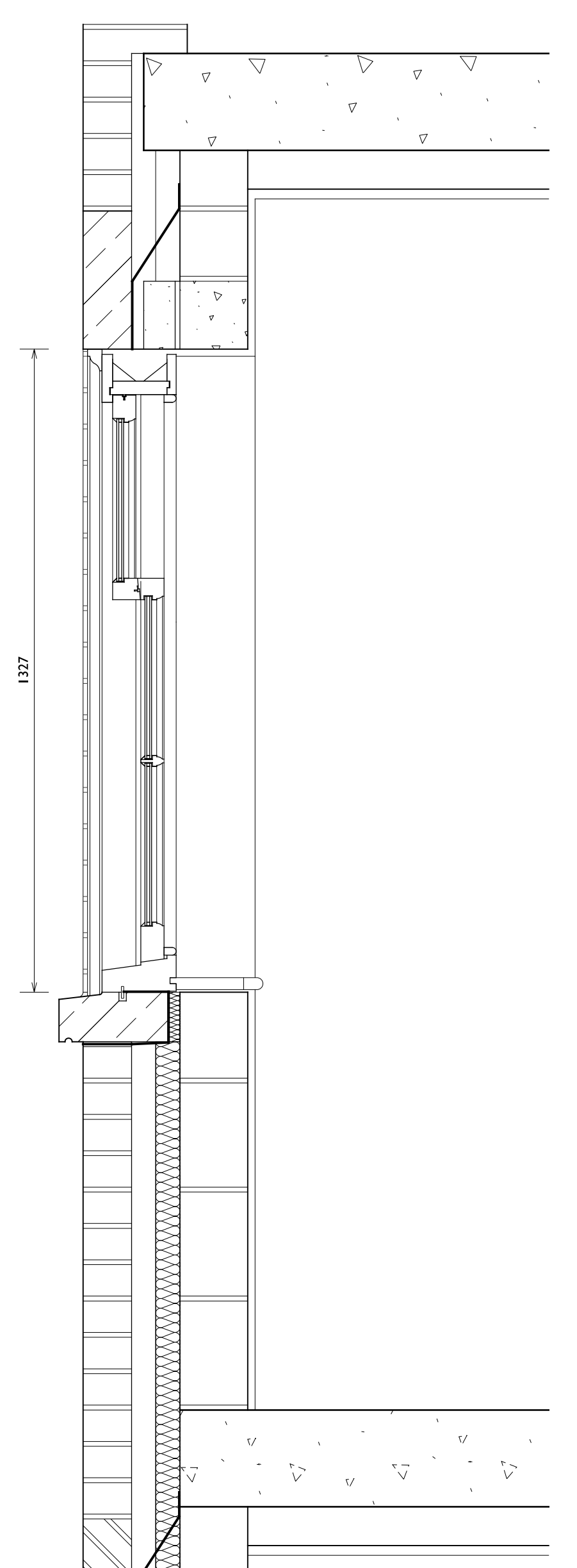
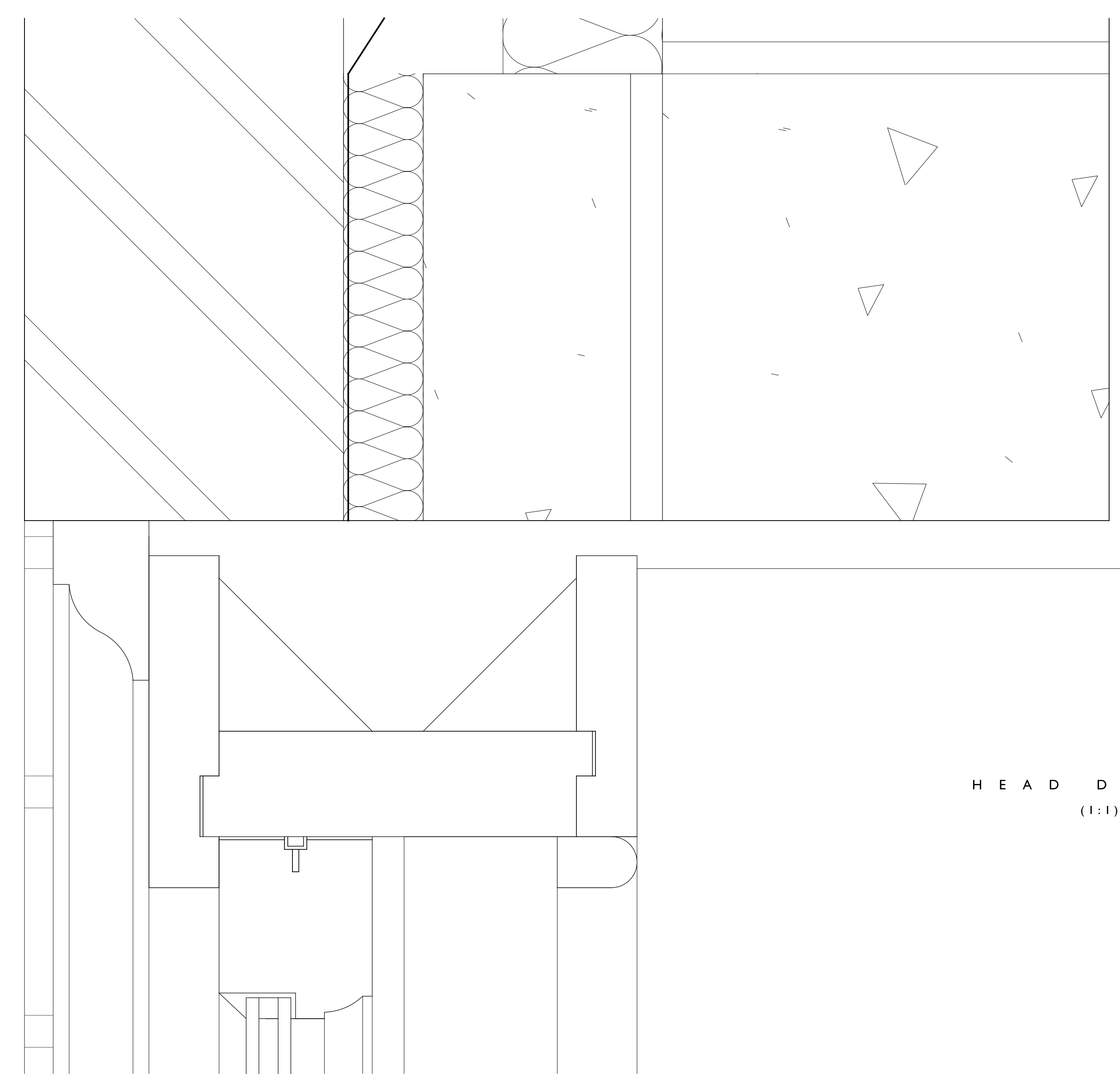


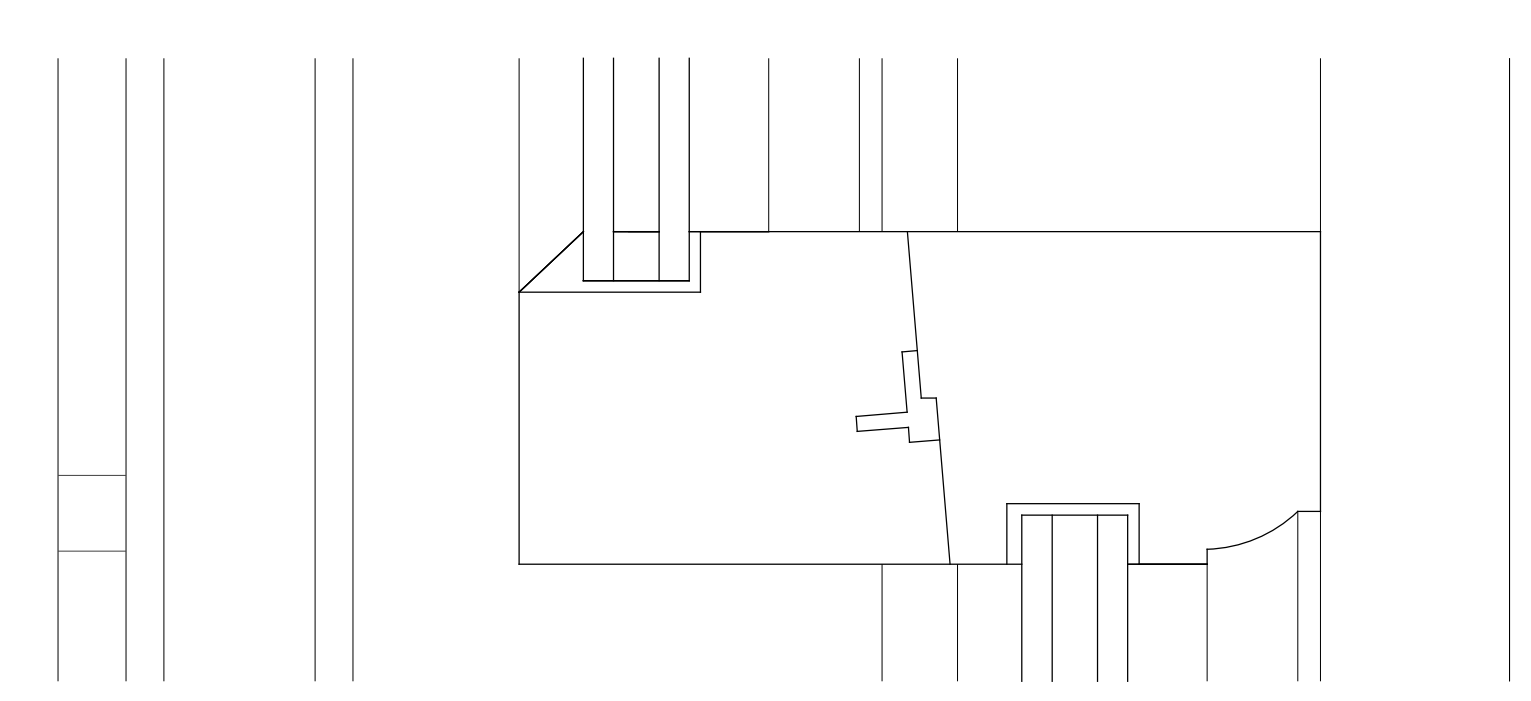
ELEVATION
(1:10)



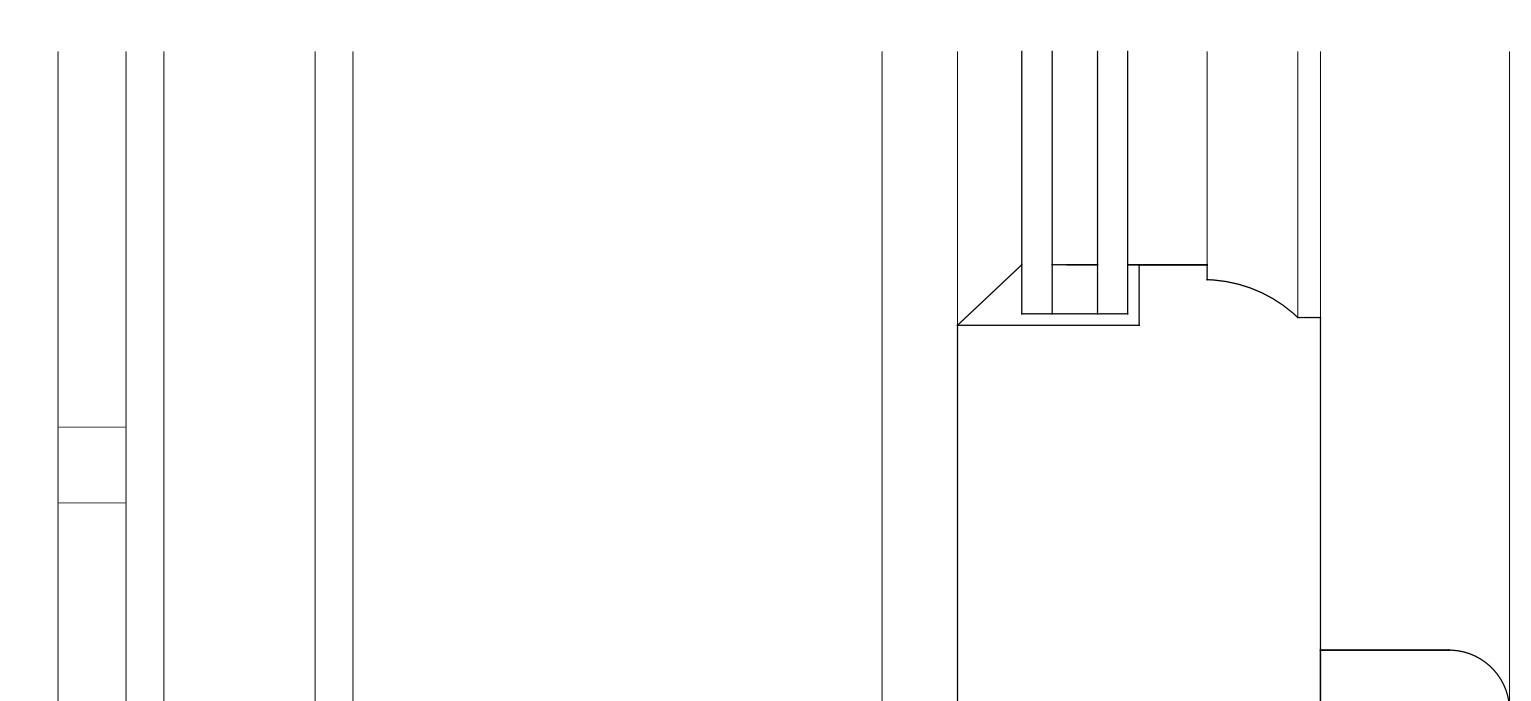
SECTION
(1:10)



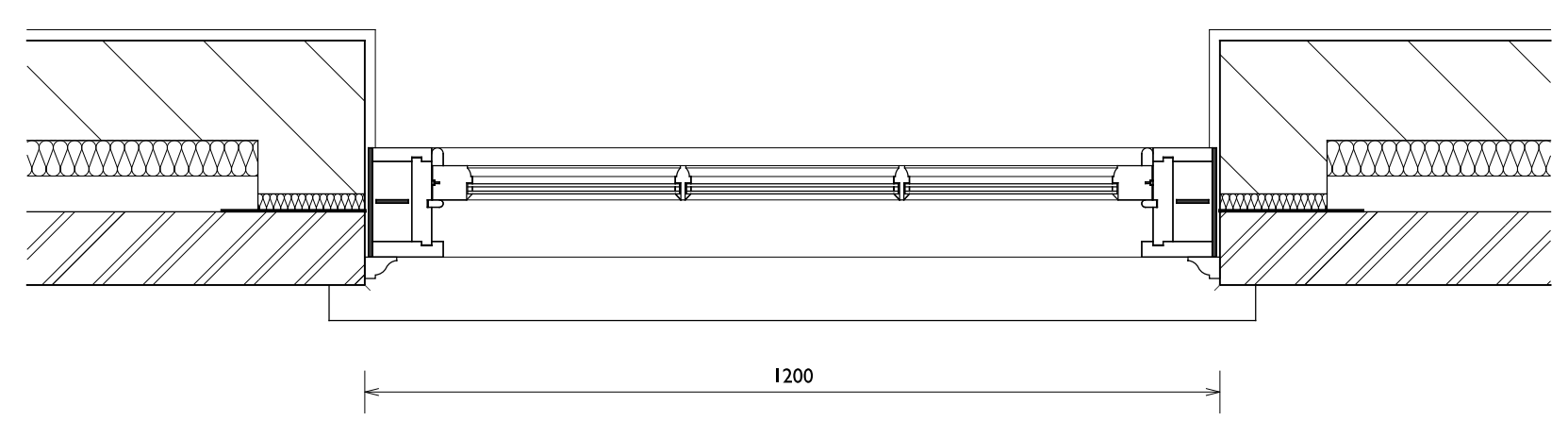
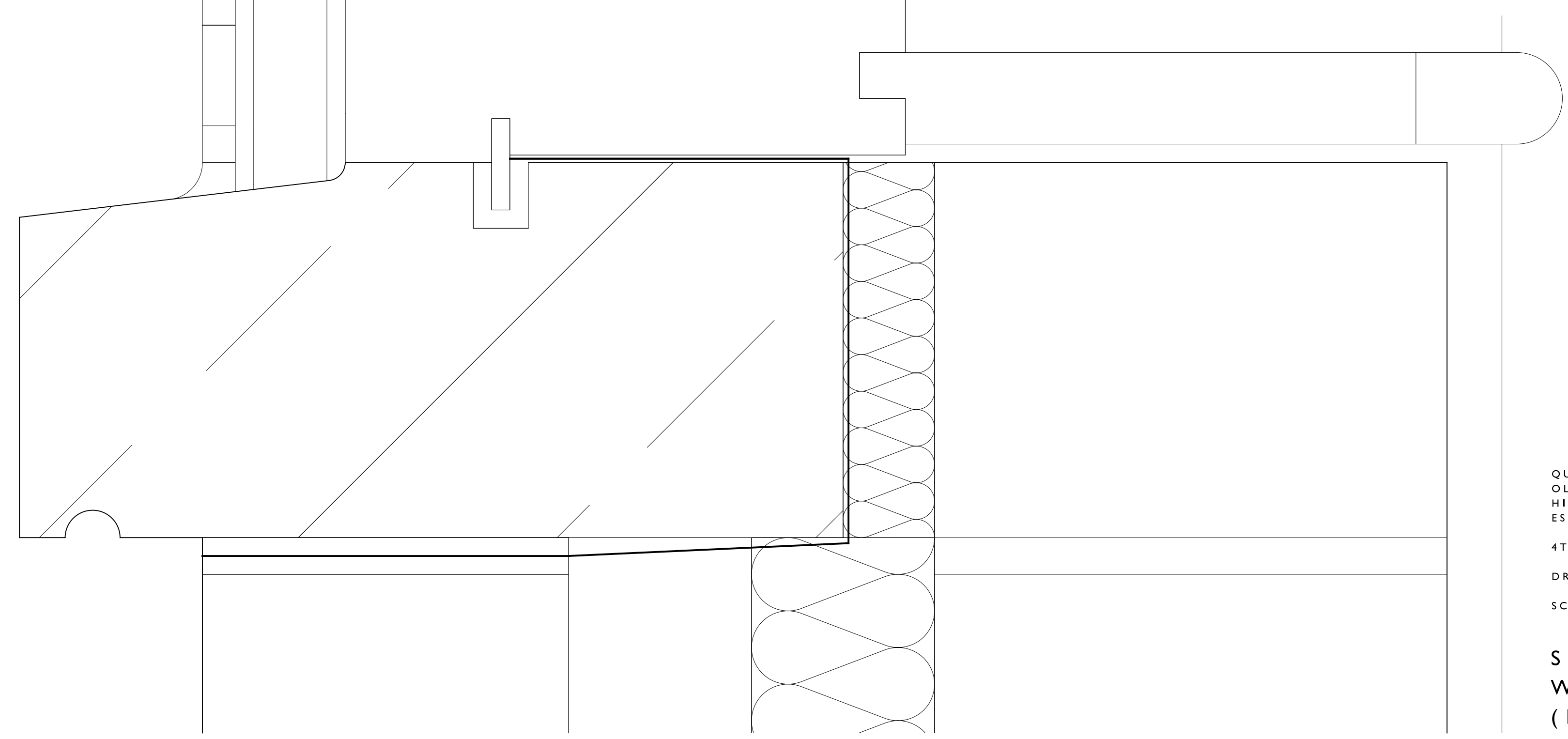
HEAD DETAIL
(1:1)



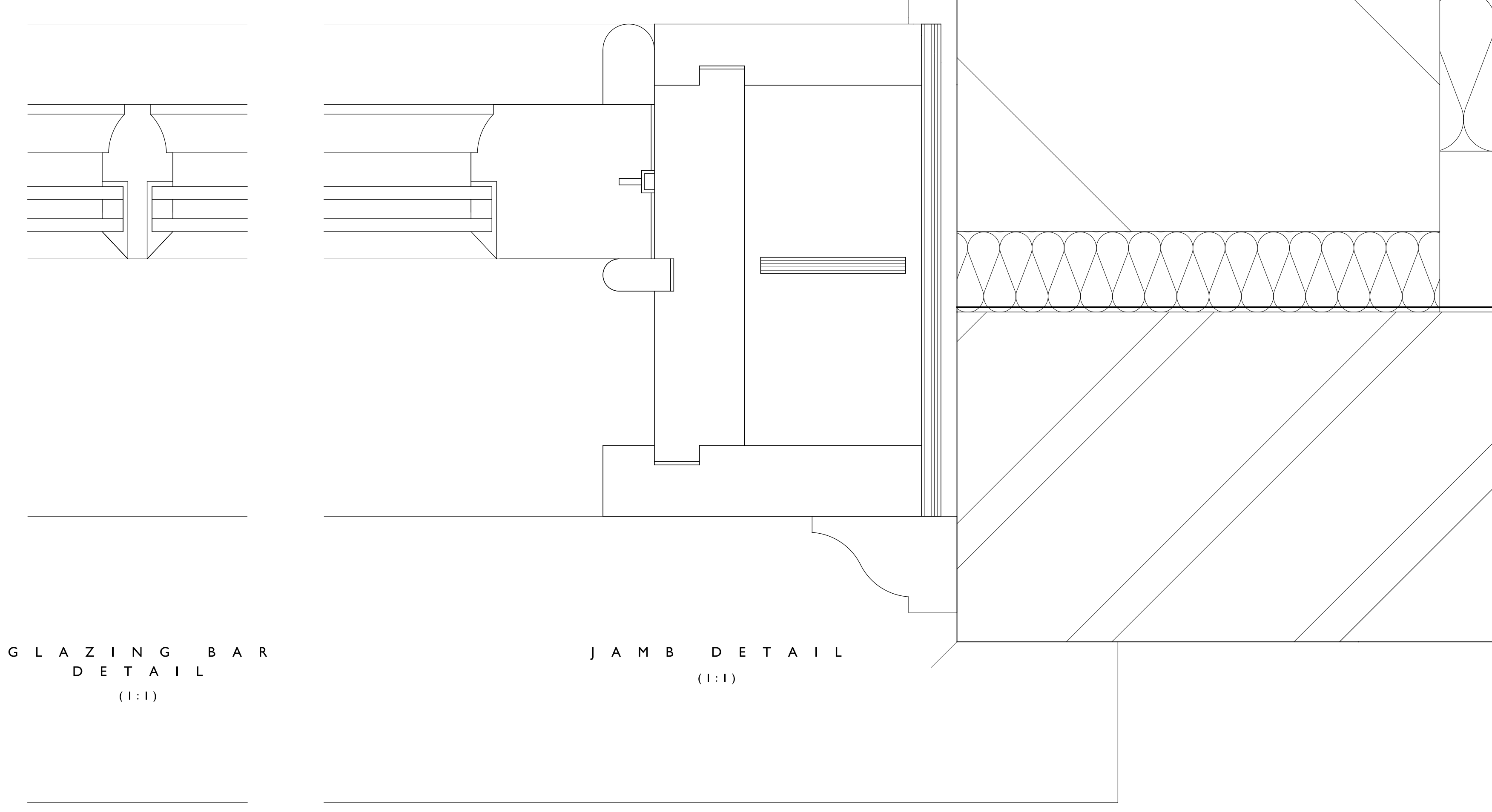
MEETING
STILE DETAIL
(1:1)



CILL DETAIL
(1:1)



PLAN
(1:10)



JAMB DETAIL
(1:1)

GLAZING BAR
DETAIL
(1:1)