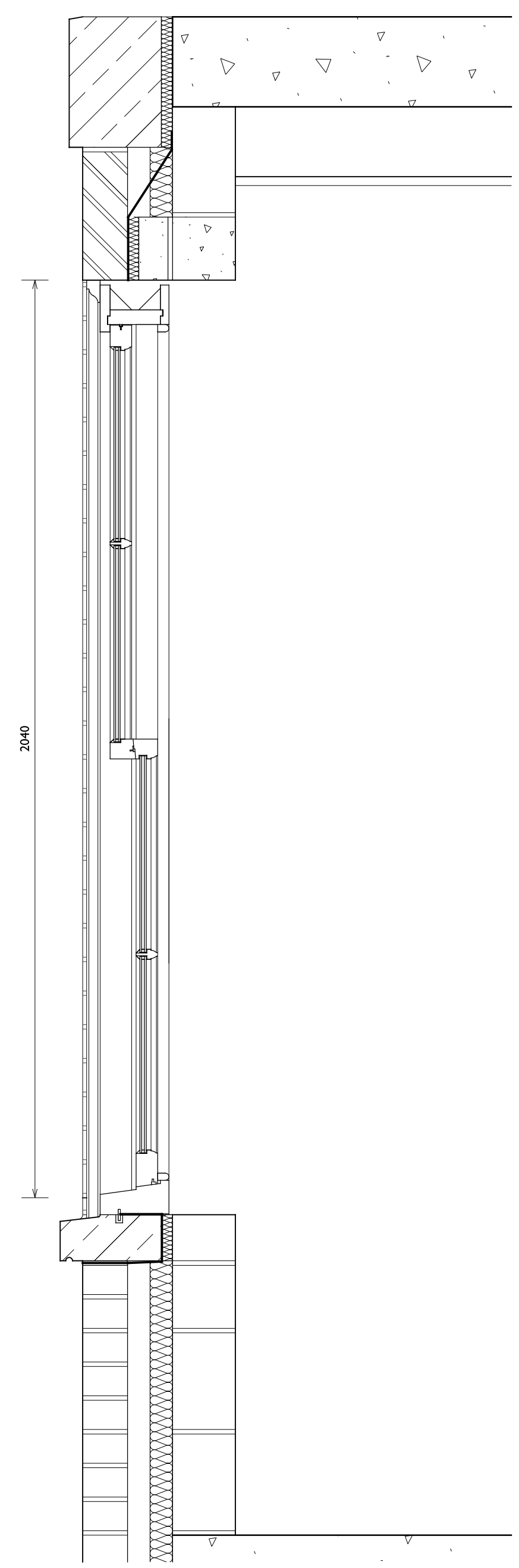
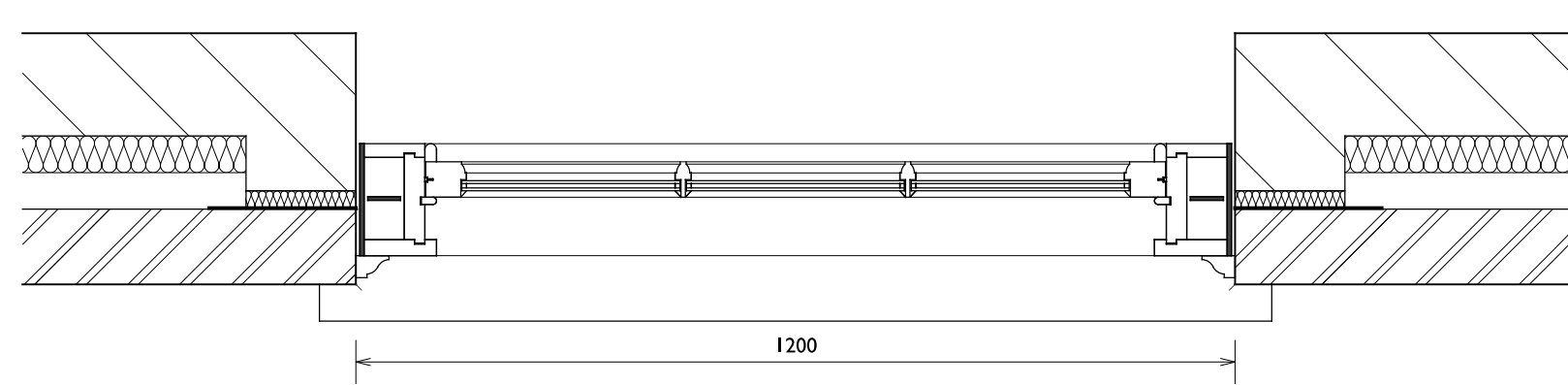


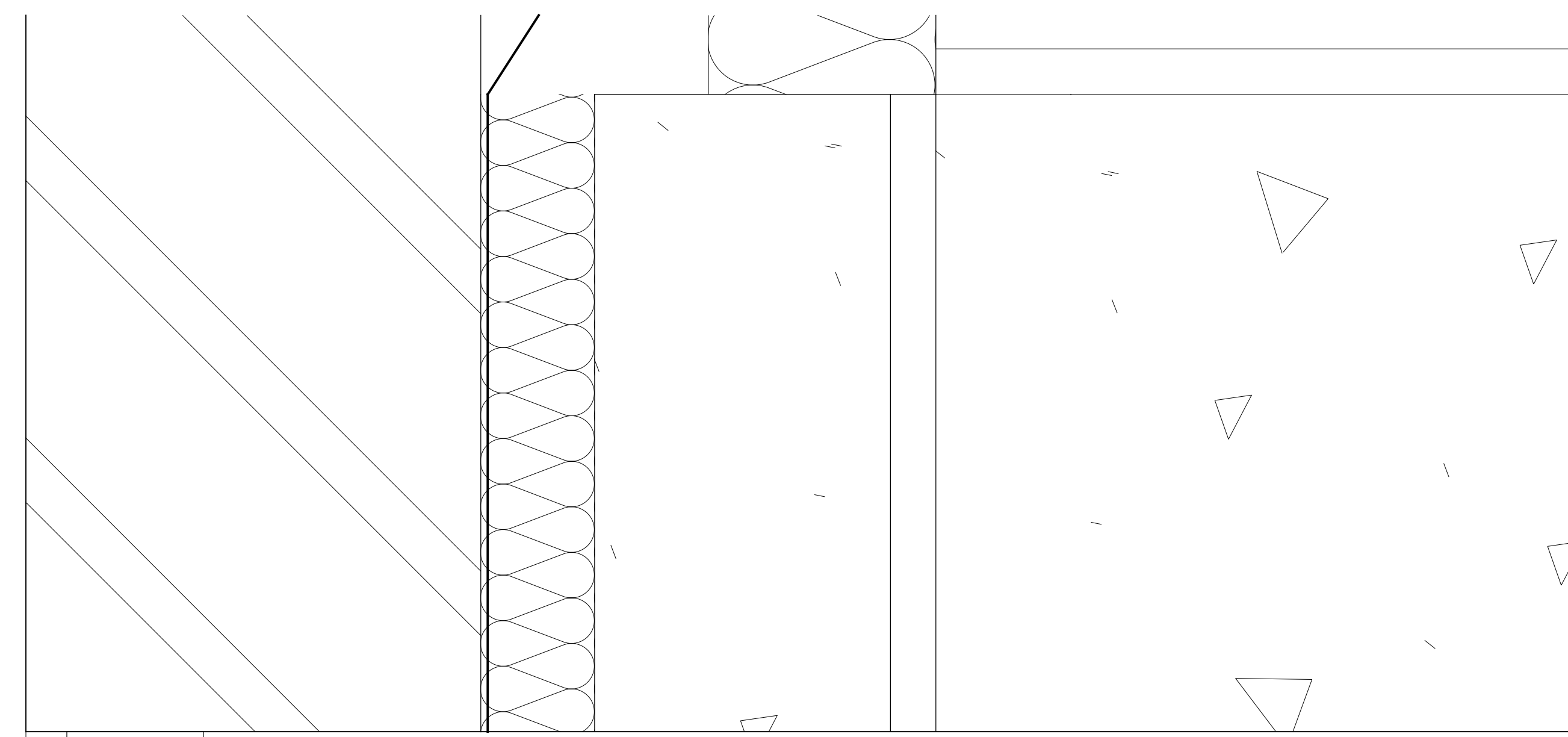
ELEVATION  
(1:10)



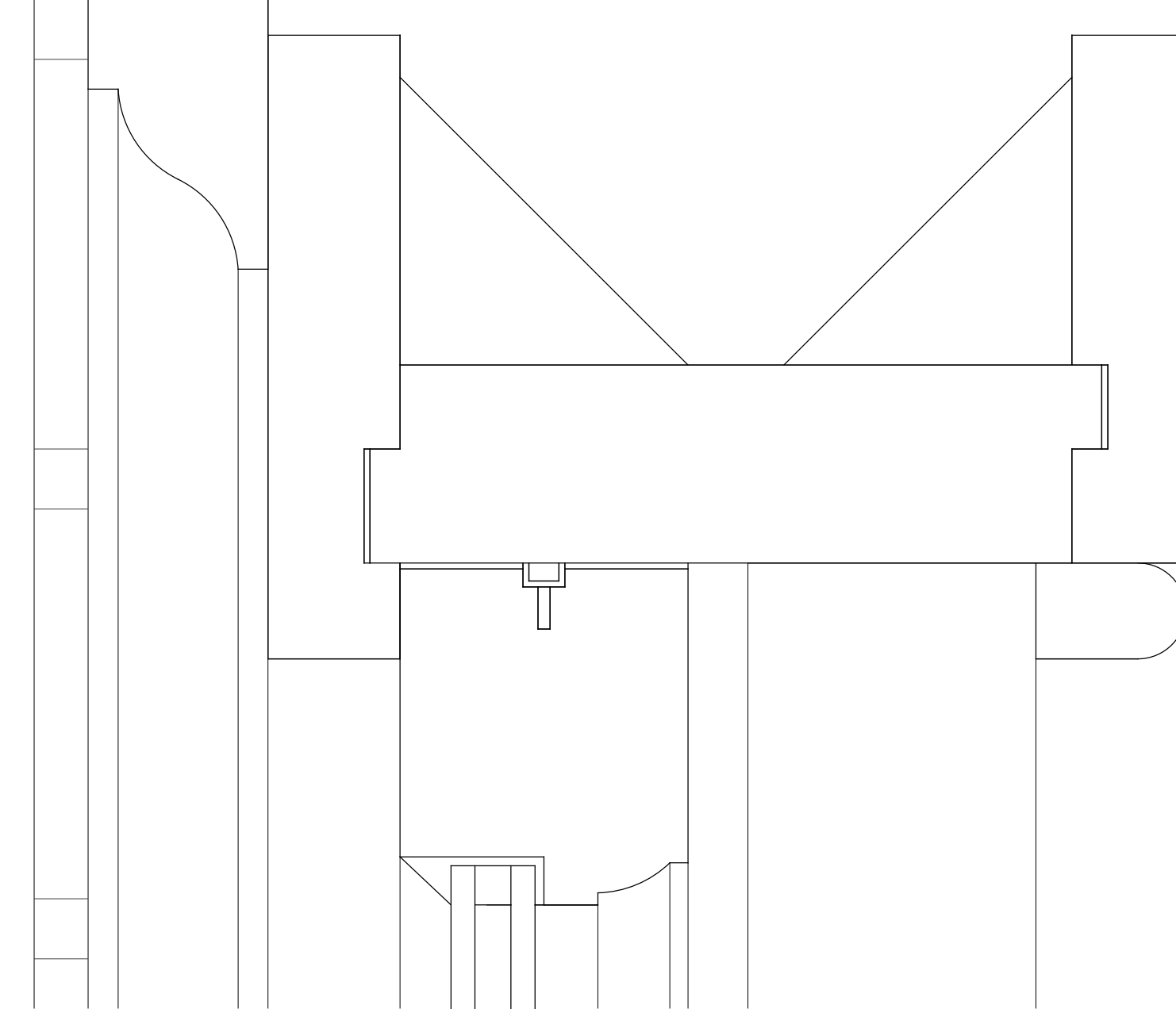
SECTION  
(1:10)



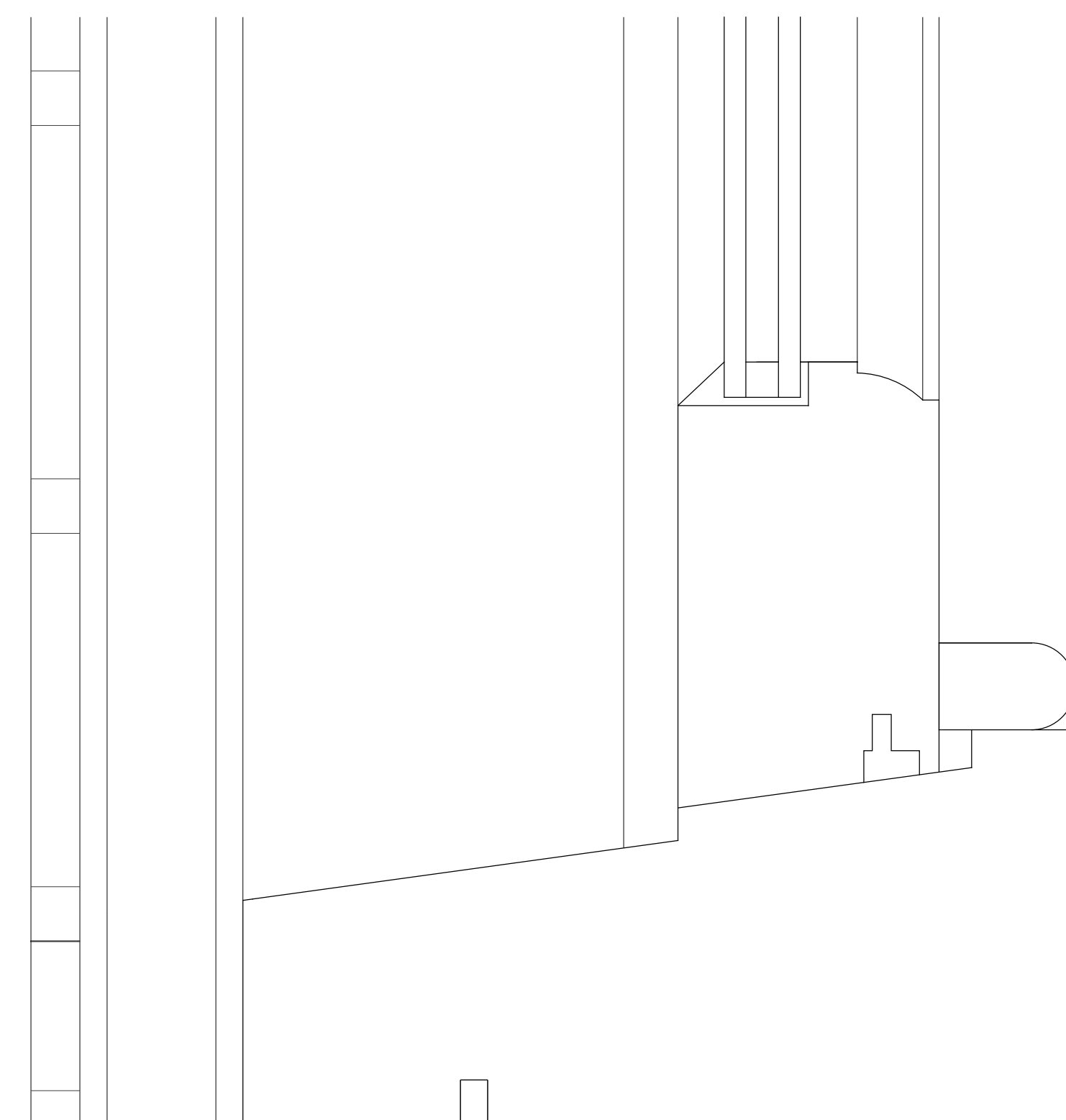
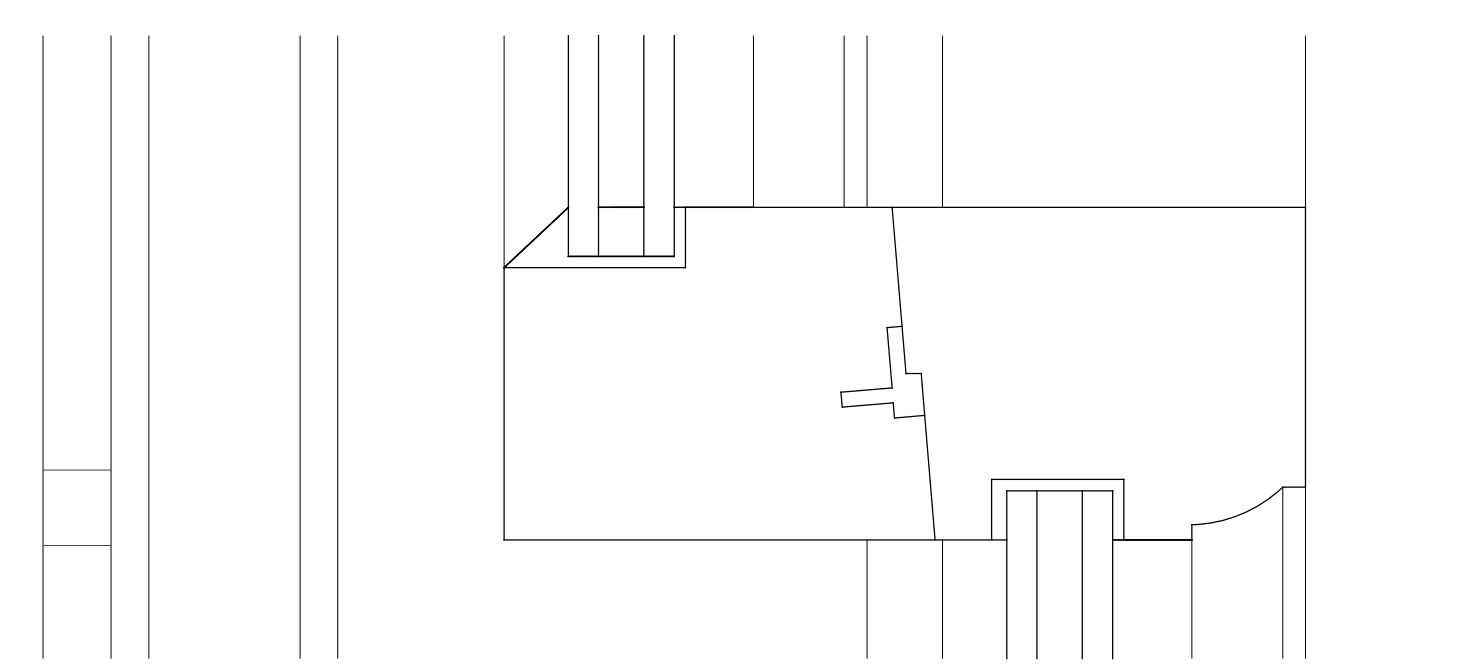
PLAN  
(1:10)



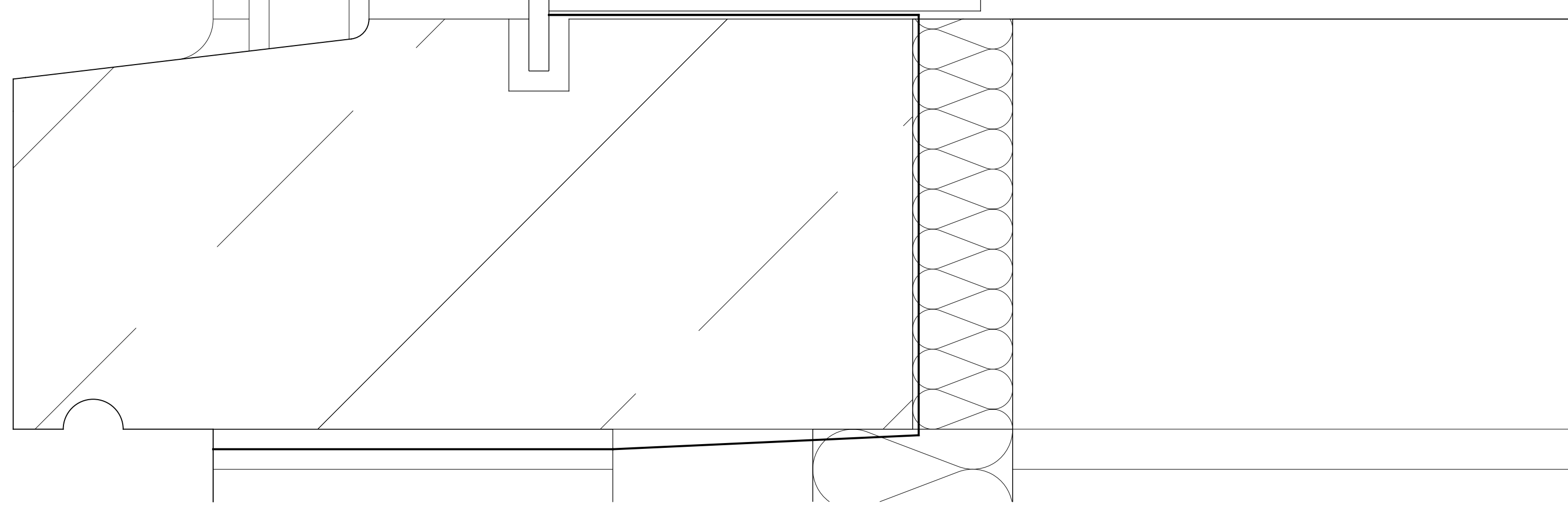
HEAD DETAIL  
(1:1)



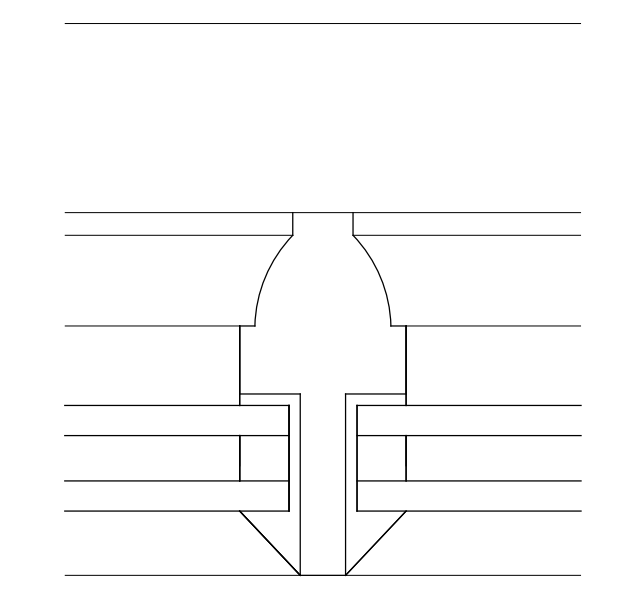
MEETING  
STILE DETAIL  
(1:1)



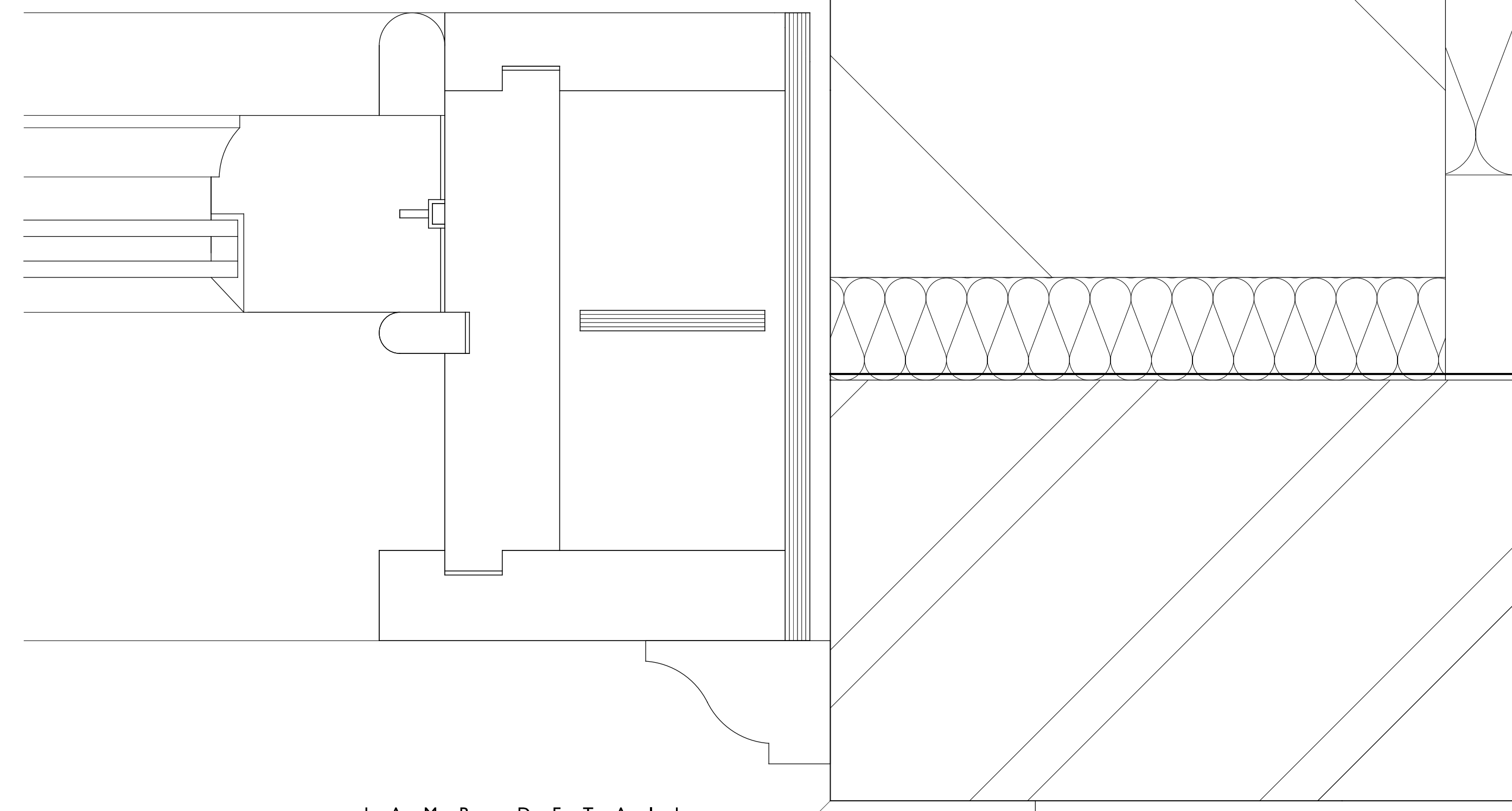
CILL DETAIL  
(1:1)



QUINLAN TERRY ARCHITECTS LLP  
 OLD EXCHANGE,  
 HIGH STREET, DEBHAM,  
 ESSEX, CO7 6HA  
 4TH MARCH 2020  
 DRAWING No.: **1370/2/2**  
 SCALE: 1:10 & 1:1 @ A0  
**GROUND FLOOR  
 EAST WINDOW  
 DETAILS (HOUSE 1)**



GLAZING BAR  
DETAIL  
(1:1)



JAMB DETAIL  
(1:1)