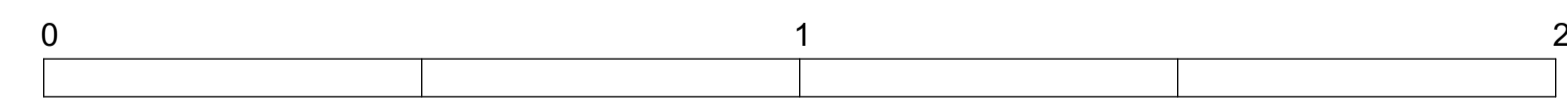
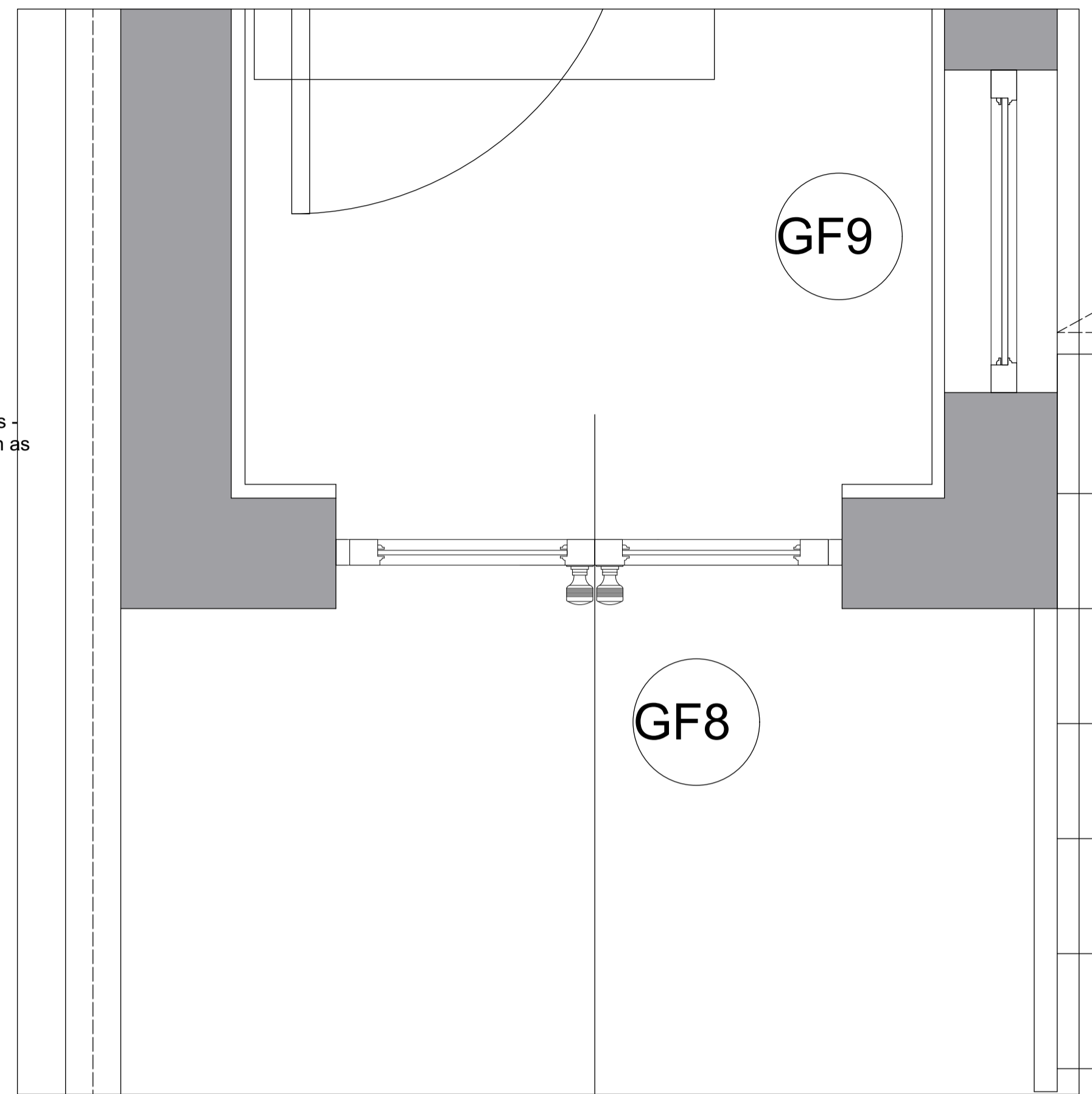


○ Rear Elevation Porch Door
1:10



Glazing / single pane glass -
or conservation glass such as
Histoglass

Wooden Frame

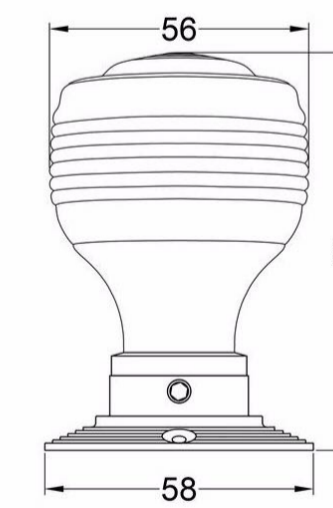


○ Plan of Porch Door
1:10

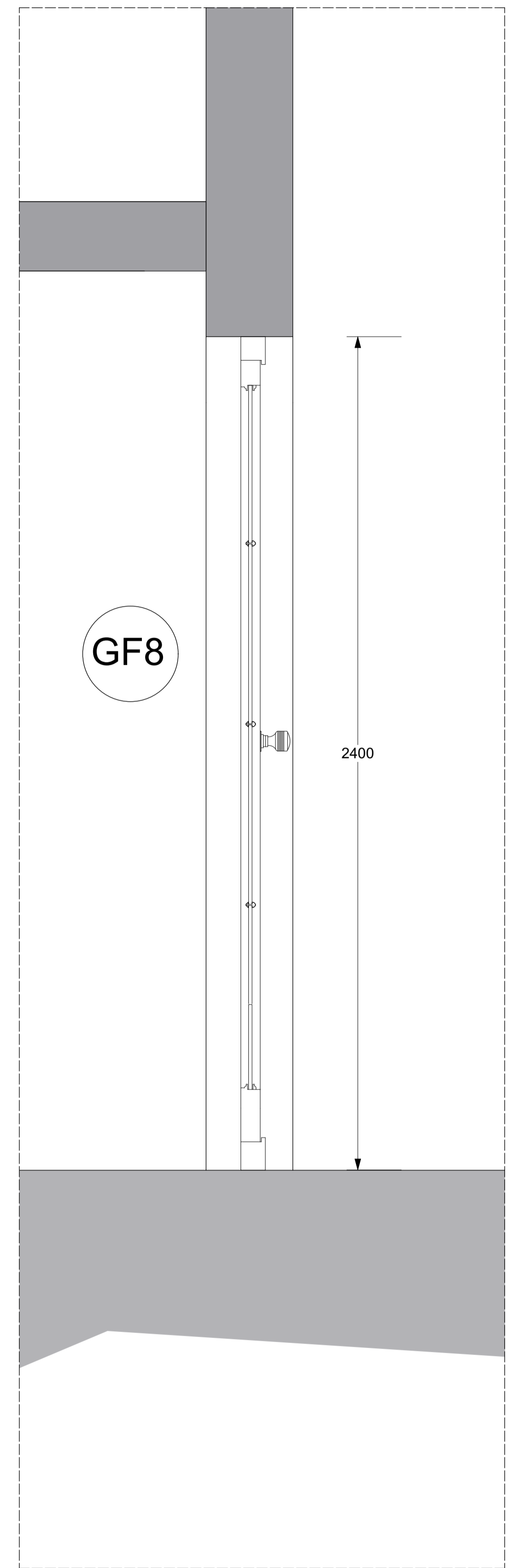


Manufacturer's image
of wooden door

Georgian Beehive Handle



Manufacturer images
of door handles



○ Section AA of Porch Door
1:10

GENERAL NOTES

- Responsibility is not accepted for errors made by others in scaling from this drawing
- Figured dimensions MUST be checked on site by the contractor at the outset of building work and discrepancies reported immediately to the architect / contract administrator or client as appropriate
- Responsibility will not be accepted for work started before relevant statutory approvals are in place
- Check this drawing is the latest revision before starting work: If in doubt or additional clarification is needed - ASK
- The Thinking Hand Studio Ltd retain copyright for their design work

- GF8 & GF9 Amendment Details

24.03.21- REVA - Material labels
10.09.21- REVB - Wooden Frames

JOB
18 Grove Terrace, NW5 1PH - Details

Title	Dwg.	Rev.
Proposed Porch Door Details	1439/D006	B

Date	Scale
10.09.21	1:10@ A1

TTHS ARCHITECTS

e: info@thethinkinghandstudio.com
www.tthsarchitects.com

