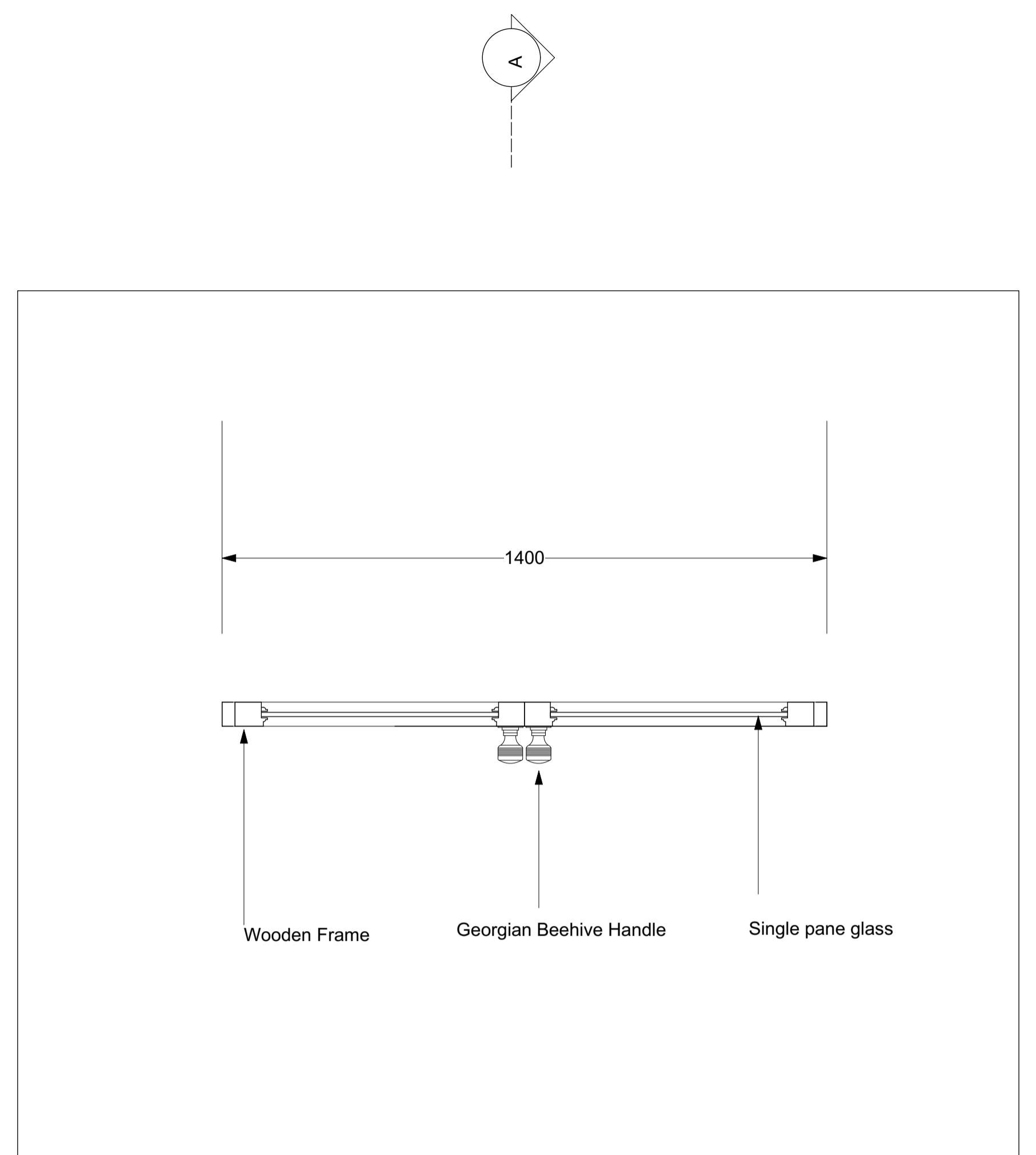
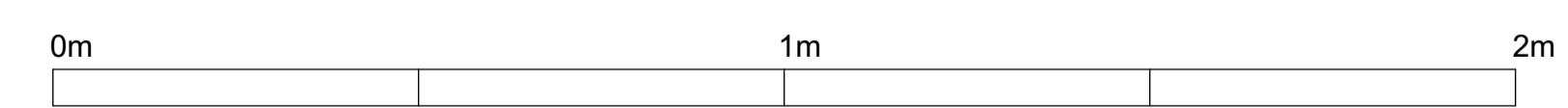
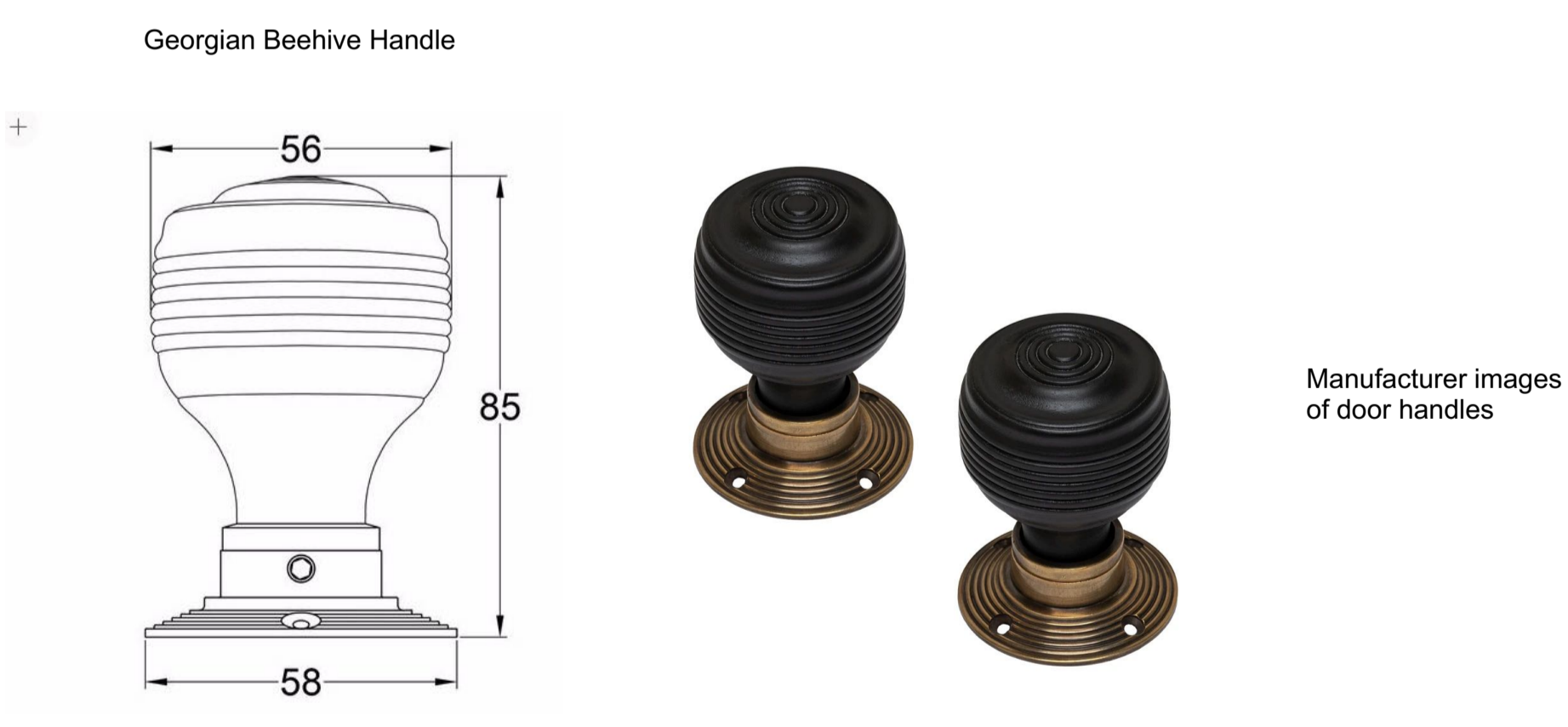


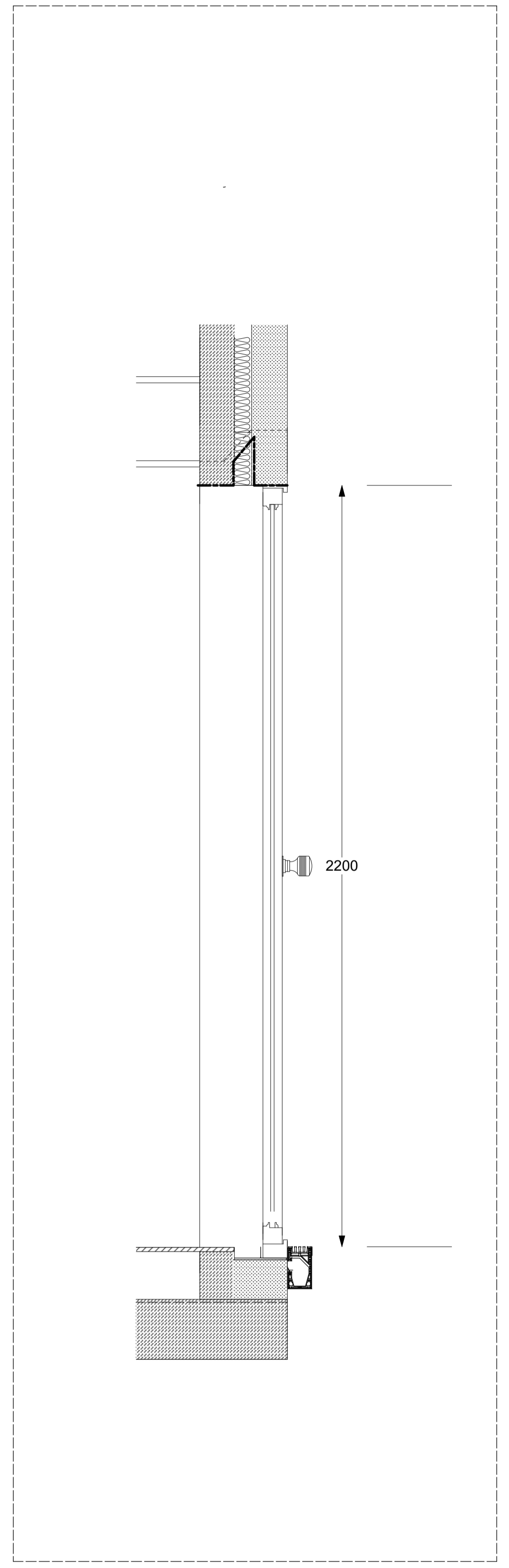
○ Rear Elevation of LG Door
1:10



○ Plan of LG Door
1:10



Manufacturer images of door handles



○ Section AA of LG Doors
1:10

GENERAL NOTES

- Responsibility is not accepted for errors made by others in scaling from this drawing
- Figured dimensions MUST be checked on site site by the contractor at the outset of building work and discrepancies reported immediately to the architect / contract administrator or client as appropriate
- Responsibility will not be accepted for work started before relevant statutory approvals are in place
- Check this drawing is the latest revision before starting work: If in doubt or additional clarification is needed - ASK
- The Thinking Hand Studio Ltd retain copyright for their design work

REV A - 10.09.21 - Wooden traditional doors

JOB
18 Grove Terrace, NW5 1PH - Details

| | | |
|---|-----------|------|
| Title | Dwg. | Rev. |
| Proposed Rear Lower Ground Door Details | 1439/D002 | A |
| Date | Scale | |
| 10.09.21 | 1:10@ A1 | |

TTHS ARCHITECTS
e: info@thethinkinghandstudio.com
www.tthsarchitects.com

