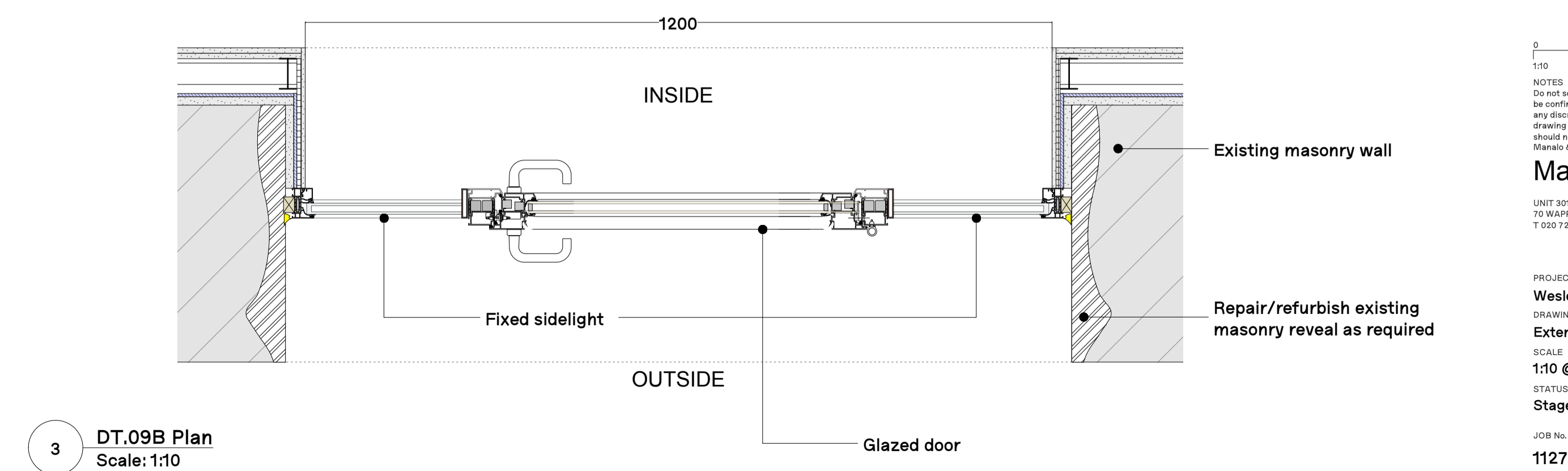
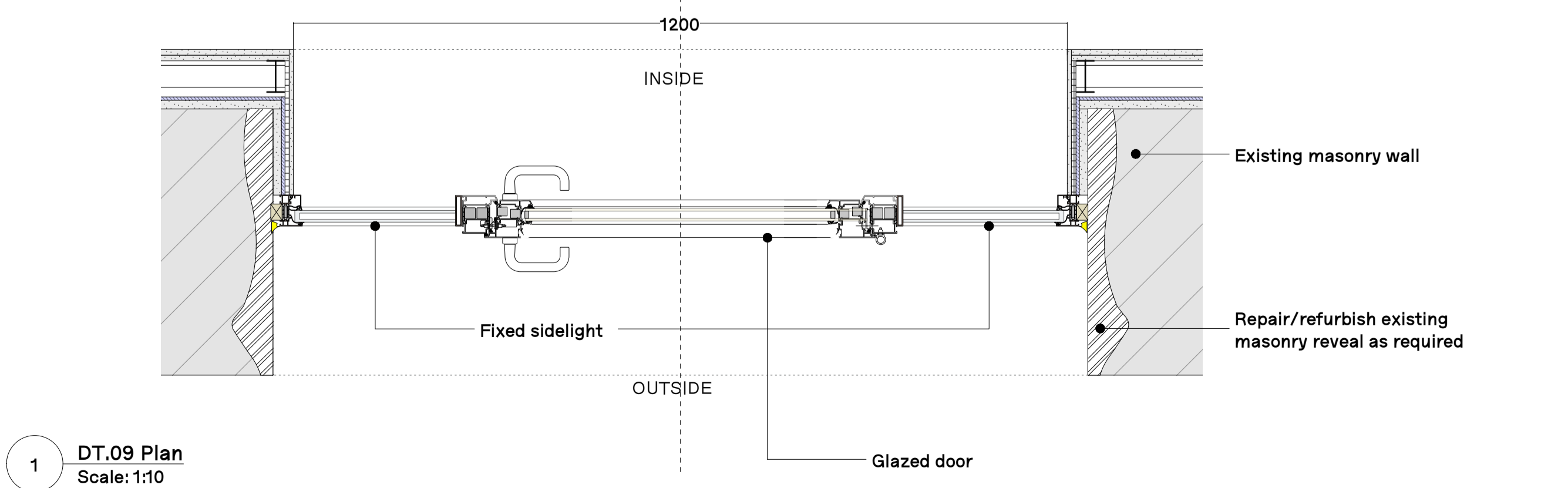
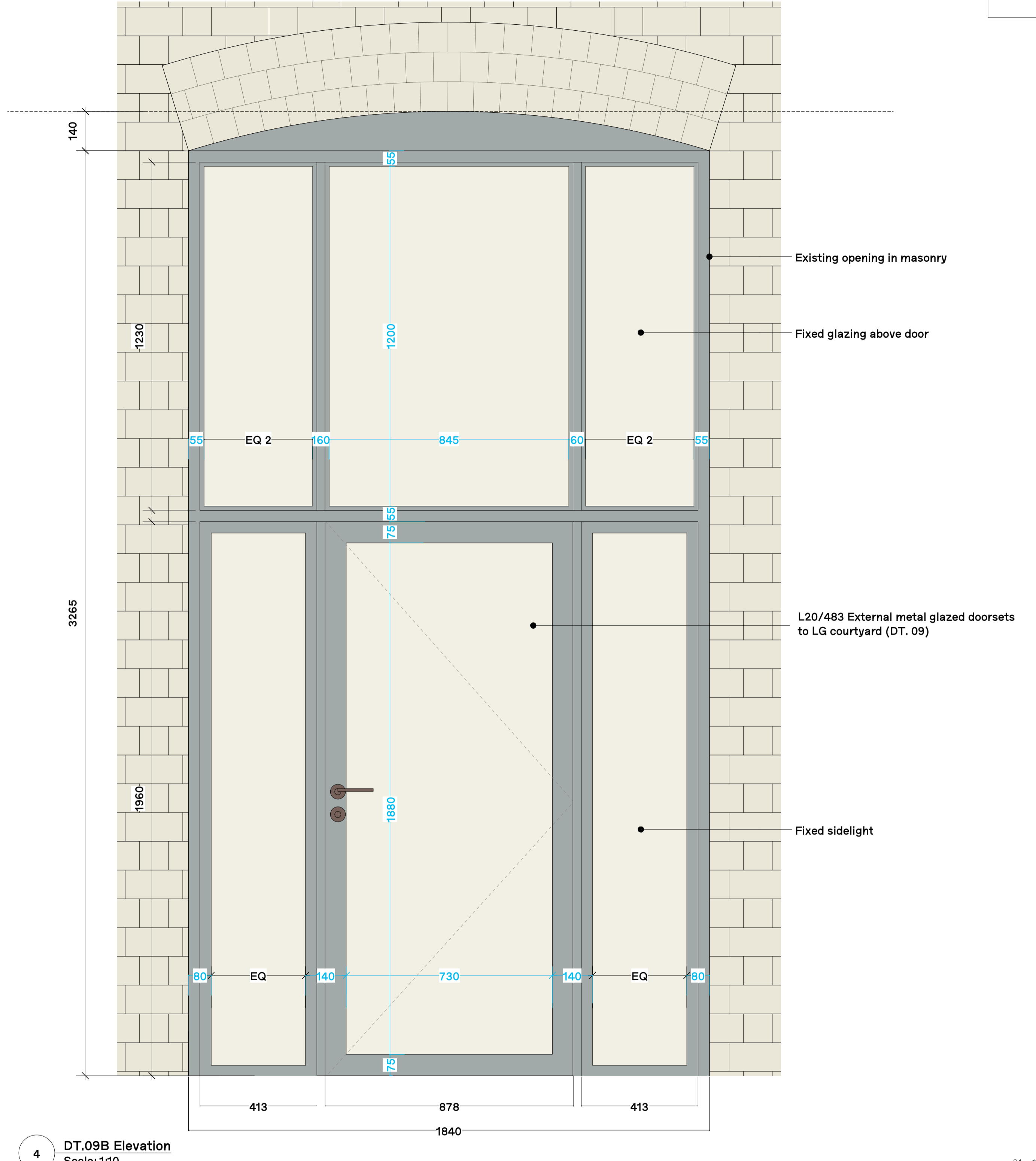
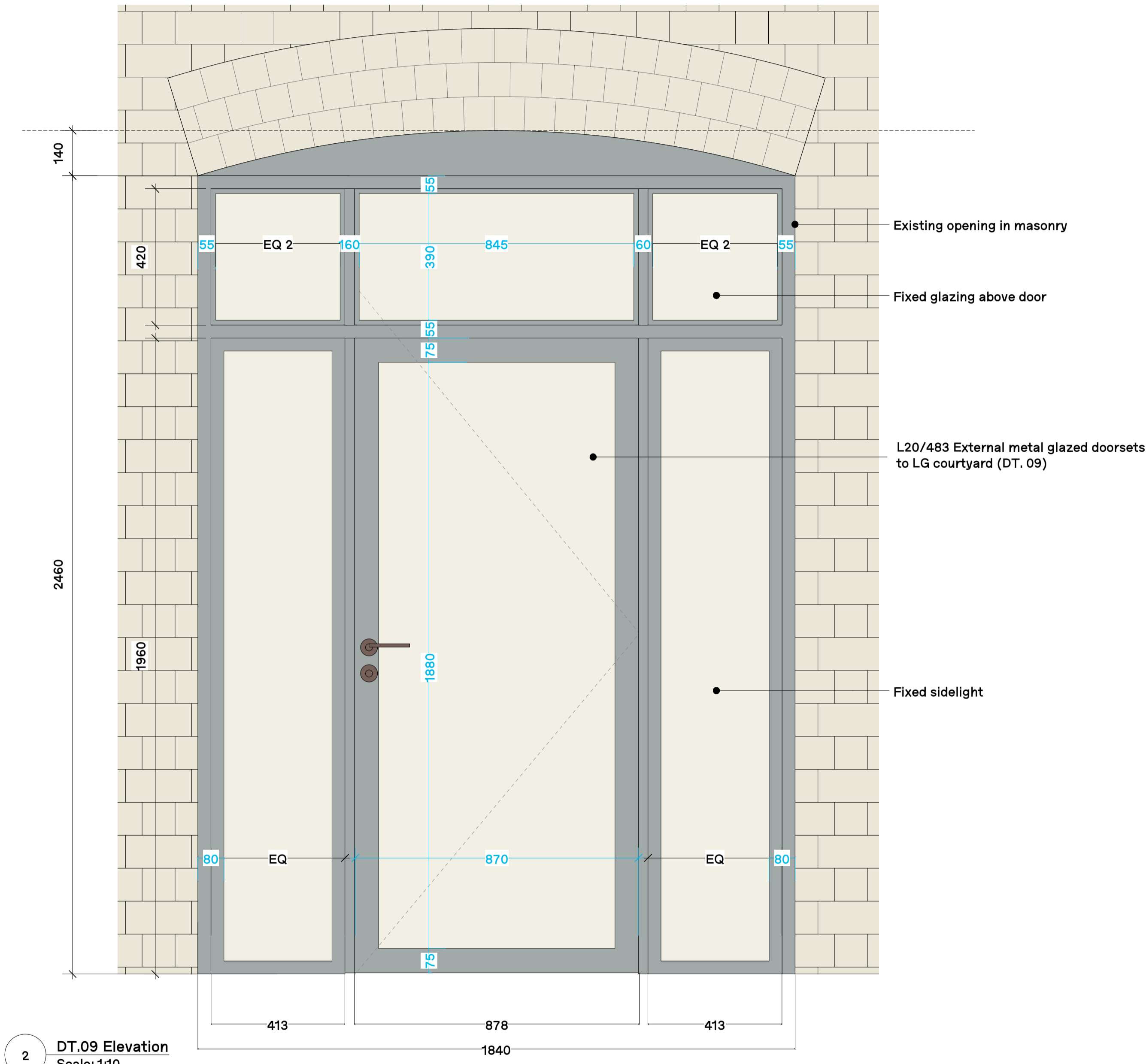


DRAWING NOTE:
- Ironmongery TBC



C 1 12/02/21 Stage 5 Issue
REV. DATE COMMENT

0 0.5m
1:10

NOTES
Do not scale from this drawing. All dimensions to be confirmed on site. Architect to be informed of any discrepancies before any action is taken. This drawing is copyright © Manalo & White Ltd and should not be copied or reproduced without Manalo & White Ltd consent.

Manalo & White
UNIT 301, METROPOLITAN WHARF BUILDING,
70 WAPPING WALL, LONDON E1W 3ES
T 020 7355 4945 E contact@manaloandwhite.co.uk

PROJECT
Wesley Camden Methodist Church
DRAWING
External Door Type 9
SCALE
1:10 @A1
STATUS
Stage 5

JOB No.	PREFIX	VOLUME	LEVEL	TYPE	ROLE
1127	MWA	ZZ	ZZ	DR	A

DRAWING No. REVISION
04 3035 C 1