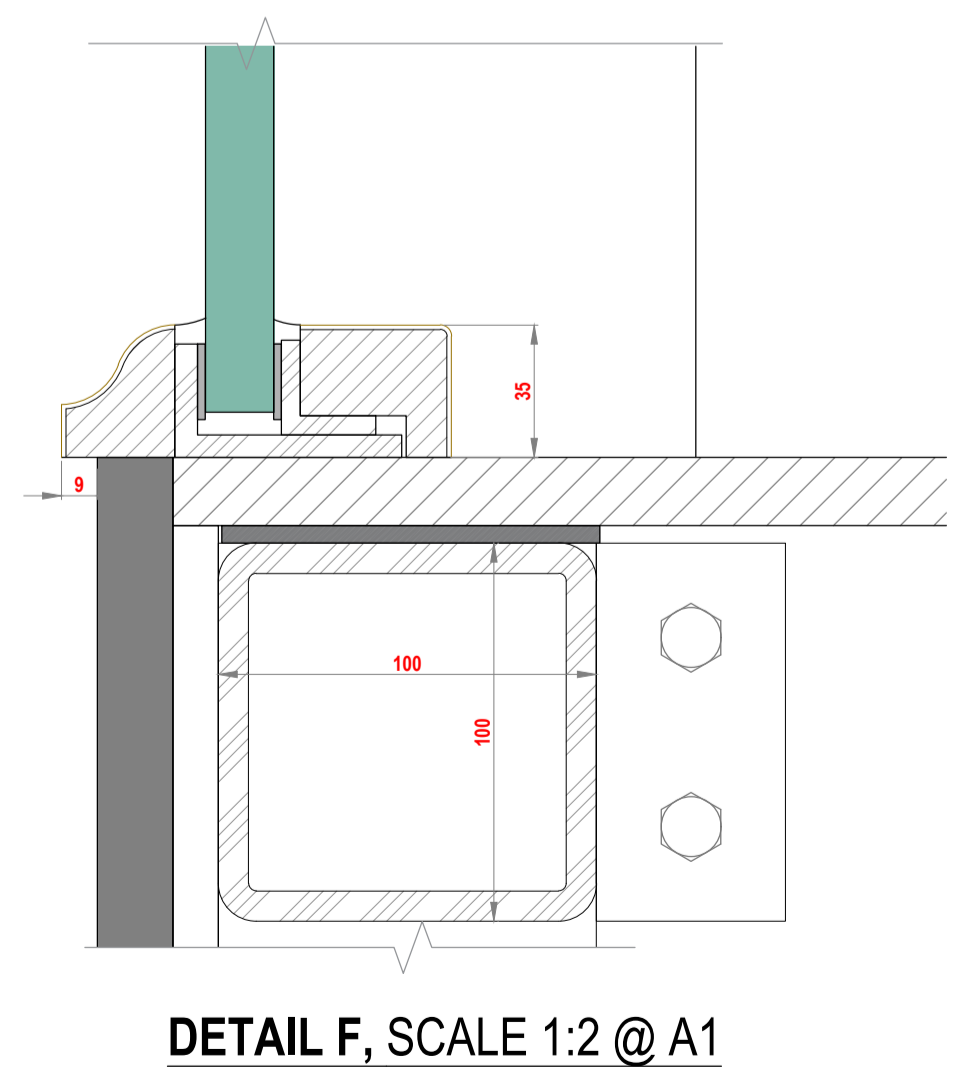
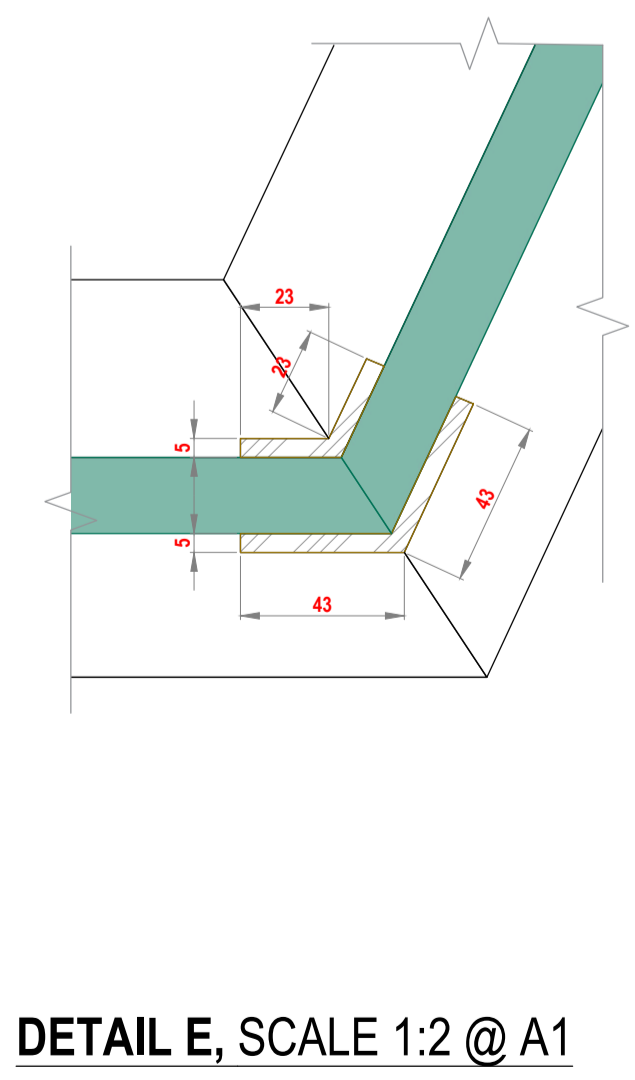
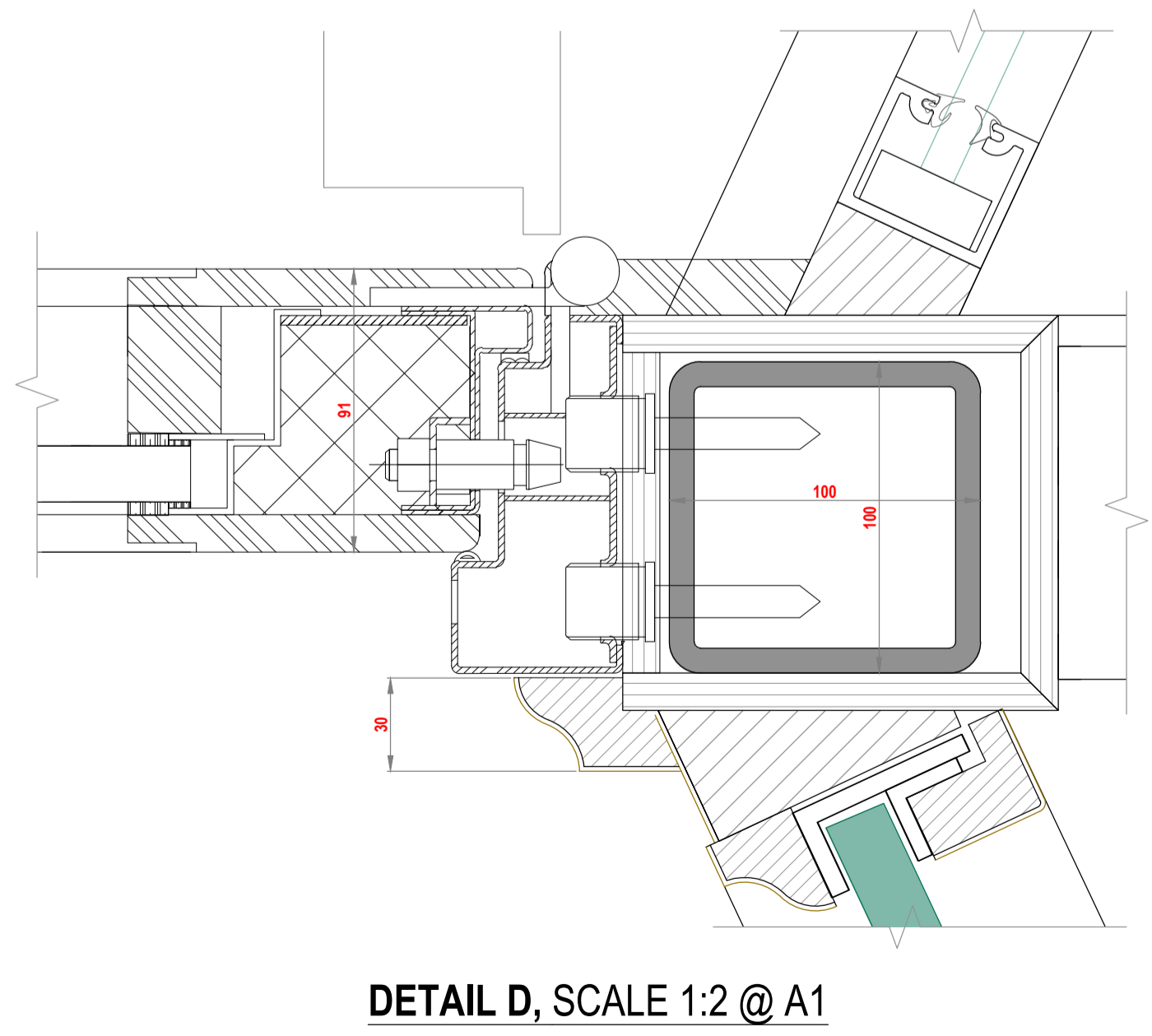
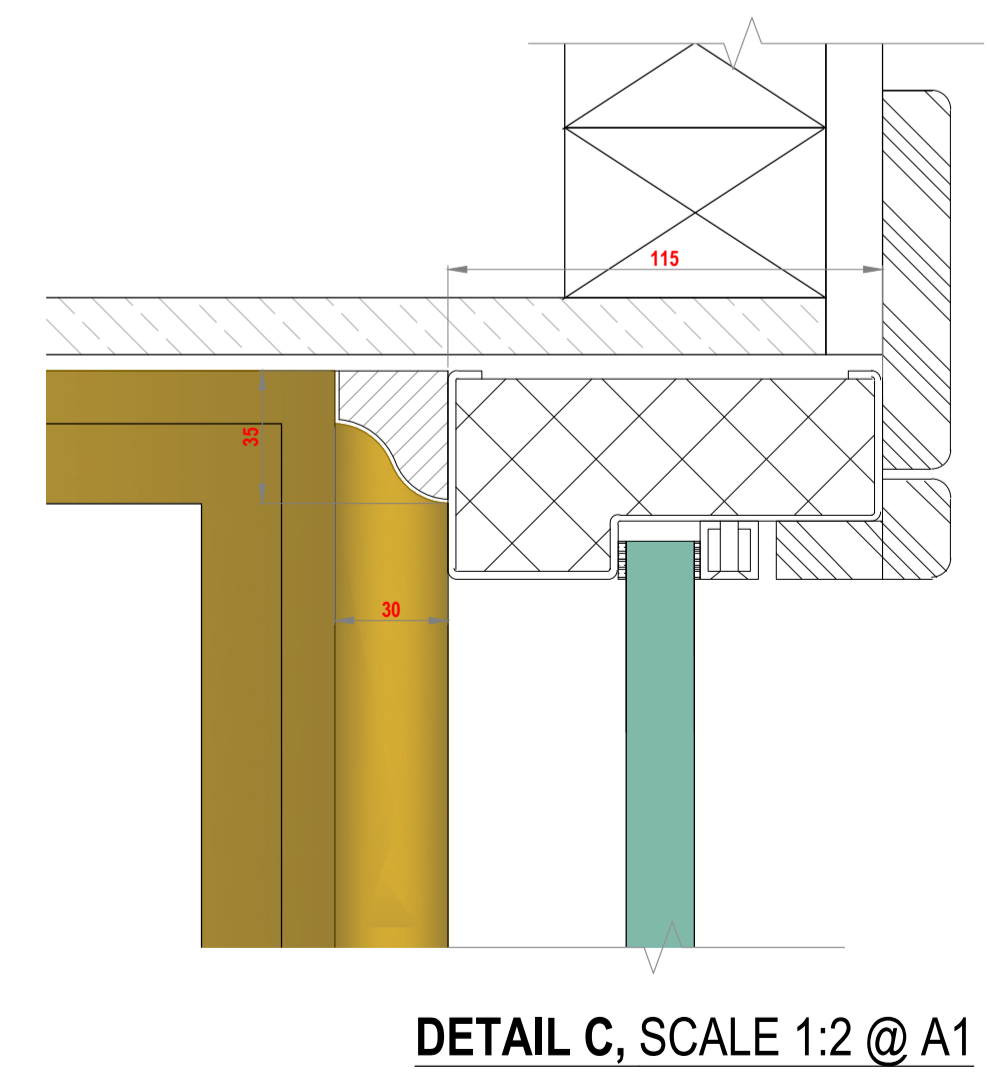
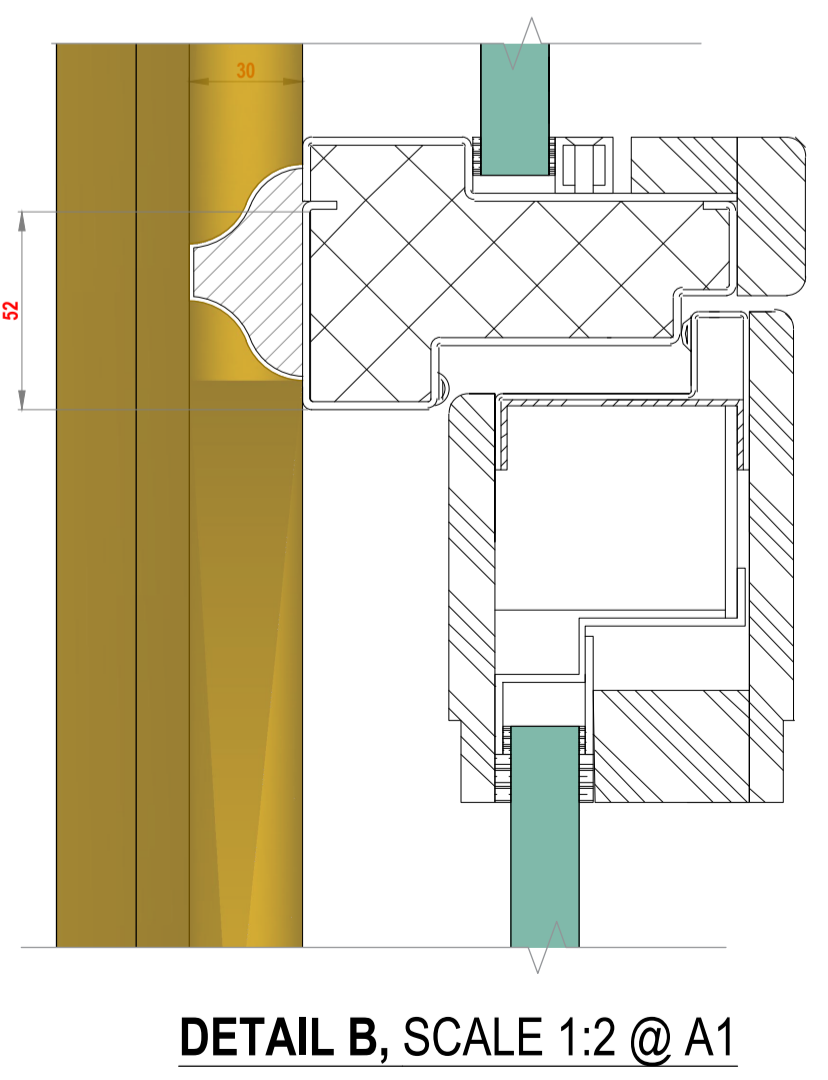
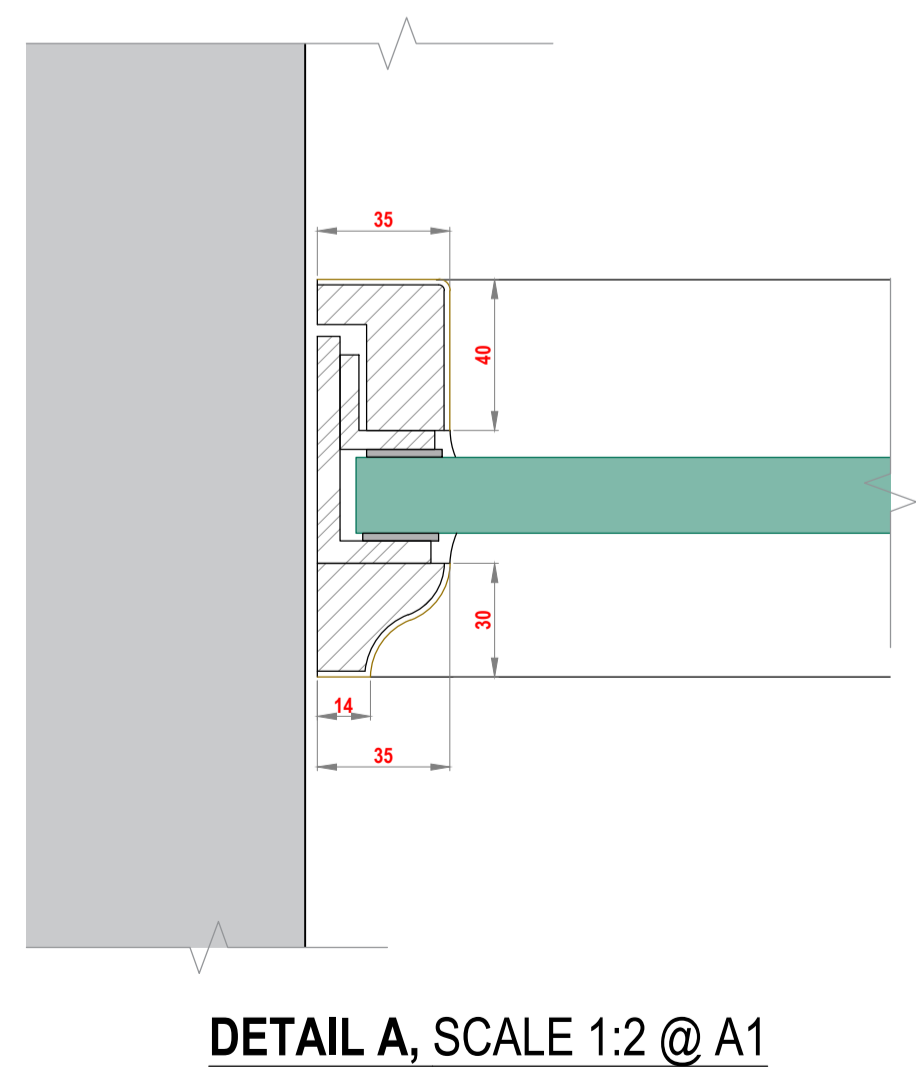


- MATERIALS:**
- SHOP FRONT SUPPORTING FRAME - 60mm X 30mm x 6mm STAINLESS STEEL UNEQUAL ANGLE FRAME SURROUND WITH 25mm X 25mm X 5mm EQUAL ANGLE INTERNAL GLAZING FRAMES. SECURED TO OUTER FRAME USING M8 COUNTERSUNK FIXINGS. MAIN FRAME SECURED AT THE SIDES WITH ANCHOR BOLTS INTO EXISTING STONE COLUMNS AND SECURED TO THE 100mm X 100mm STEEL RAM FRAME WITHIN THE STALL RISER. SECURE TO 100mm X 100mm STEEL RAM FRAME ACROSS THE TOP USING M8 COUNTERSUNK BOLTS.
 - SHOP FRONT GLASS - BS EN 356, P8B, GLASS/POLY/GLASS, 18.0MM THICK. 1 @ 972 X 2030, 2 @ 1922 X 2030, 1 @ 1964 X 2030 & 2 @ 656 X 2030
 - TIMBER FRAME FACING MOULDING WITH 1.5MM BRASS COVERING IS TO BE SECURED OVER THE FACE OF THE STAINLESS STEEL FRAME WORK WITH BLACK GLAZING MASTIC TO SEAL BETWEEN THE MOULDING AND GLASS.
 - MARINE GRADE 18MM PLYWOOD STALL RISER WITH 30mm THICK ZIMBABWE BLACK GRANITE ADHERED TO THE FACE AND CUT TO THE PAVEMENT.
 - BRASS GRILL FRAMES ABOVE TO BE FORMED OF 19MM EQUAL ANGLE WITH MEDIUM CLUB PERFORATED BRASS SHEET WITH BRASS INSECT MESH BEHIND.
 - BERGANZA SIGN WRITING TO THE REAR OF THE GLASS BY OTHERS.
 - DOORWAY AND DOOR TO BE LEVEL 4 SECURE, PC BLACK RAL:9005 STEEL, BS EN 356, P8B, 18.0mm GLASS WITH BRASS KICK PLATES, BRASS PULL HANDLE AND BRASS PUSH PLATE. GLASS PANEL ABOVE TO HAVE HAND PAINTED GOLD LOGO TO THE REAR AND PAINTED BOVER WITH BLACK GLASS PAINT. DOOR AND FRAME SUPPLIED AND INSTALLED BY SH
 - DOORWAY TIMBER FRAME MOULDING WITH 1.5MM BRASS COVERING IS TO BE SECURED OVER THE FACE OF THE DOOR FRAME BY TNJ.



CLIENT: BERGANZA	PROJECT: 88-90 HATTON GARDEN, LONDON, EC1N 8PN	TITLE: PROPOSED SHOP FRONT PLAN, ELEVATION & SECTION DETAILS	SCALE: 1-20 @ A1	DRAWN BY: DR	REVISION: E - 17/08/2021	DATE CREATED: 10/06/2021
			DWG NO: 10	CHECKED BY: TN	STATUS: PROPOSED	AS BUILT: TBC
						UNIT 3-5 PYTCHLEY LODGE ROAD PYTCHLEY IND EST, KETTERING NORTHAMPTONSHIRE, NN15 6JQ. TEL: 0153630092 www.topnotchjoinery.co.uk info@topnotchjoinery.co.uk