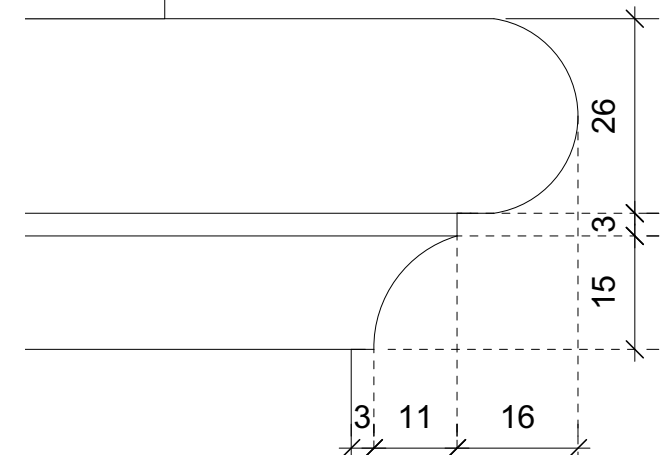
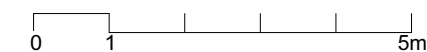


02
25
Proposed handrail section
1:1@A3



03
25
Proposed tread
1:1@A3



| Notes | | | | |
|---|-------|---------|-------------------|-----------|
| ©Roger Mears Architects llp 2021 | | | | |
| Revisions | | | | |
| 2 Villas on the Heath Hampstead NW3 1BA | | | | |
| Proposed new staircase to loft Handrail & Tread Details | | | | |
| ROGER MEARS ARCHITECTS llp Union Chapel, Compton Avenue London N1 2XD | | | | |
| rma@mears.co.uk www.mears.co.uk | | | tel 020 7359 8222 | |
| Date | Scale | Job No. | Code | Dwg No. |
| 01.07.21 | | 1902 | | 25 |

01
25
Proposed Plan
1:10@A3; 1:5@A1