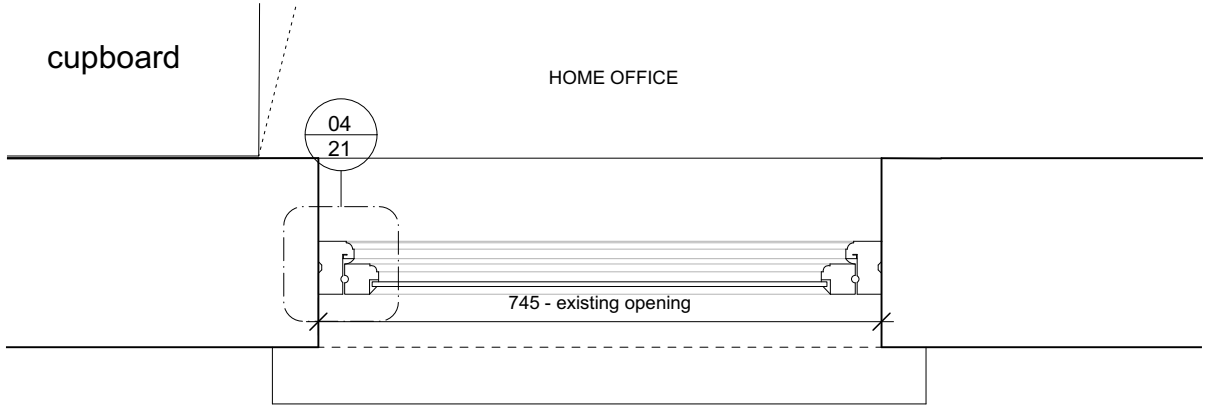


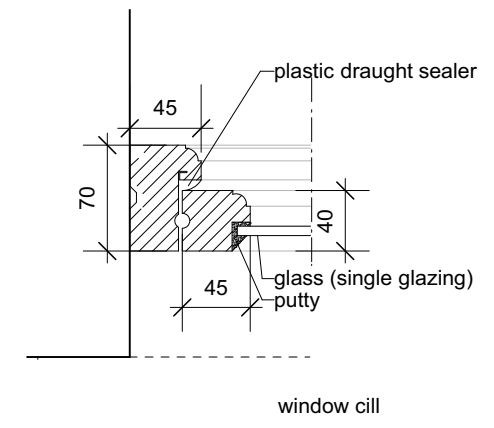
EXTERNAL VIEW

03  
21 Proposed elevation  
1:10@A3; 1:5@A1

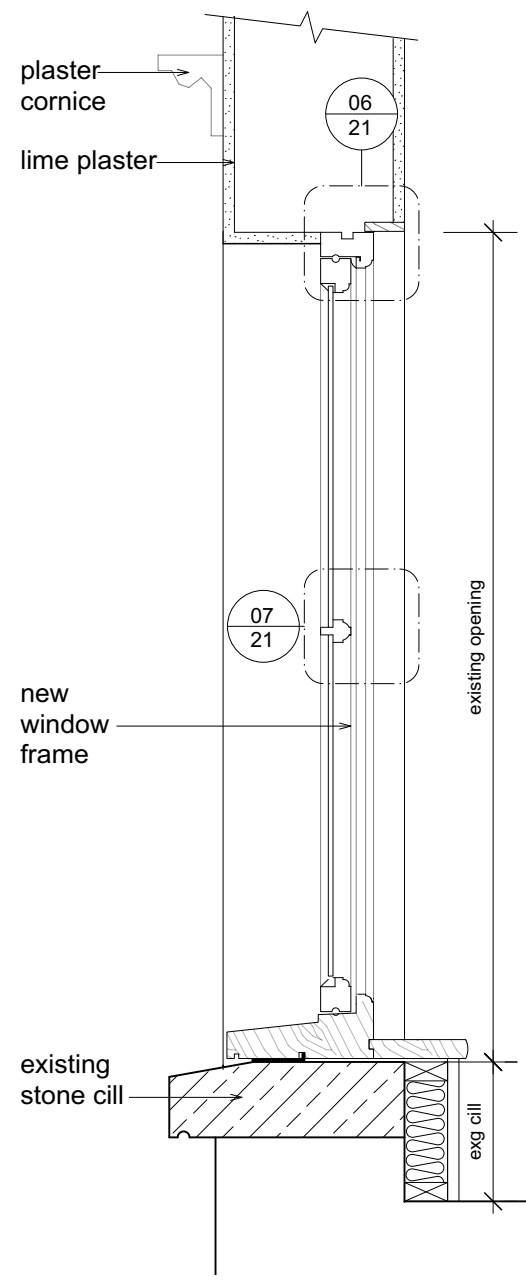


WH = 1.35m  
 WC = 0.23m

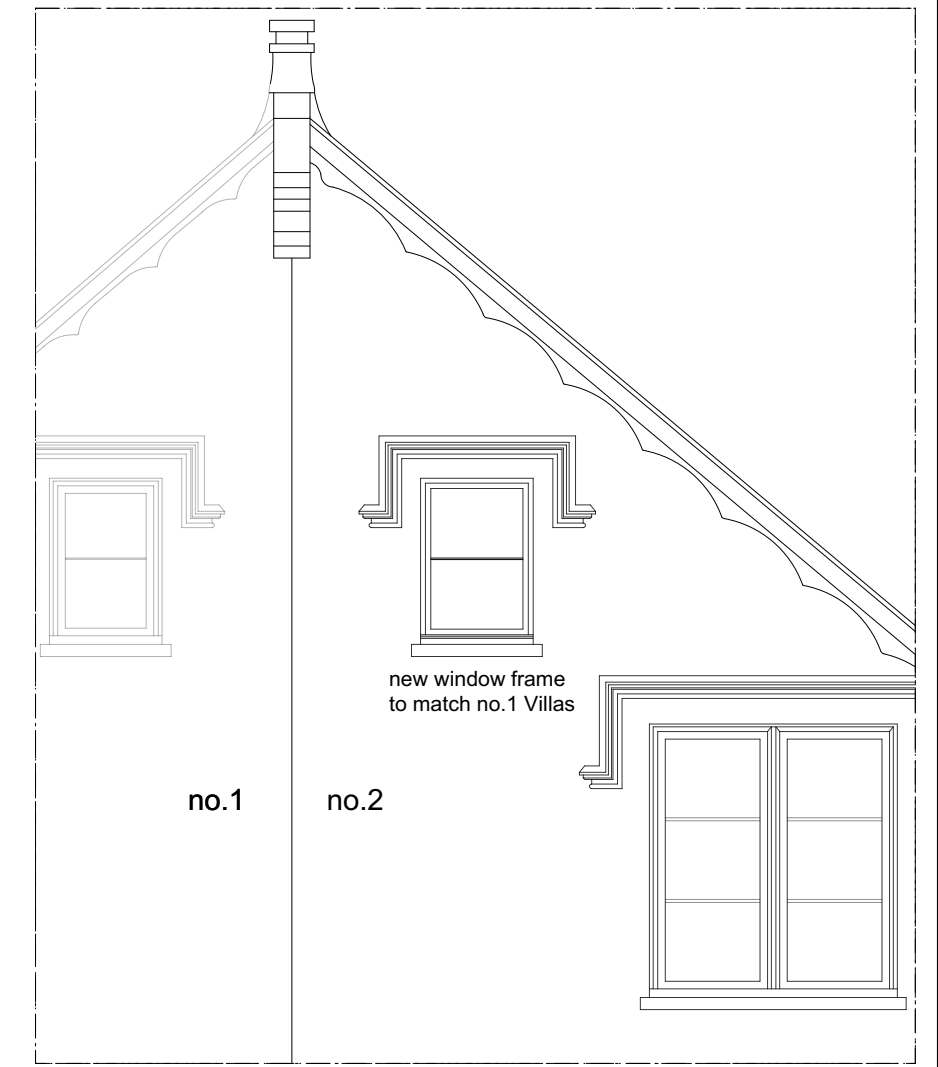
02  
21 Proposed plan  
1:10@A3; 1:5@A1



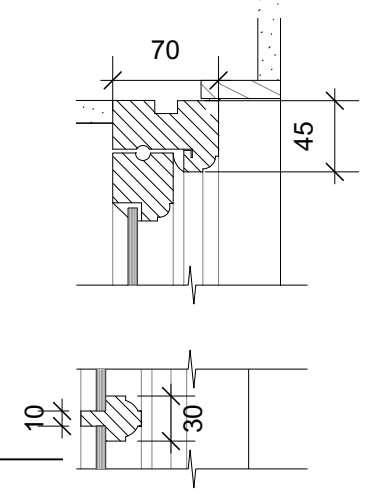
04  
21 Proposed detail  
1:10@A3; 1:5@A1



05  
21 Proposed window section  
1:10@A3; 1:5@A1



01  
21 Proposed elevation  
1:50@A3



06-07  
21 Proposed details  
1:10@A3; 1:5@A1

Revisions				
2 Villas on the Heath Hampstead NW3 1BA				
Proposed Home Office New front window				
<b>ROGER MEARS ARCHITECTS llp</b> Union Chapel, Compton Avenue London N1 2XD				
rma@mears.co.uk www.mears.co.uk			tel 020 7359 8222	
Date	Scale	Job No.	Code	Dwg No.
01.07.21		1902		21