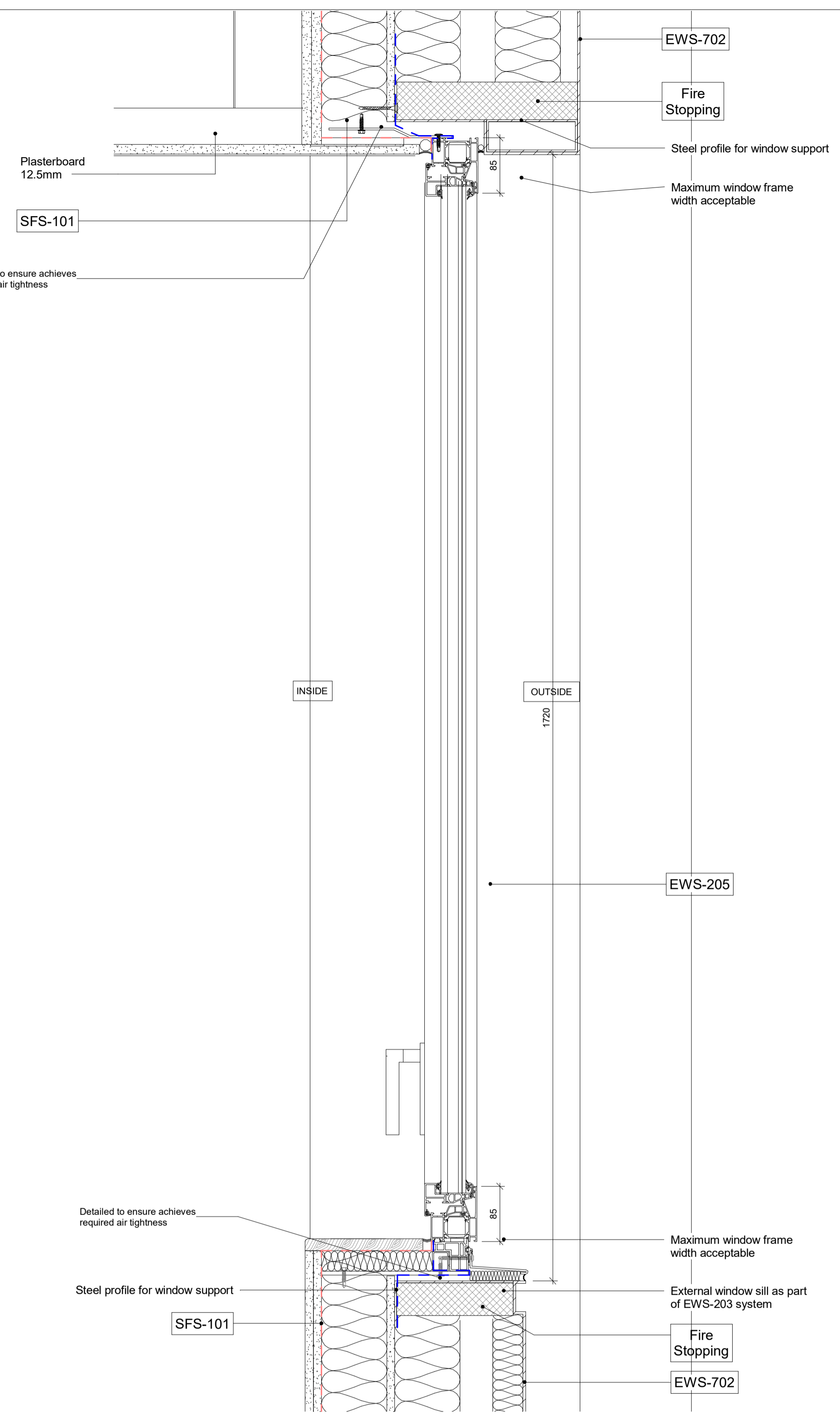
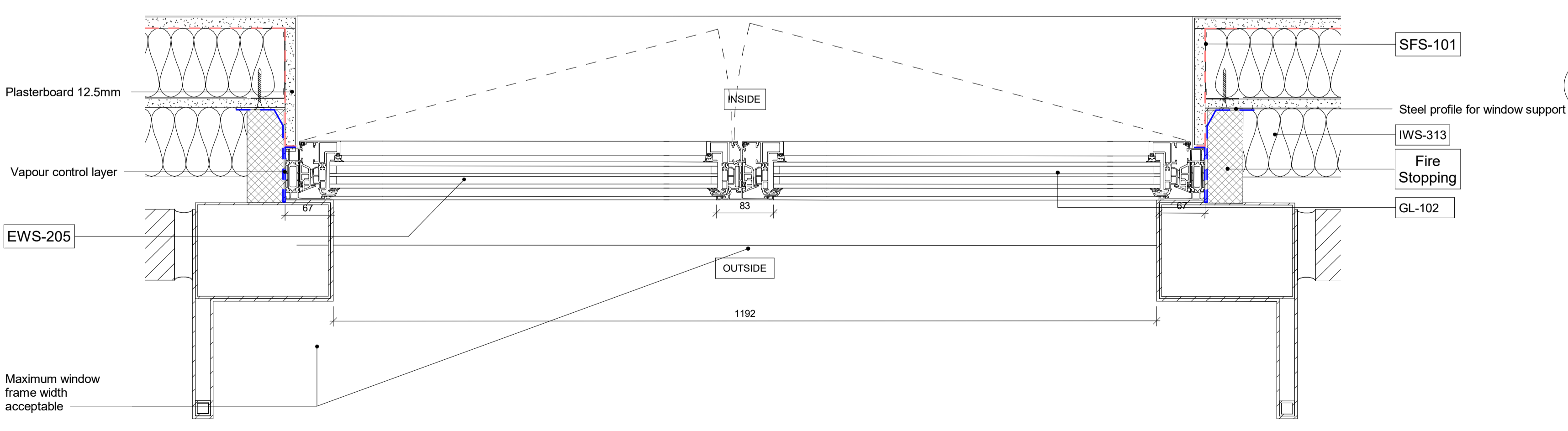


2 New Oxford Street Elevation- W 09 Elevation  
Scale: 1 : 5



3 New Oxford Street Elevation- W 09 Section  
Scale: 1 : 5



1 New Oxford Street Elevation - W 09 Plan  
Scale: 1 : 5

**WINDOW SPECIFICATIONS**  
 Frame system: Shueco AWS 75 BS SI (W/fix mullion)  
 Frame thickness: 85mm  
 RAL: 7016  
 Glass type: Clear / Frosted  
 Glass thickness: 37.28 mm (clear glass / frosted glass)

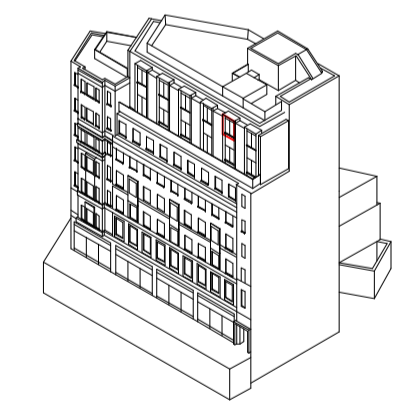
**Disclaimer**  
 Do not scale from this drawing. Check all dimensions on site before fabrication or setting out. This document is copyright and may not be reproduced without permission of the owner.

**Notes**  
 Not all revision notes appear on all sheets. Refer to tagged clouds.

- Key**
- ALT-301 Retained facade to be cleaned and made good
  - BRK-101 Red brick matching retained facade
  - BRK-102 Buff brick
  - BRK-103 Dark grey brick
  - EWS-702 Aluminium cladding and frame
  - EWS-120 Retail glazing and framing
  - EWS-705 Backpainted glass and framing
  - EWS-205 Residential glazing and aluminium framing
  - EWS-203 Residential glazing and U-PVC framing
  - EWS-201 Residential glazing and steel framing FR90
  - EWS-202 Residential glazing and steel framing FR120
  - EWS-701 Metal louvres
  - EWS-801 Granite Plinth
  - DRS-301 Residential metal door with double glazed panel
  - DRS-215 Waste store door
  - DRS-303 Metal frame glazed retail door
  - DRS-202 External FR90 metal hinged door
  - DRS-205 External metal hinged door
  - DRS-215 External metal hinged door
  - DRS-802 External riser door
  - DRS-803 External riser door
  - BAL-105 External metal balustrade and handrail
  - AM-101 Aluminium PPC coping
  - CON-401 Precast concrete matching existing
  - IWS-312 Retained facade internal lining
  - IWS-313 New brick wall internal lining
  - IWS-331 Column lining
  - TRM-201 MDF Non-combustible window board
  - AM-305 MVHR outlet/inlet aluminium PPC finish grille
  - GL-101 - Glass infill panel FR90
  - GL-102 - Glass infill panel
  - GL-103 - Glass infill panel FR120
  - SFS-101 - Light steel framing system
  - BRK-105 - Red air brick
  - BRK-106 - Buff air brick
  - BRK-107 - Dark grey air brick

Rev	Reason for Issue	Date	Iss
C02	Updated for planning conditional approval	05/07/2021	Apt
C01	For Construction	12/01/2021	Apt

Consultants  
 Structural Engineer: Davies Maguire  
 MEP Engineer: GDM Partnership  
 Project Manager: CBRE



**Apt**

235 St John Street London EC1V 4NG www.aplondon

Client  
**Royal London Asset Management**

Project  
**Castlewood & Medius House**

Drawing Title  
**External Envelope  
 Window Detail - New Facade W 09  
 Detail**

Scale	Drawn By	Issued By
1 : 5 @ A1	Apt	Apt

**Construction**

Project No.	Drawing No.	Revision
18013	A_21_958	C02