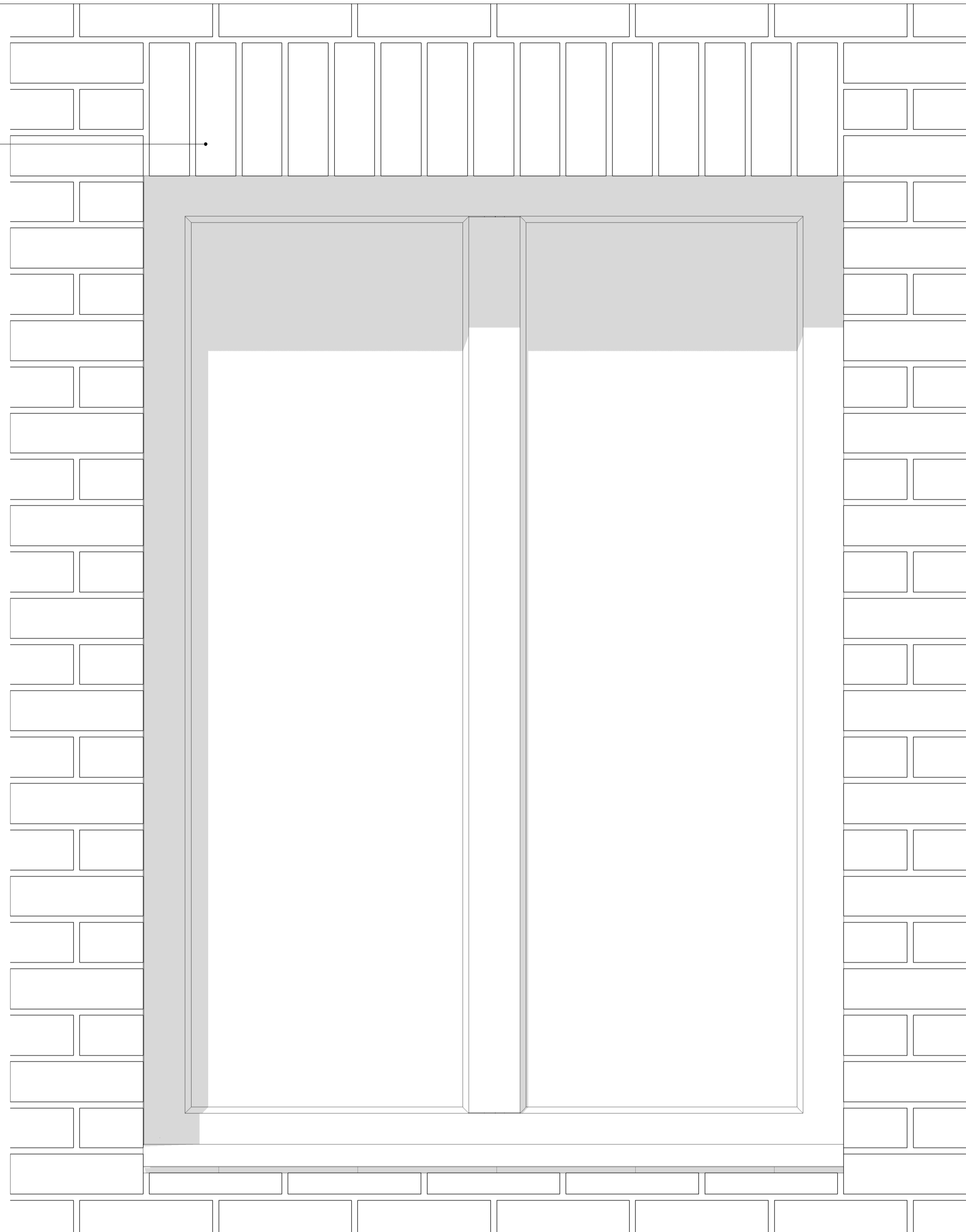
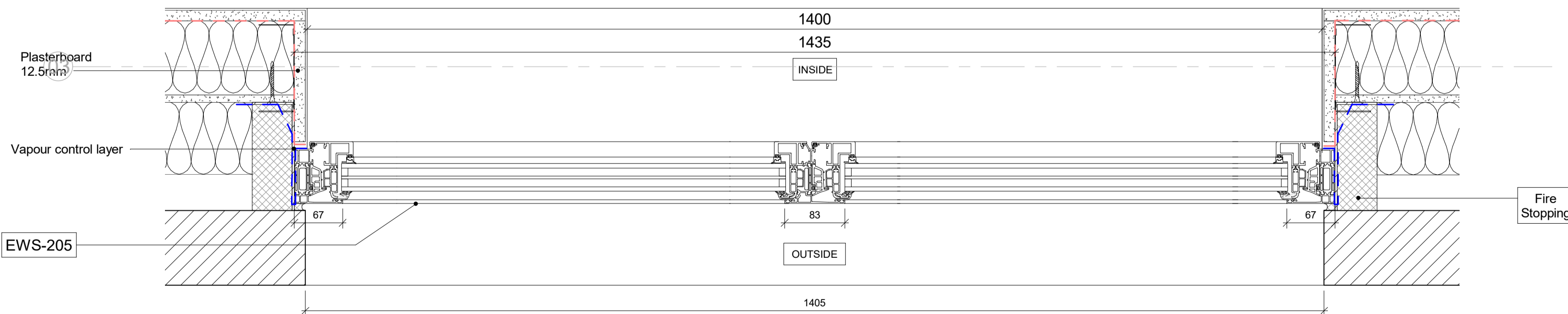


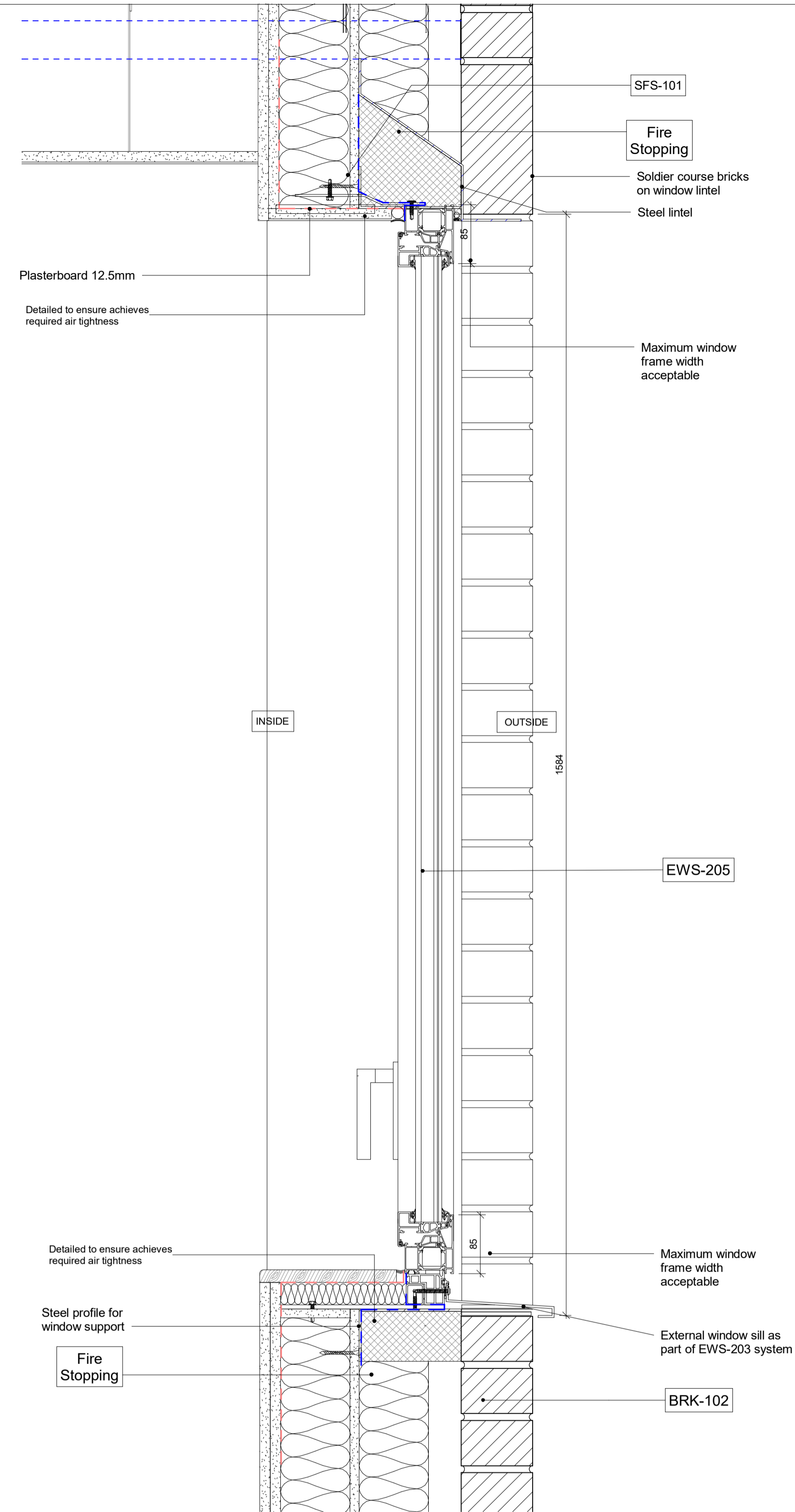
Soldier course bricks on window lintel



2 South Elevation W 13 Elevation
Scale: 1:5



1 South Elevation - W13 Plan
Scale: 1:5



3 South Elevation - W13 Section
Scale: 1:5

WINDOW SPECIFICATIONS
 Frame system: Shueco AWS 75 BS SI (W/ fixed mullion)
 Frame thickness: 85mm
 RAL: 7016
 Glass type: Clear / Frosted
 Glass thickness: 37.28 mm (clear glass / frosted glass)
 Security rating: PAS 24 (only courtyard L01)

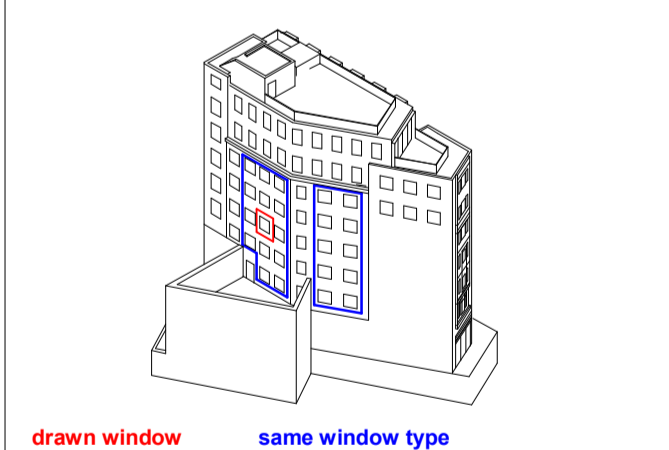
Disclaimer
 Do not scale from this drawing. Check all dimensions on site before fabrication or setting out. This document is copyright and may not be reproduced without permission of the owner.

Notes
 Not all revision notes appear on all sheets. Refer to tagged clouds.

- Key**
- ALT-301 Retained facade to be cleaned and made good
 - BRK-101 Red brick matching retained facade
 - BRK-102 Buff brick
 - BRK-103 Dark grey brick
 - EWS-702 Aluminium cladding and frame
 - EWS-120 Retail glazing and framing
 - EWS-705 Backpainted glass and framing
 - EWS-205 Residential glazing and aluminium framing
 - EWS-203 Residential glazing and U-PVC framing
 - EWS-201 Residential glazing and steel framing FR90
 - EWS-202 Residential glazing and steel framing FR120
 - EWS-701 Metal louvres
 - EWS-801 Granite Plinth
 - DRS-301 Residential metal door with double glazed panel
 - DRS-215 Waste store door
 - DRS-303 Metal frame glazed retail door
 - DRS-202 External FR90 metal hinged door
 - DRS-205 External metal hinged door
 - DRS-215 External metal hinged door
 - DRS-802 External riser door
 - DRS-803 External riser door
 - BAL-105 External metal balustrade and handrail
 - AM-101 Aluminium PPC coping
 - CON-401 Precast concrete matching existing
 - IWS-312 Retained facade internal lining
 - IWS-313 New brick wall internal lining
 - IWS-331 Column lining
 - TRM-201 MDF Non-combustible window board
 - AM-305 MVHR outlet/inlet aluminium PPC finish grille
 - GL-101 - Glass infill panel FR90
 - GL-102 - Glass infill panel
 - GL-103 - Glass infill panel FR120
 - SFS-101 - Light steel framing system
 - BRK-105 - Red air brick
 - BRK-106 - Buff air brick
 - BRK-107 - Dark grey air brick

Rev	Reason for Issue	Date	Iss
C03	Updated for planning conditional approval	05/07/2021	Apt
C02	Construction Issue for Skanska	09/04/2021	Apt
C01	For Construction	12/01/2021	Apt

Consultants
 Structural Engineer: Davies Maguire
 MEP Engineer: GDM Partnership
 Project Manager: CBRE



Apt

235 St John Street London EC1V 4NG www.aptlondon

Client
Royal London Asset Management

Project
Castlewood & Medius House

Drawing Title
External Envelope Window Detail - New Facade W 13 Detail

Scale: 1:5 @ A1
 Drawn By: Apt
 Issued By: Apt

Construction		
Project No.	Drawing No.	Revision
18013	A_21_962	C03