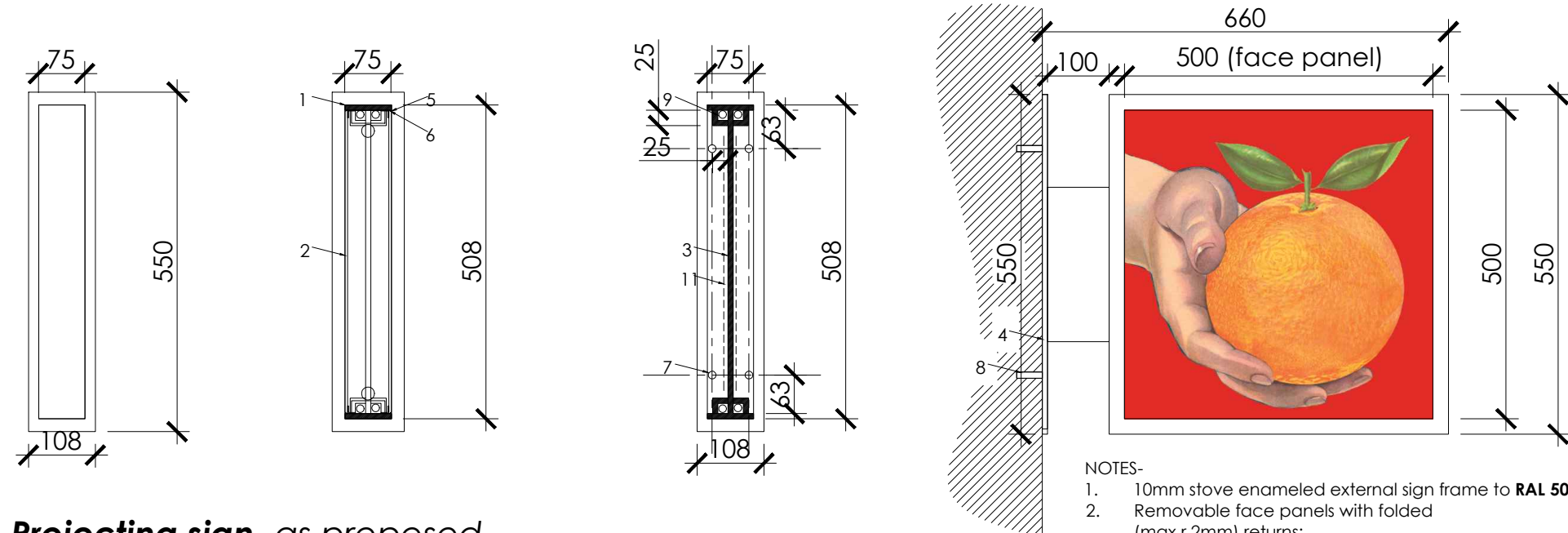


Written dimensions on these drawings shall take precedence over scaled dimensions. Contractors shall verify and be responsible for all dimensions and conditions on the project and this office must be notified of any variations from the dimensions and conditions shown by these drawings prior to commencement of any work. All contractors are deemed to have made themselves aware of site conditions prior to entering into any contract. Shopfitting details must be submitted to this office for approval before proceeding with fabrication. This drawing is the property of rpa. Copyright is reserved by them and the drawing is issued on condition that it is not copied, reproduced, retained or disclosed to any unauthorised person, either wholly or in part without the consent in writing of rpa.



Projecting sign- as proposed
 scale - 1:5 @ A1 / 1:10 @ A3

- NOTES-
- 10mm stove enameled external sign frame to **RAL 5008**.
 - Removable face panels with folded (max r 2mm) returns;
 - Strengthening web along mounting face;
 - Mounting plate, 10mm thick with counter bored mounting holes.
 - 5mm wide x 10mm deep shadow gaps between frame and face panel.
 - Rear face of shadow gap to be painted to match sign frame (**RAL 5008**).
 - 4 No 18mm x M12 s/s fixing bolts (with washers for over sized fixing holes)
 - 4 No fixing bolts to suit site conditions.
 - Services channel.
 - Exact artwork to be approved by LEON before production
 - LED illumination by others, **Luminance level = 250 candela per SQM**



Shopfront visual- as proposed
 NTS

FOR APPROVAL

14.07.2021	CREATED	JC	CS
------------	---------	----	----

rev	date	description	drawn	chk
-----	------	-------------	-------	-----

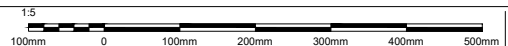
client
LEON Borough Market
 18-20 Southwark St.
 London SE1 1TJ
 02070897070

address
CAMDEN
 190 Camden High street,
 Camden
 London
 NW1 8QP

client job no.
 -

drawing title
 Signage
 As proposed

drawn by	date	checked
JC	23.06.2021	CS
job no.	drawing no.	revision
2007120	A213	



scale 1:5 @ A1