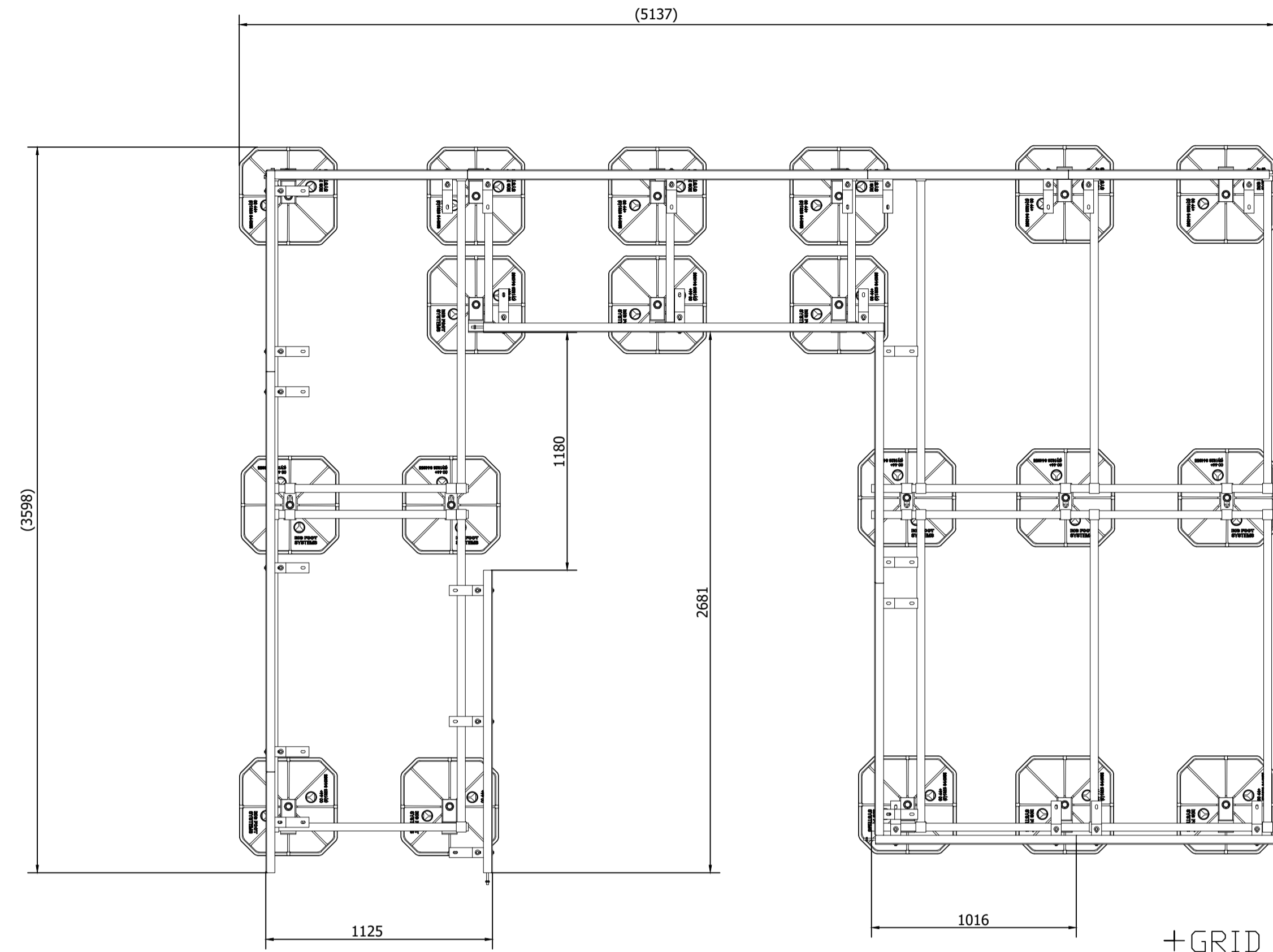


| | |
|----------------|------------------|
| PROJECT REF: | CAMDEN TOWN HALL |
| LINITY REF: | |
| FOOT PRESSURE: | |
| UDL: | |

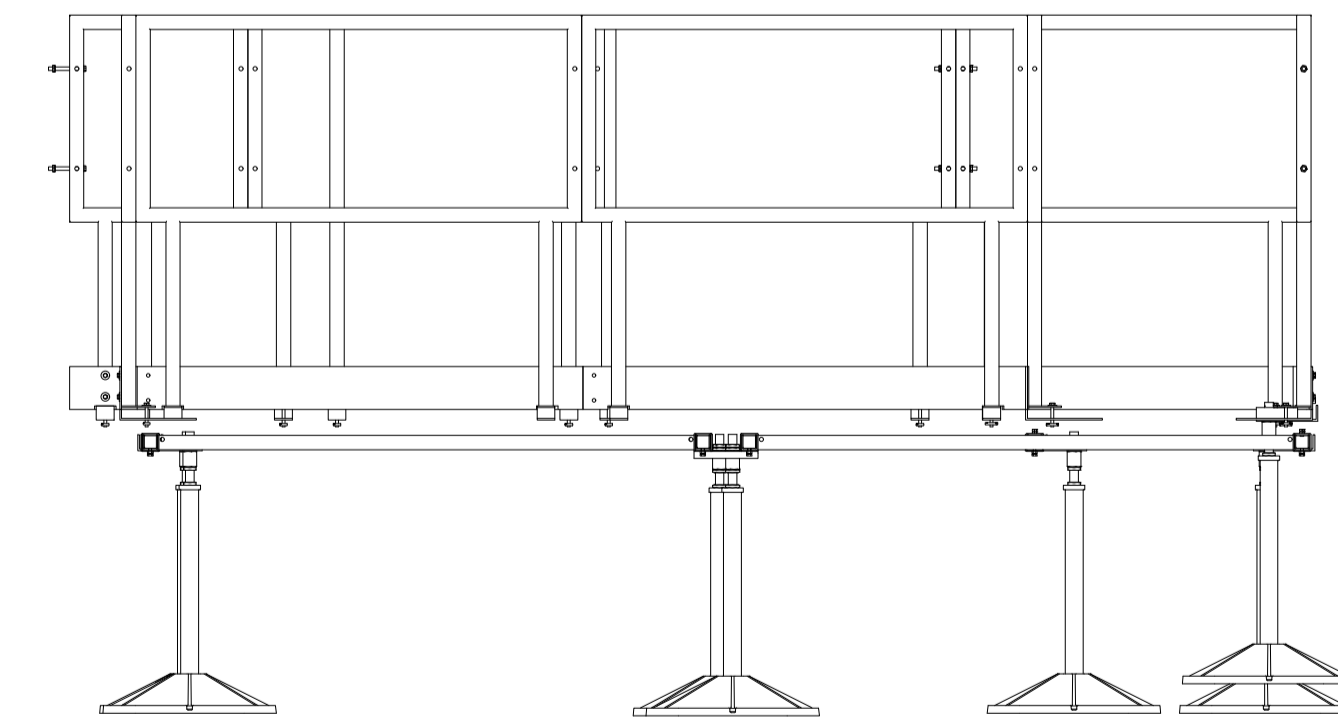
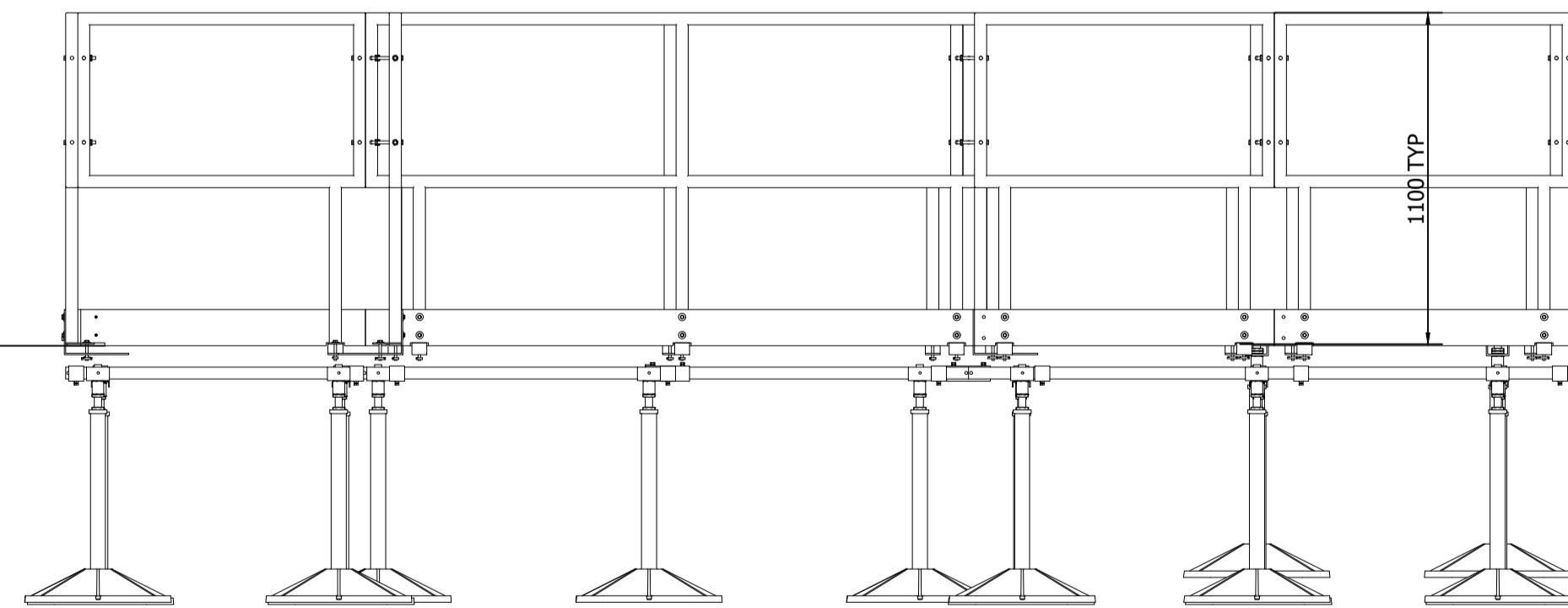
Material grade: BS EN 10219-1:2006 (S235JR), Welding standard: BS EN ISO 15614-1, Galvanizing standard: BS EN ISO 1461:2009
 Reference specification document "Custom Fabrication Specification" (BF-SPEC-050411) for further information
 Reference specification document "Big Foot Systems Cross Bar Specification (BF-SPEC-230610) for further information

BF11894-008 LIGHTWELL



+GRID REFERENCE F07

DATUM: +37.92



| | | | | |
|--|---|------------------|------------------------|--|
| <small>Installation and application considerations should include health, safety and environmental needs, regulations and standards, codes of practice, design conditions, availability of materials, erection, installation of roof structure, completion, surface and condition, and any other relevant information. Big Foot Systems is not responsible for any damage or loss of materials or equipment caused by the use of this drawing. The design is based on the use of Big Foot Systems products and is subject to change without notice. Terms and conditions available on request.</small> | REV: P00 | DATE: 12/05/2021 | SCALE: 1 : 80 | TITLE: PLAN & ELEVATION ON LIGHTWELL 03 GANTRY DWG No: CTH-PAD-RF-DR-34-X-047 THIS DRAWING IS COPYRIGHT AND THE PROPERTY OF BIG FOOT SYSTEMS LIMITED |
| | DRAWN: M.COLBY | CHECKED: S.BIRCH | DIMENSIONS IN mm U.O.S | |
| | TOLERANCES: 0.0 ± 0.5mm U.O.S SHEET 11 OF 11 | | | |

