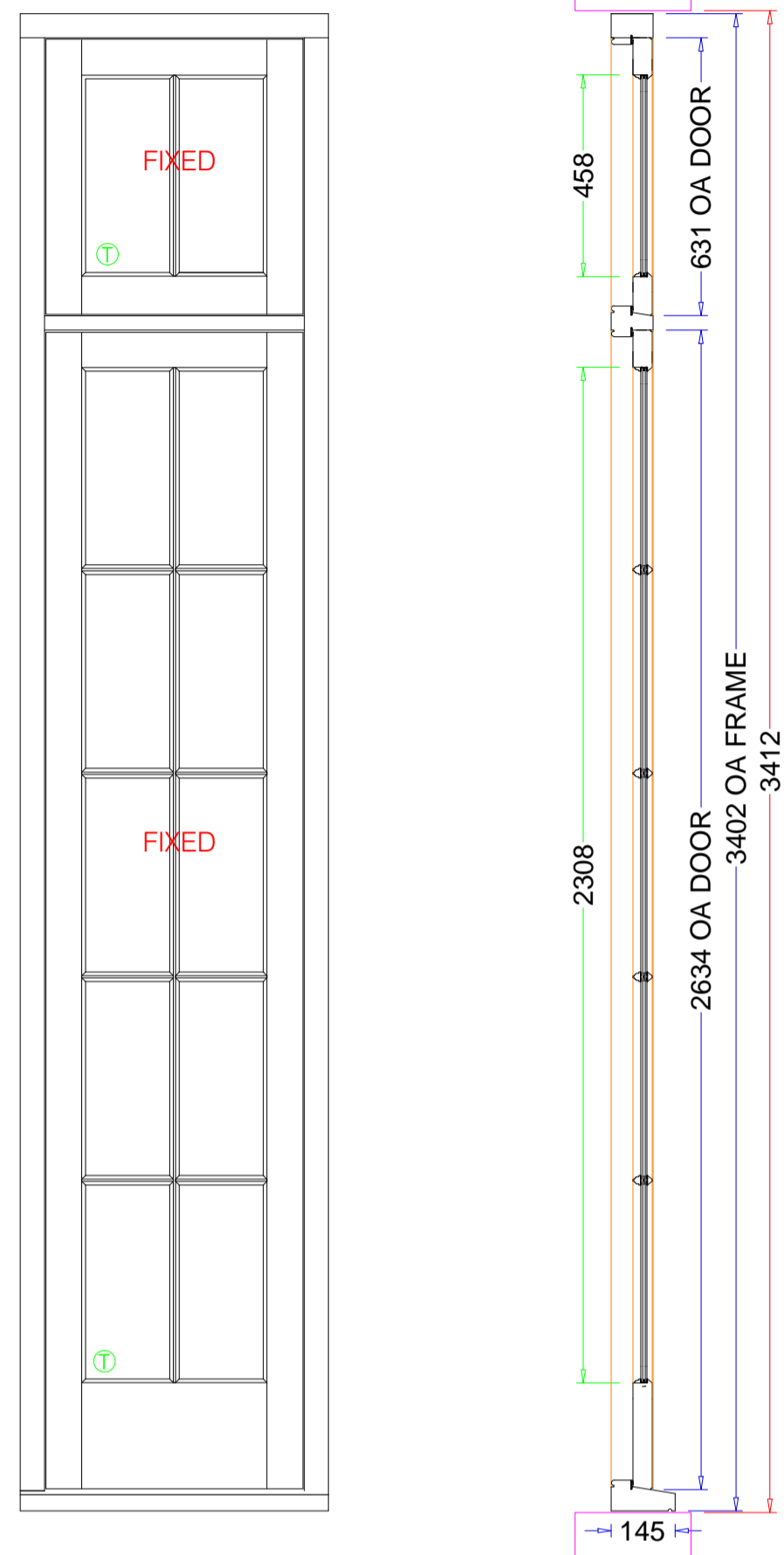
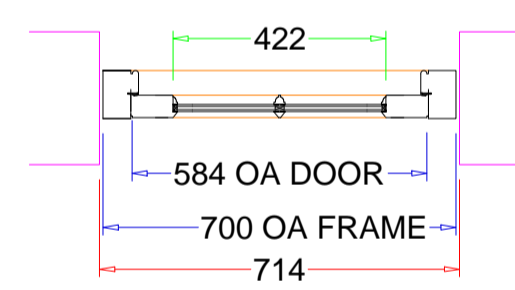
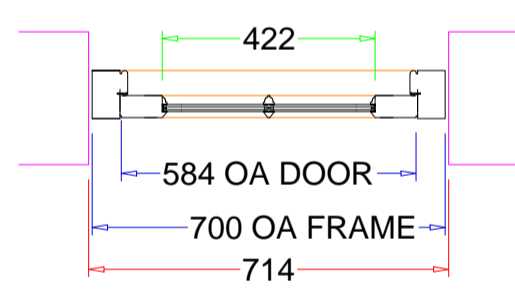
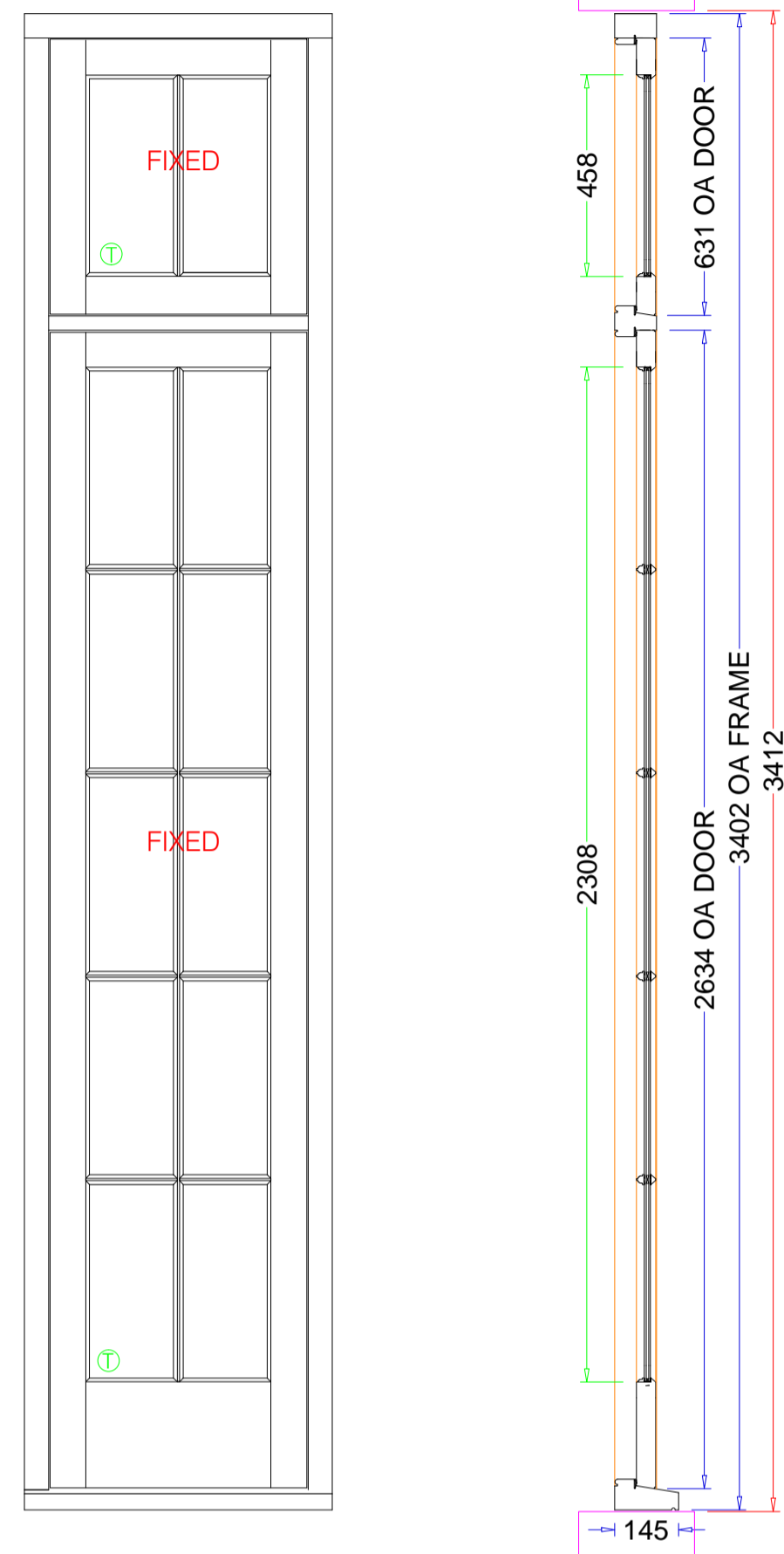


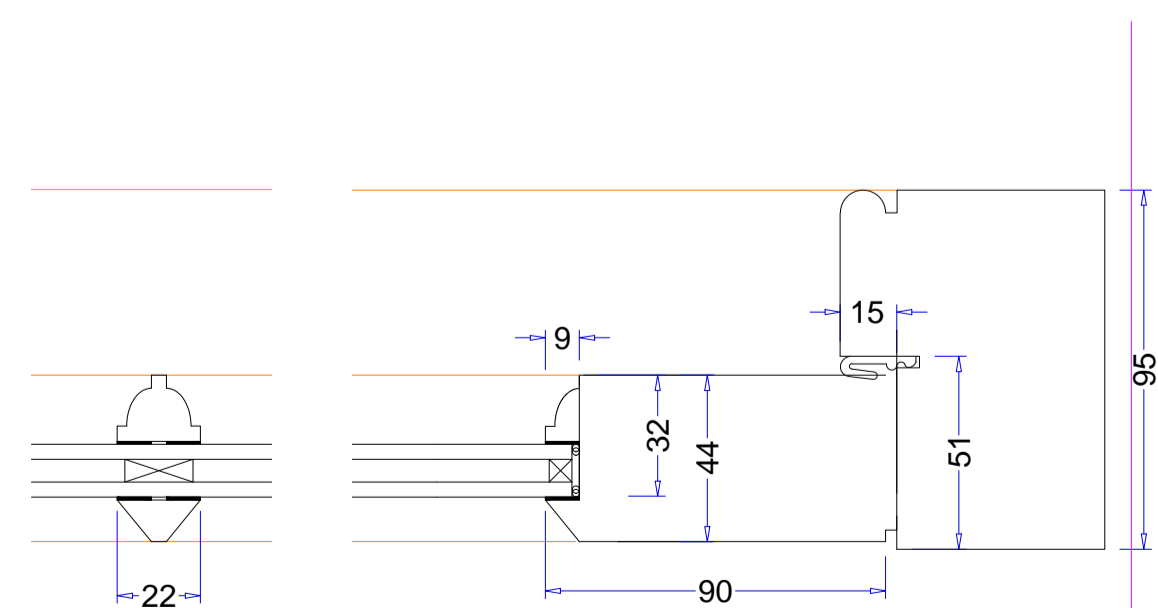
LGW03



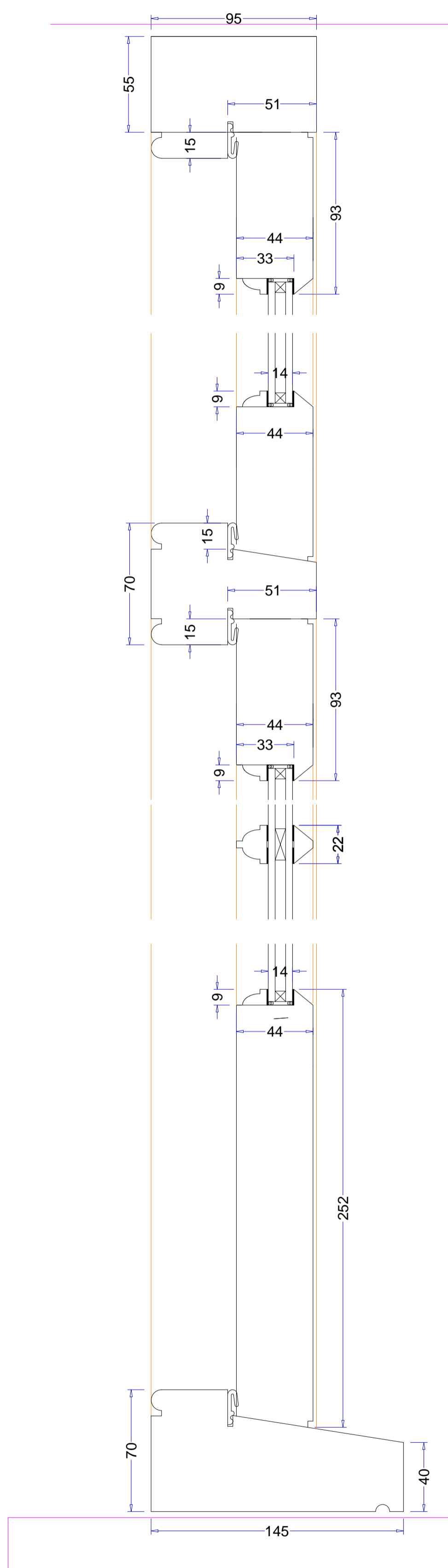
LGW04



01 ELEVATION
Scale: 1:10 @A1



02 PLAN SECTION DETAILS
Scale: 1:2 @A1



03 HEIGHT SECTION DETAILS
Scale: 1:2 @A1

SPECIFICATIONS

- TO SUPPLY SCREENS.
- ALL TO BE MANUFACTURED OUT OF HARDWOOD.
- DOUBLE GLAZED WITH 4MM OPTIWHITE (OUTER PANE) / 6MM KRYPTON FILL / 4MM PILKINGTON K GLASS™ S TOUGHENED
SPACER BAR COLOURS = WHITE / BLACK / MID GREY
- STICK ON GLAZING BARS.
- TO FIT "FREE ISSUE" HINGES -- ALL OTHER IRONMONGERY SUPPLIED AND FITTED ON SITE BY OTHERS.
- PRIMED ONLY WHITE OR GREY (FOR DARK FINISHED COLOUR) TBC

DATE	REVISION NOTES
------	----------------

10.03.21 REV 01:

- NOTES ON DRAWINGS
- ALL DRAWINGS ARE FROM AN EXTERNAL POINT OF VIEW UNLESS OTHERWISE STATED.
 - THIS DRAWING IS SOLELY PREPARED FOR THE USE OF K&D JOINERY IN PREPARATION OF THEIR WORK AND MUST NOT BE USED FOR ANY OTHER PURPOSE.
 - DOUBLE DOORS AND CASEMENTS WITHOUT A VERTICAL TRANSOM WILL ALLOW A TINY AMOUNT OF LIGHT LEAKAGE AT THE TOP AND BOTTOM OF THE DOORS & CASES.
 - CHECK THERE IS SUFFICIENT ACCESS THROUGH AROUND THE BUILDING SUITABLE FOR THE SIZE OF JOINERY INDICATED ON THIS DRAWING.

- NOTES ON SIZES
- WE CANNOT GUARANTEE THE STABILITY OF ANY DOOR OVER 2000mm.
 - WOOD IS A NATURAL PRODUCT THAT RESPONDS TO TEMPERATURE AND HUMIDITY VARIATIONS BY EXPANDING AND CONTRACTING. MOVEMENT SHOULD BE EXPECTED DURING THE DIFFERENT SEASONS THROUGHOUT THE YEAR. K&D JOINERY CANNOT BE HELD RESPONSIBLE FOR NATURAL MOVEMENT IN TIMBER AND ANY FUTURE ADJUSTMENTS FOLLOWING DELIVERY/INSTALLATION OF PRODUCTS WILL BE CHARGED FOR IF YOU REQUIRE A COMPLETELY STABLE PRODUCT WITH NO MOVEMENT WE HIGHLY SUGGEST USING ACCOYA TIMBER.

- NOTES ON FINISHING
- K&D JOINERY DO NOT RECOMMEND FINISHING EXTERNAL JOINERY IN BLACK OR A SIMILAR DARK COLOUR AND CANNOT OFFER ANY GUARANTEES DUE TO THE TIMBER BECOMING MORE SUSCEPTIBLE TO MOVEMENT, TWISTING, WARPING, CRACKING DUE TO THE DARKER COLOUR ABSORBING MORE HEAT.
 - ALL JOINERY WILL BE PRIMED WHITE UNLESS OTHERWISE SPECIFIED.
 - COLOUR VARIATION CAN BE EXPECTED WHEN USING CLEAR STAINED FINISHES, ESPECIALLY WHEN THE JOINERY IS MADE OUT OF BIRCH AND OAK.
 - ALL CLEAR FINISHED EXTERIOR JOINERY SHOULD BE TREATED ON A YEARLY BASIS, FOLLOWING PROFESSIONAL GUIDELINES.
 - ANY INTERNAL MOULDINGS ARCHITRAVES OR WINDOW BOARDS ARE PRIMED ONLY.

- NOTES ON VENTILATION
- PLEASE NOTE, TRIPLE VENTS WILL NOT BE FITTED TO JOINERY UNLESS SPECIFIED BY THE CLIENT. WE CANNOT DETERMINE THE VENTILATION REQUIREMENTS.

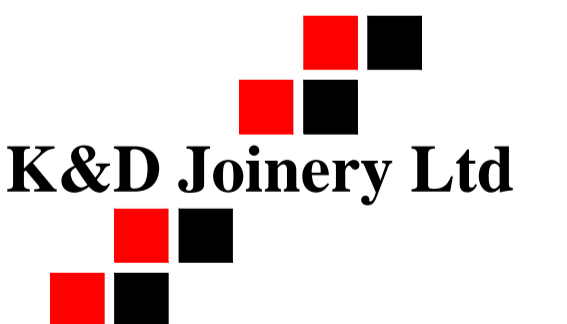
- NOTES FOR WORKSHOP
- END GRAIN SEALER TO BE USED ON ALL EXPOSED END GRAIN, INCLUDING THE ENDS OF BEADING.

- NOTES ON MOISTURE CONTENT
- THE MOISTURE CONTENT OF THE TIMBER TO BE USED WILL BE 16% ± 3 (EXTERNAL).
 - THE MOISTURE CONTENT OF THE TIMBER TO BE USED WILL BE 10% ± 2 (INTERNAL).
- NOTES FOR SITE CARE AFTER DELIVERY
- APPROVAL OF THIS DRAWING CONFIRMS THAT YOU WILL REVIEW AND ADHERE TO THE SITE CARE INFORMATION SHEET ATTACHED WITH THIS DRAWING.

- KEY:
- = SURVEY SIZES
 - = REBATE SIZES
 - = JOINERY SIZES
 - = DATUM SIZES

READ IN CONJUNCTION WITH THE FOLLOWING DRAWINGS
XXXX-XXX to XXXX-XXX INCL.
ANY ARCHITECTS DRAWING
XXXXXXXXXXXXXXXXXX

ISSUED FOR APPROVAL



Joinery House 69 Chequers Lane - Dagenham RM9 6QJ
Tel: 020 8526 7020 Fax: 020 8526 7031
Website: www.kandd.org E-mail: info@kandd.org

CLIENT: M H Costa
PROJECT: 58A REDDINGTON ROAD
Post code
DESCRIPTION: Description
JOB N^o: N/A
SCALE: SEE DRAWING @ A1
DWG N^o: 20780G
REV: 01
DWG BY: ZK
DATE: 03/05/21