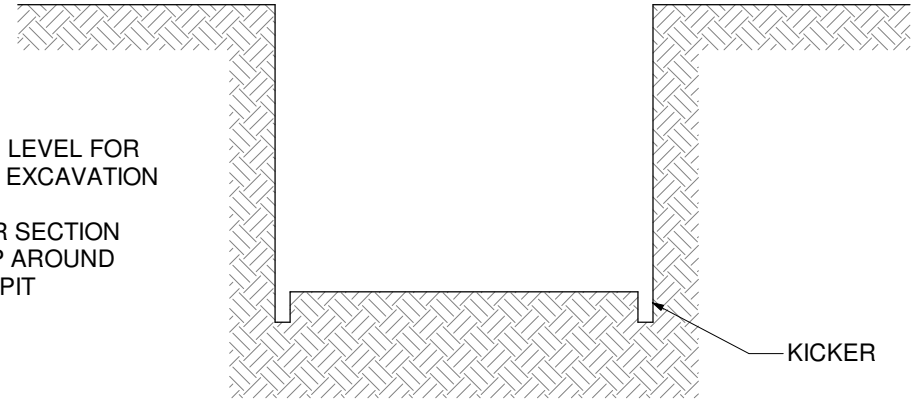


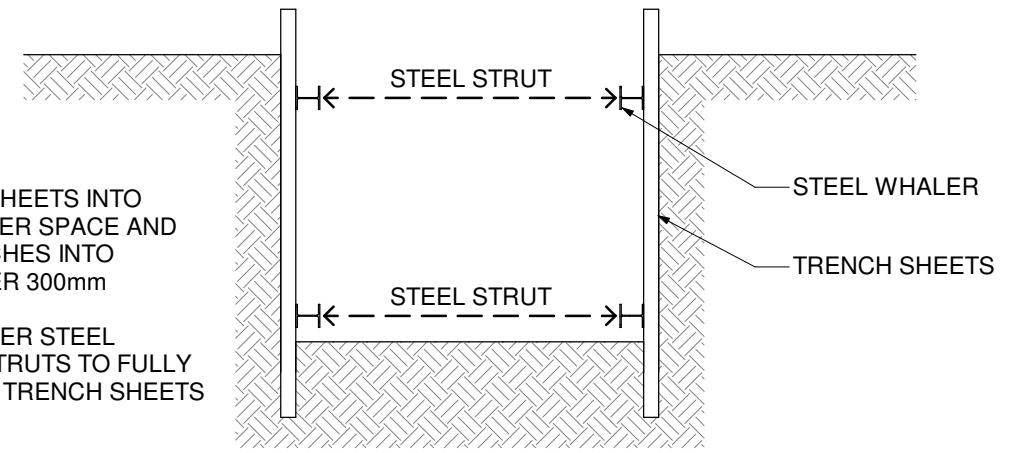
Stage 1

1. REDUCE GROUND LEVEL FOR THE 1st PHASE OF EXCAVATION
2. EXCAVATE KICKER SECTION APPROX 200 DEEP AROUND THE EXCAVATION PIT



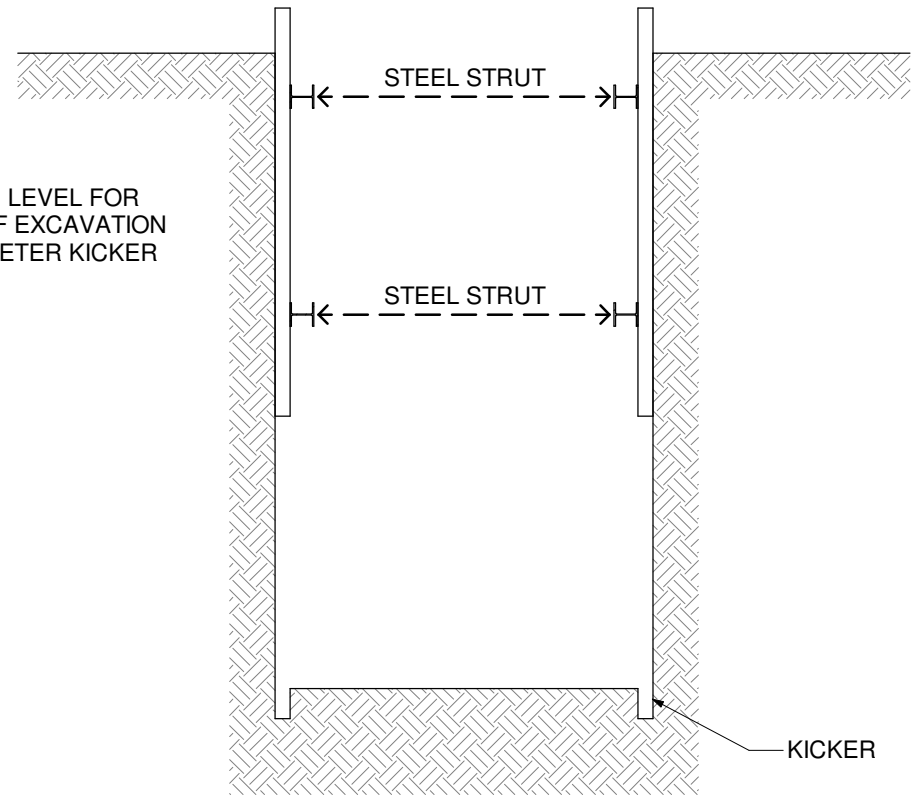
Stage 2

1. PLACE TRENCH SHEETS INTO EXCAVATED KICKER SPACE AND PUSH THE TRENCHES INTO GROUND FURTHER 300mm
2. INSTALL PERIMETER STEEL WHALERS AND STRUTS TO FULLY PROP INSTALLED TRENCH SHEETS



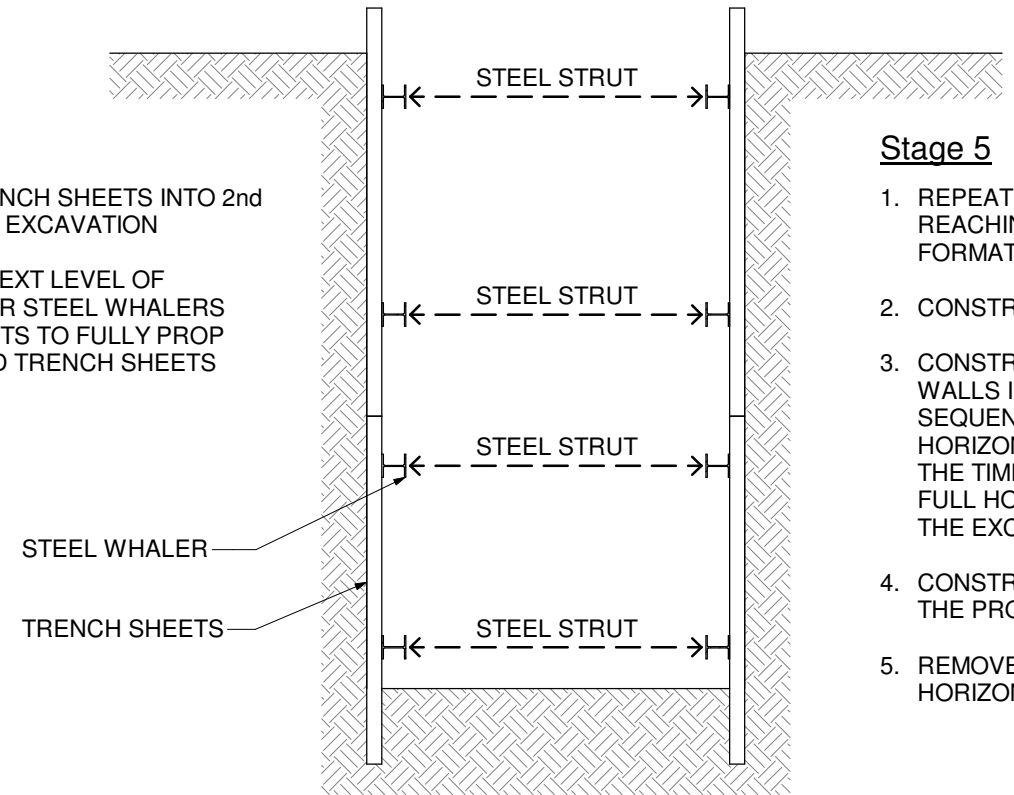
Stage 3

1. REDUCE GROUND LEVEL FOR THE 2nd PHASE OF EXCAVATION INCLUDING PERIMETER KICKER AS IN STAGE 1



Stage 4

1. PUSH TRENCH SHEETS INTO 2nd PHASE OF EXCAVATION
2. INSTALL NEXT LEVEL OF PERIMETER STEEL WHALERS AND STRUTS TO FULLY PROP INSTALLED TRENCH SHEETS



Stage 5

1. REPEAT STAGES 3 AND 4 UNTIL REACHING A PROPOSED FORMATION LEVEL
2. CONSTRUCT BASEMENT RC SLAB
3. CONSTRUCT BASEMENT RC WALLS IN VERTICAL SEQUENCING ENSURING HORIZONTAL STRUTTING IS ALL THE TIME IN PLACE PROVIDING FULL HORIZONTAL PROPPING TO THE EXCAVATION
4. CONSTRUCT RC SLAB ON TOP OF THE PROPOSED BASEMENT
5. REMOVE TEMPORARY HORIZONTAL PROPPING

engineersHRW

London 0207 407 9575 Oxford 01865 957360 www.ehrw.co.uk

P1	19.07.21	ISSUED FOR INFORMATION	DJP	KB
Rev	Date	Amendments	By	Chk'd

Scale at A3:	Drawn by:	Date:	Chk'd by:
1 : 50	DJP	JULY 2021	KB

Project:
7 Greenaway Gardens, London, NW3 7DJ

Drawing title:
Typical Trench Sheetting Sequence

Status: Purpose For Issue:
S2 INFORMATION

Drawing Number: Rev:
2095-HRW-XX-XX-SK-S-001 P1