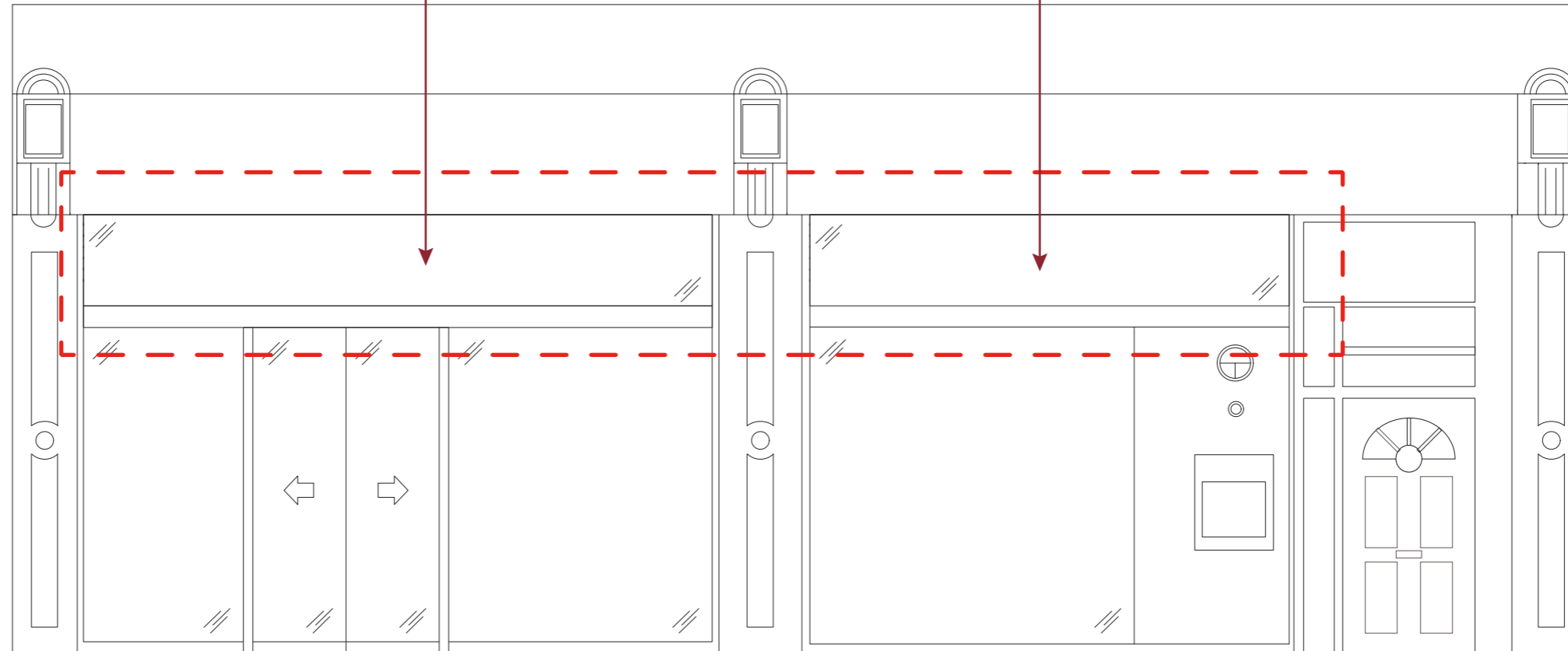


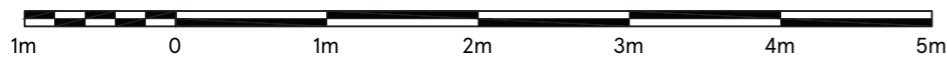
Existing Glazing above the Entrance door and the Shopfront to be removed.



SOUTH ELEVATION

SCALE BAR

1:50



DRAWING NO
03_2721_03A

SCALE
1:50@A3

CHECKED BY
SHIKHA
DRAWN BY
DEEKSHA

DATE
07.07.2021

STORE TYPE
EXPRESS

STORE NAME
BELSIZE PARK

CONTENT
EXISTING ELEVATION

TESCO
FEASIBILITY PLANNING
STORE PLANNING DEPARTMENT
PROPERTY SERVICES
HIGHWOODS BUILDING, KESTREL WAY
WELWYN GARDEN CITY, HERTFORDSHIRE, AL7 1GB UK
TELEPHONE : 01707 395150

THE COPYRIGHT AND ALL OTHER RIGHTS IN AND RELATING TO THIS PUBLICATION BELONG TO AND ARE THE SOLE PROPERTY OF TESCO STORES LIMITED. ALL RIGHTS ARE RESERVED. NEITHER THE WHOLE NOR ANY PART OF THIS PUBLICATION MAY BE REPRODUCED OR TRANSMITTED IN ANY FORM OR BY ANY ELECTRONIC OR MECHANICAL MEANS INCLUDING PHOTOCOPYING AND RECORDING OR FROM ANY RETRIEVAL SYSTEM WITHOUT THE PRIOR WRITTEN LICENCE FROM THE OWNER © 1997 TESCO STORES LIMITED