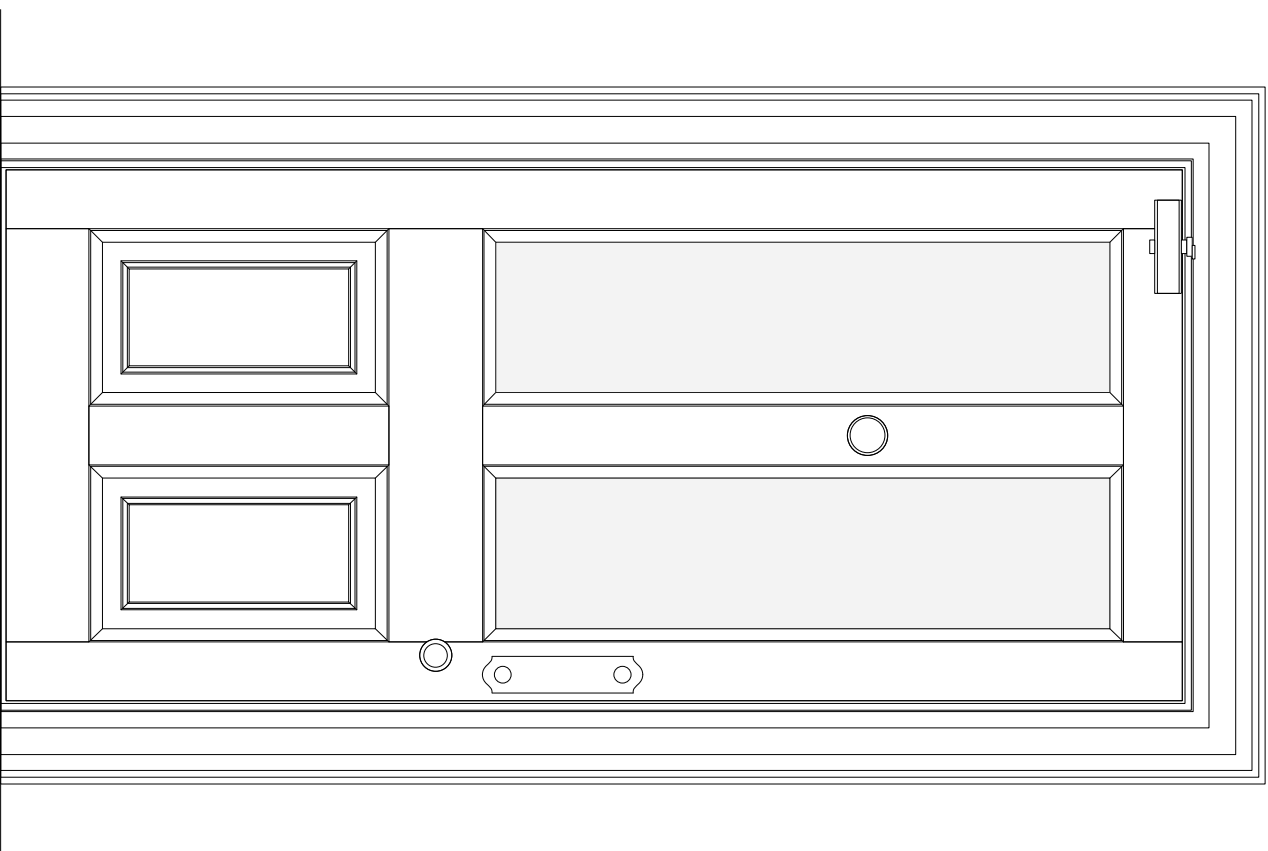
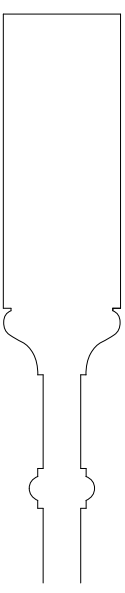


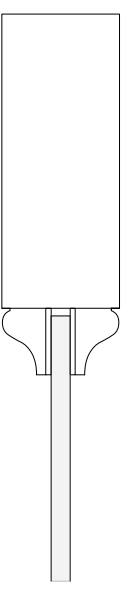
1. Proposed Elevation from outside room



2. Proposed Elevation from within room



3. Proposed mouldings profile 1:2



4. Proposed vision panel detail 1:2

No	Date	By	Comments

Status	Purpose of Issue
-	PLANNING

THE BRITISH MUSEUM
 FS-DW LIFE SAFETY PROJECTS 2020-2021
 PROJECTS 3 AND 4: FIRE DOORS
Dannatt Johnson Architects
 Unit 1 The Wireworks 77 Great Suffolk Street London SE1 0BU
 Tel (020) 7397 7100 Email: dja@djaarchitects.co.uk

Title
Proposed Door Leaf ID#8

Drawing Number	Revision	
613-DJA-DR-A-72002	P01	
RIBA Stage	DJA Ref	Scale(s)
4	613	1:10 1:2 A3