

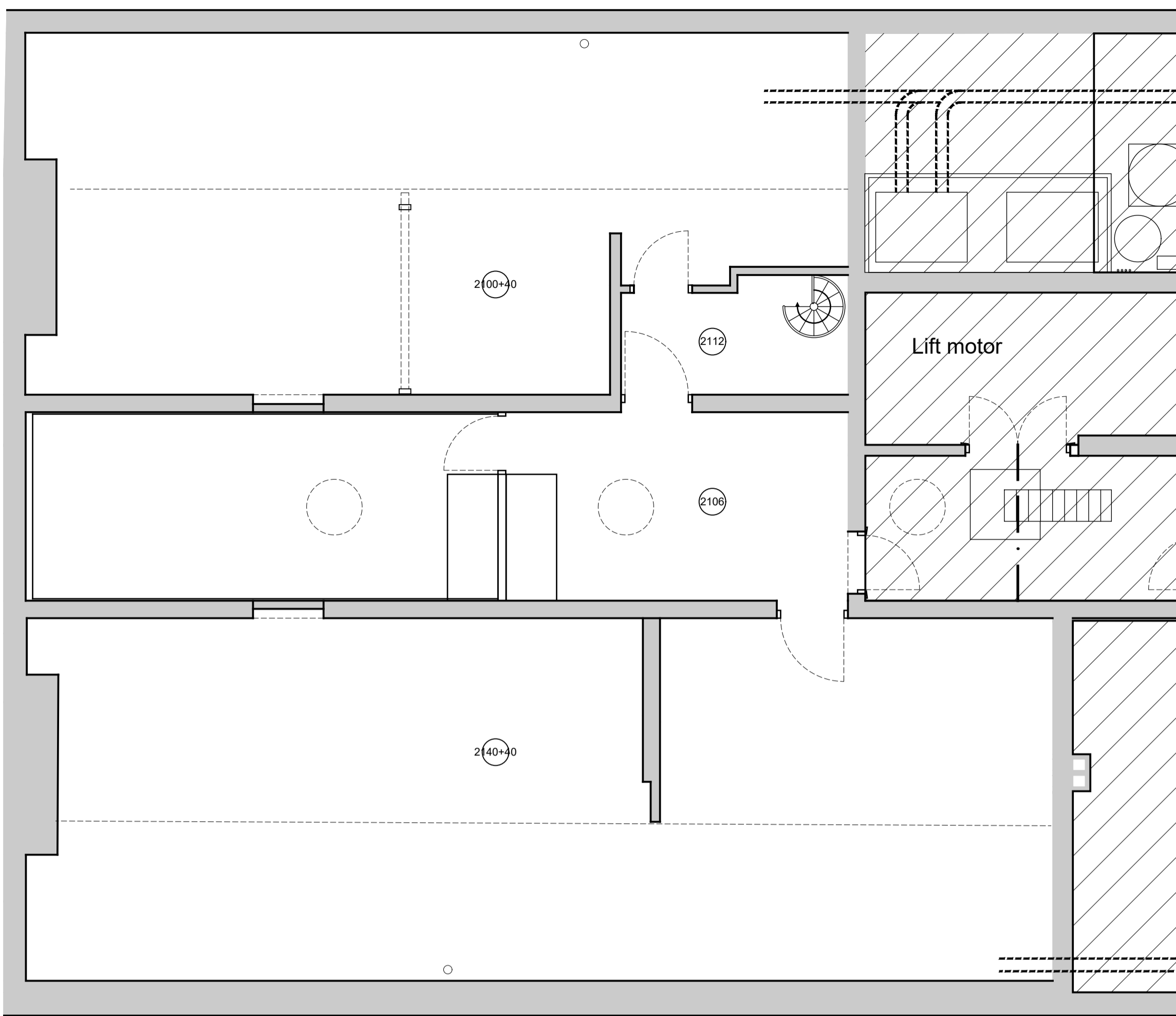
THIS DRAWING MUST BE READ IN CONJUNCTION WITH OTHER ARCHITECTS, CONSULTANTS, SUB-CONTRACTORS AND SPECIALIST DRAWINGS.

ALL DIMENSIONS ARE IN MILLIMETRES UNLESS STATED OTHERWISE.

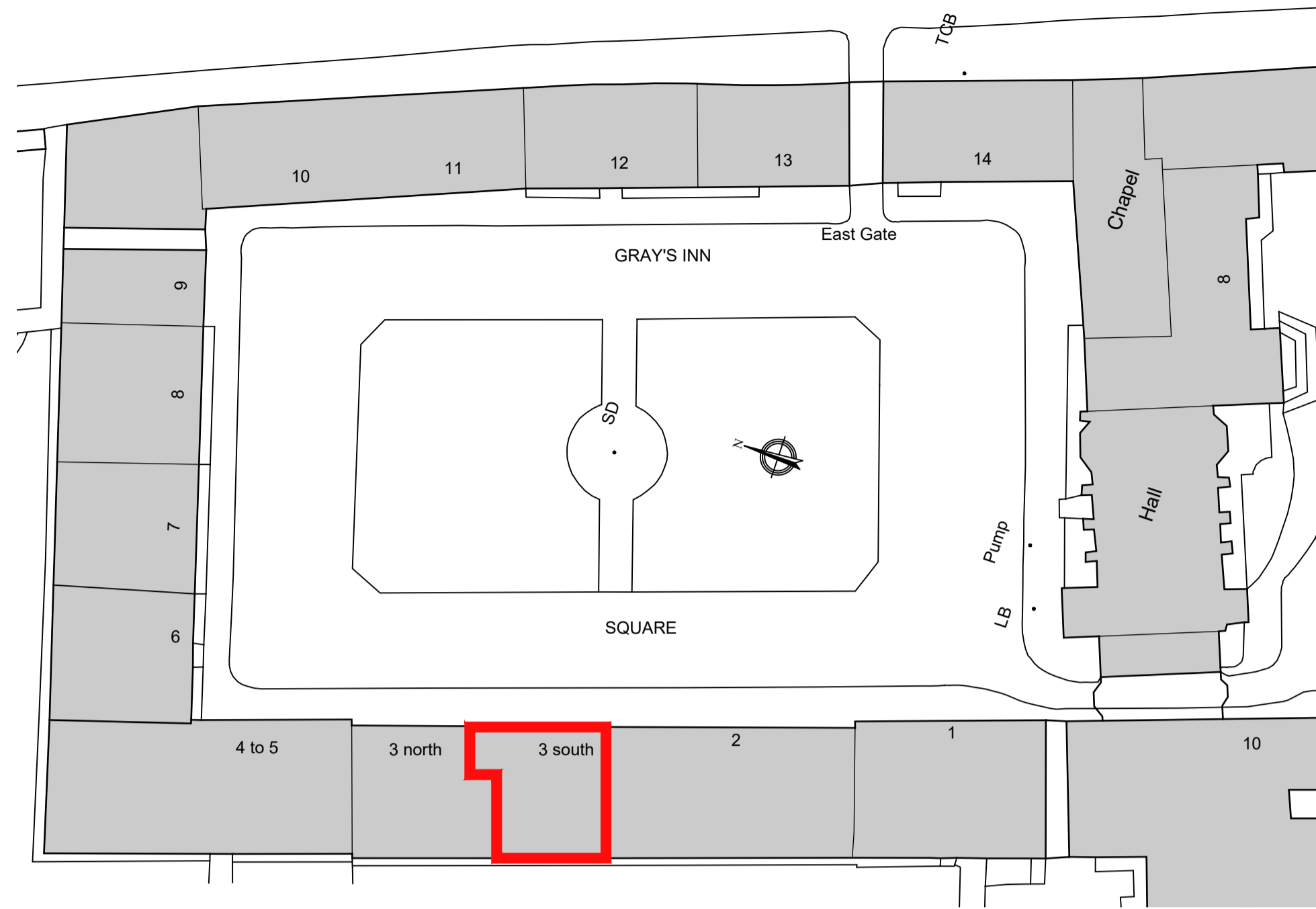
ALL DIMENSIONS ARE TO BE VERIFIED ON SITE AND CONFIRMED BY THE CONTRACTOR, BEFORE COMMENCEMENT OF CONSTRUCTION.

IF THIS DRAWING EXCEEDS THE QUANTITIES TAKEN, IN ANY WAY, THE ARCHITECTS ARE TO BE INFORMED BEFORE THE WORK IS PUT IN HAND.

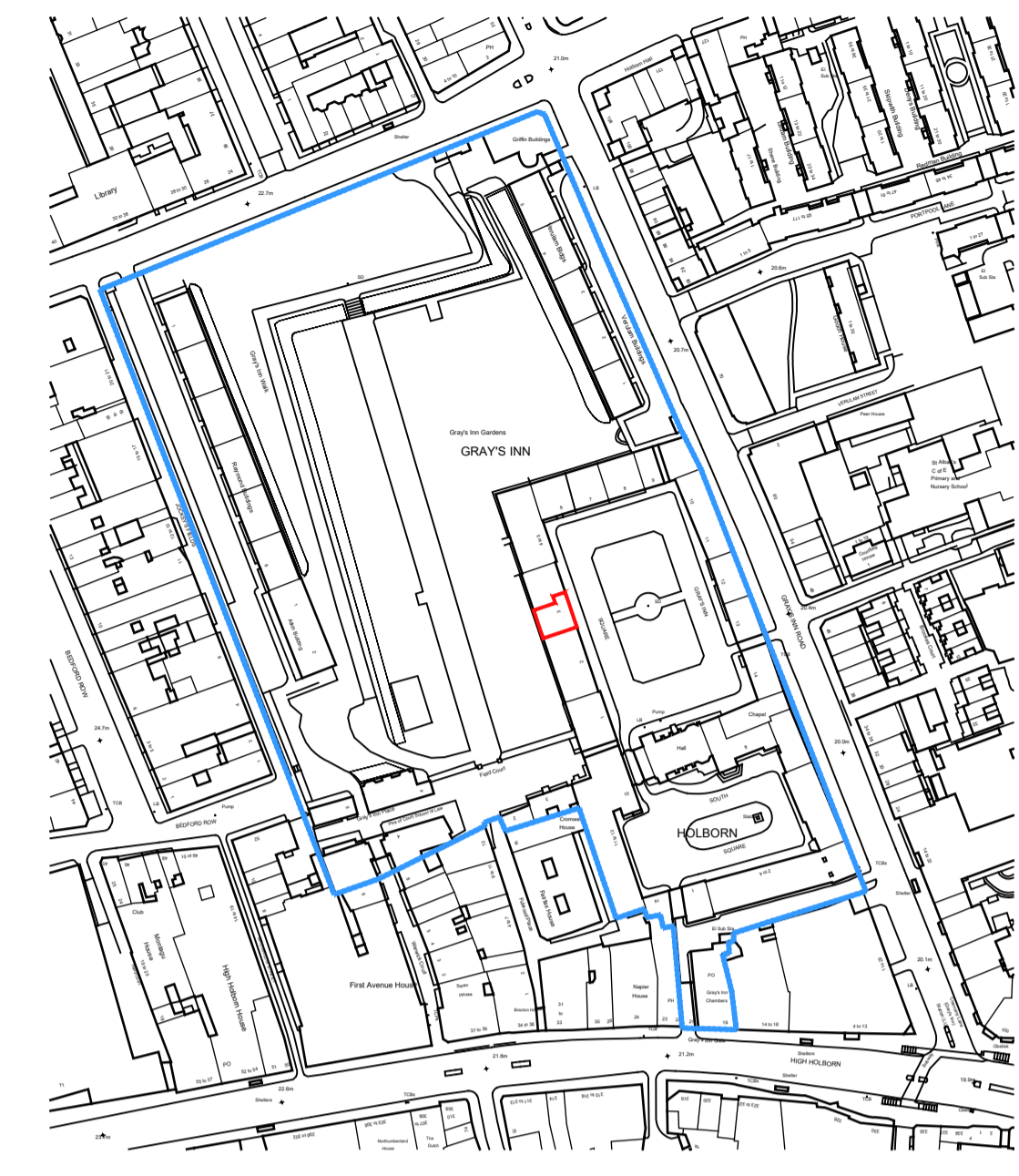
Rev	Date	Revision	By	CHK
00.00.00				



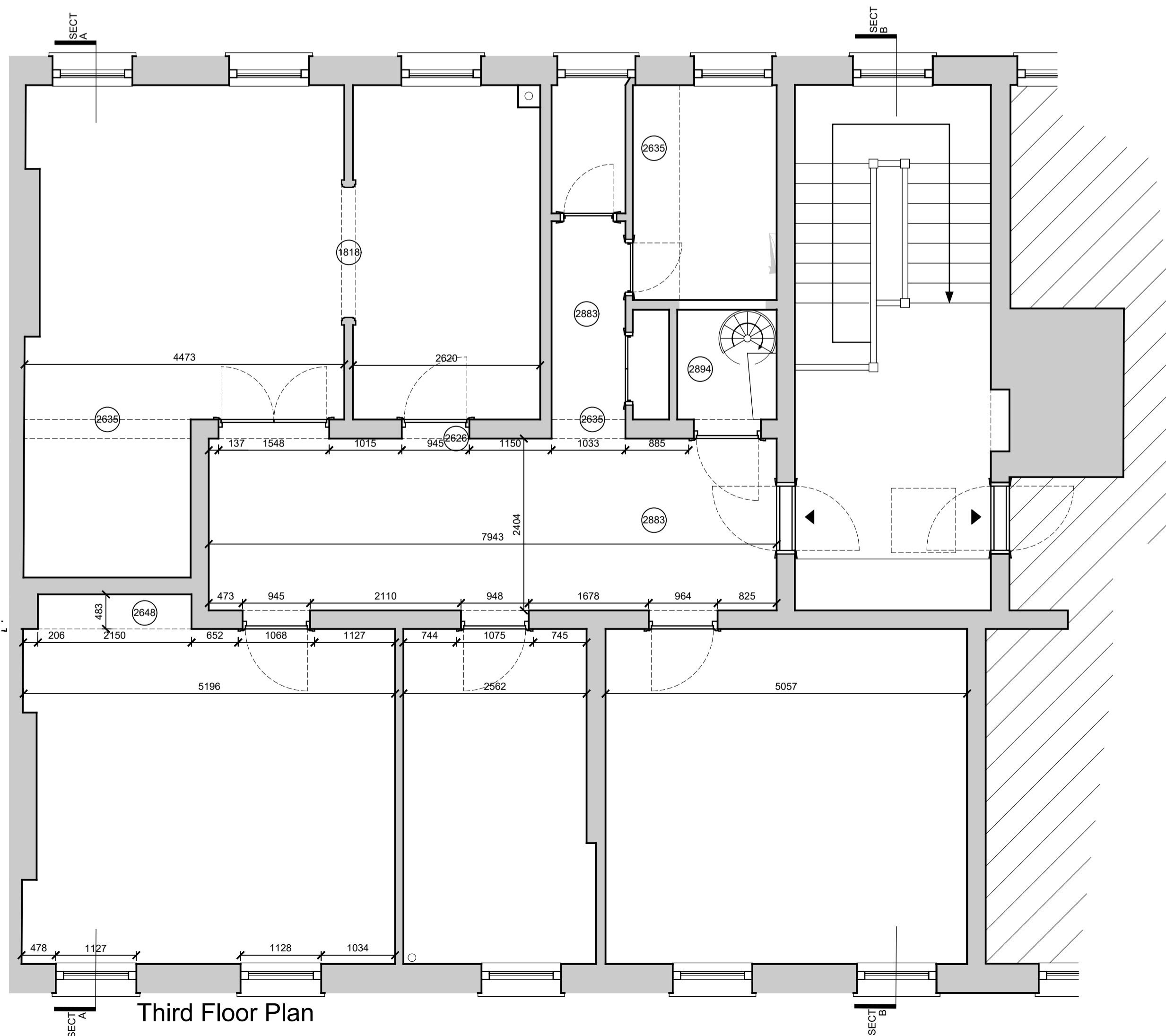
Roof Void Plan



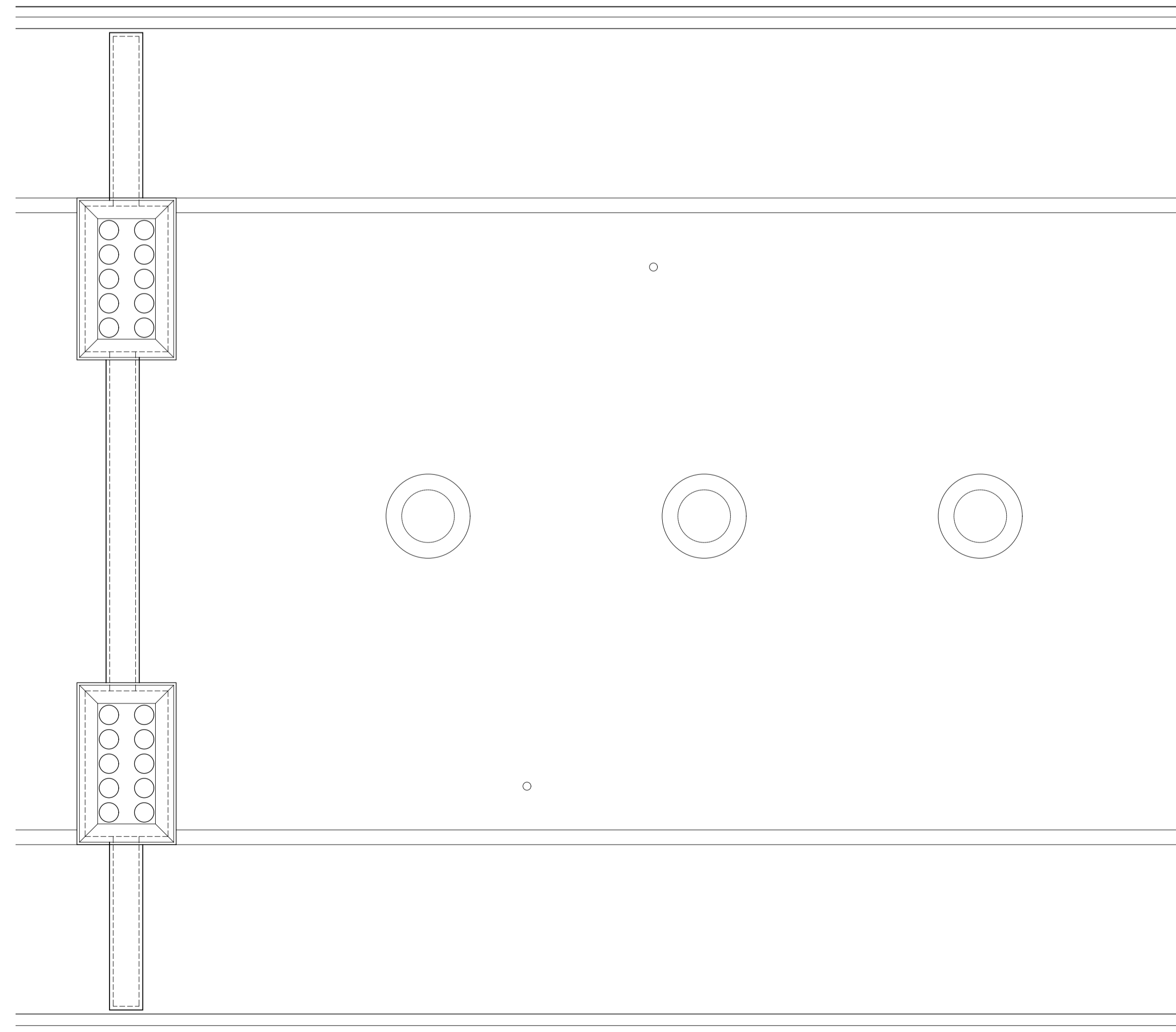
SITE PLAN
Scale 1:500



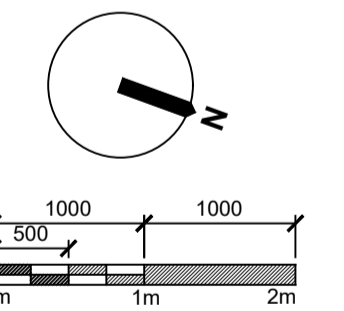
Location Plan
Scale Bar 1:2500



Third Floor Plan



Roof Plan



ghk ARCHITECTS

Historic Building Specialists

Gilmore Hankey Kirke Limited ©
5 Port House, Square Rigger Row,
Plantation Wharf, London SW11 3TY

Tel: +44 (0)20 7471 8000

Email: mail@ghkarchitects.co.uk

Web: www.ghkarchitects.co.uk

Client

The Honourable Society of Gray's Inn

Project Name
No 3 Gray's Inn Square
3rd floor Flat South, WC1R 5AH

Drawing
Third Floor, Roof Void and Roof Plans
As Existing

Scale 1:50 @A1

Drawn by ANM 10 May 2021

Checked by RJY 10 May 2021

Project No. Drawing No Revision

HK2277 01.001