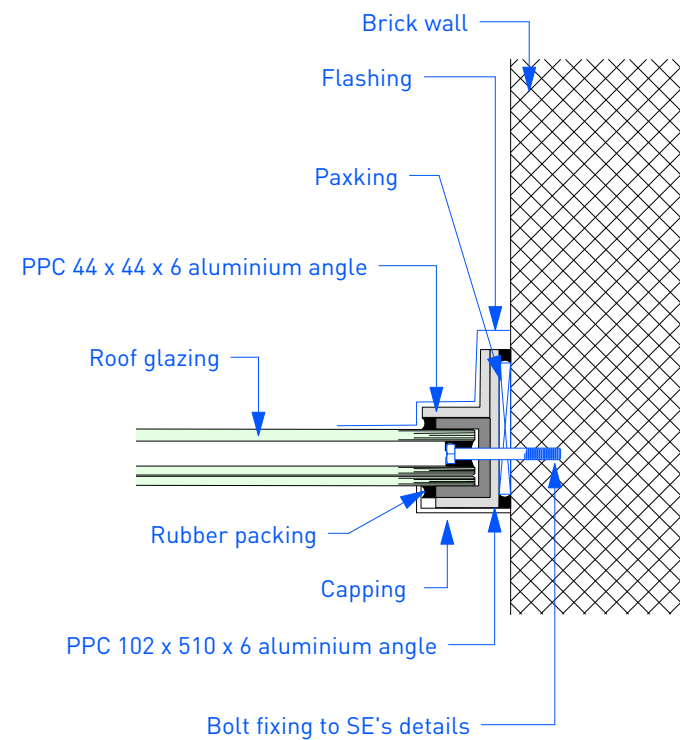


**Roof glazing detail 1:5**  
Rear wall fixing



**Roof glazing detail 1:5**  
Side wall fixing

**CP DESIGN**

Project  
The Mews House  
33 Bedford Avenue  
WC1B 3DP

Drawing  
Conservatory Details  
Roof Fixing Details

**FOR APPROVAL**

Rev	Date	Notes
-	2021-06-11	Issued for approval

Scale	1:5 @ A3	Drawn by	cp
-------	----------	----------	----

Number	BSQ-D01	Revision	-
--------	---------	----------	---