

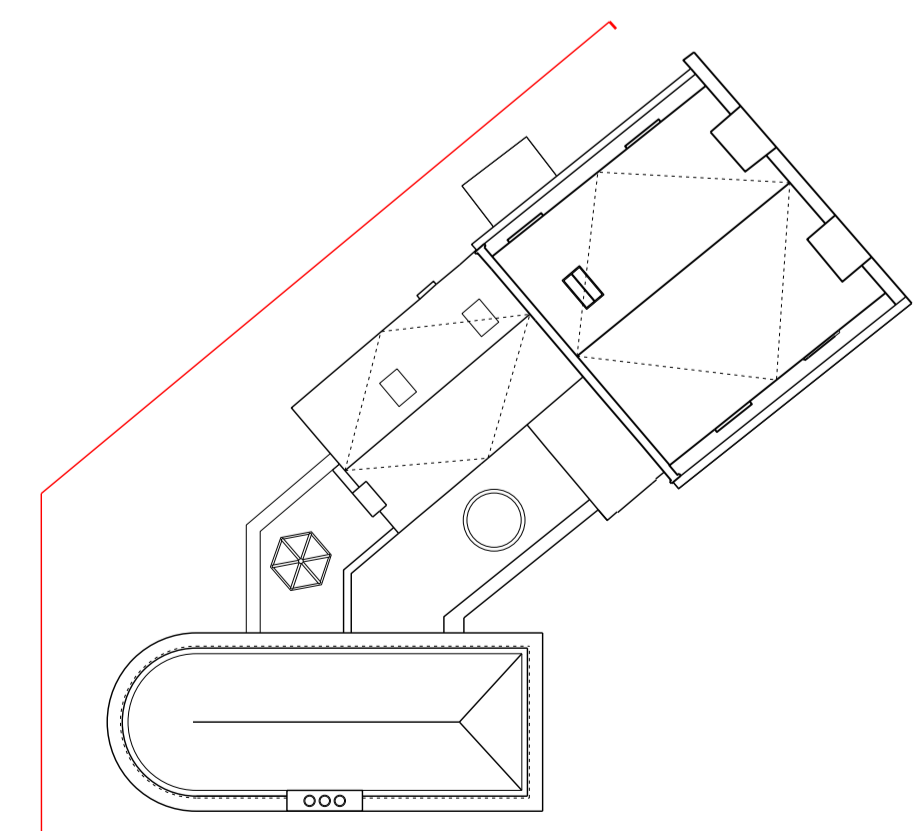
DO NOT SCALE OFF THIS DRAWING. DIMENSIONS, AREA AND LEVELS ARE ONLY APPROXIMATE AND SUBJECT TO SITE SURVEY. ALL DIMENSIONS TO BE CHECKED ON SITE. ANY DISCREPANCIES OR VARIATIONS TO BE REPORTED TO THE ARCHITECT BEFORE WORK COMMENCES.

THIS DRAWING IS TO BE READ IN CONJUNCTION WITH THE SPECIFICATION WHERE PROVIDED, AND ALL RELEVANT CONSULTANTS DRAWINGS AND FOR SPECIALISTS DRAWINGS (DOCUMENTS AND ANY DISCREPANCIES OR VARIATIONS ARE TO BE REPORTED TO THE ARCHITECT BEFORE THE AFFECTED WORK COMMENCES.

THIS DRAWING IS PROTECTED BY COPYRIGHT AND MUST NOT BE COPIED OR REPRODUCED WITHOUT THE WRITTEN CONSENT OF CHRIS DYSON ARCHITECTS LLP. NORTH POINTS SHOWN ARE INDICATIVE. ©



1 PROPOSED REAR ELEVATION



2 1:200 PROPOSED GROUND FLOOR KEYPLAN

0 1 2 3 4 5
SCALE IN METRES @ 1:25

REV	DATE	NOTES	INT.
05	04.06.21	PLANNING ISSUE	MF
04	17.05.21	PLANNING ISSUE	DR
03	31.07.19	PLANNING ISSUE	MF
02	04.07.19	REVISED PRE-APP HE	VB
01	30.05.19	PRE-APP RESPONSE	DR
00	11.01.19	PRE-APP ISSUE	JR

PROJECT
45 HIGHGATE WEST HILL

DRAWING TITLE
PROPOSED REAR ELEVATION

STATUS
PLANNING

DATE	DRAWN	CHECK	SCALE @ A3	SCALE @ A1	REVISION LETTER
JAN 2018	JR	MW	SCALE @ A3 1:100	SCALE @ A1 1:50	
PROJECT NUMBER	DRAWING NUMBER				
DRAWING AND CAD FILE NUMBER:					
0417	A	1102	05		

CHRIS DYSON ARCHITECTS
1 FASHION STREET
SPITALFIELDS
LONDON E1 6LY
T: 020 7247 1816
F: 020 7377 6082
W: www.chrisdyson.co.uk