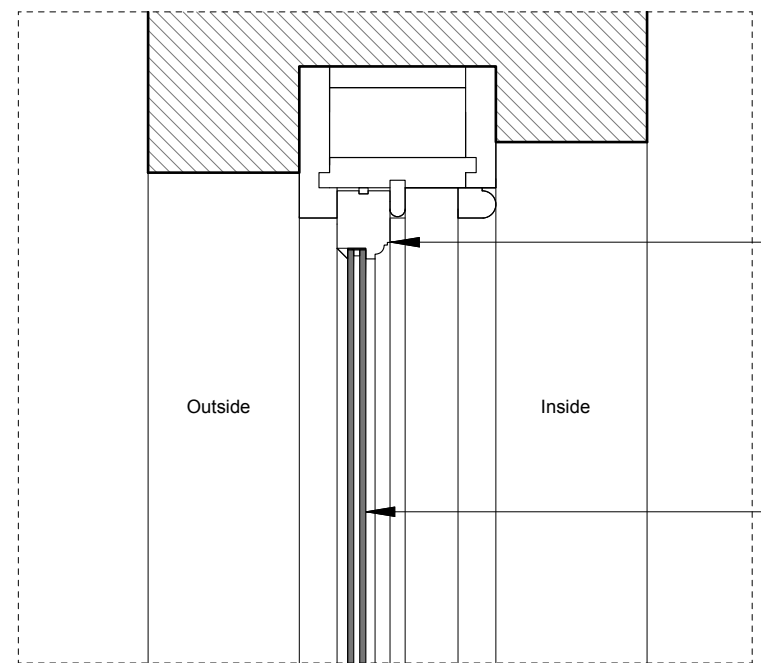
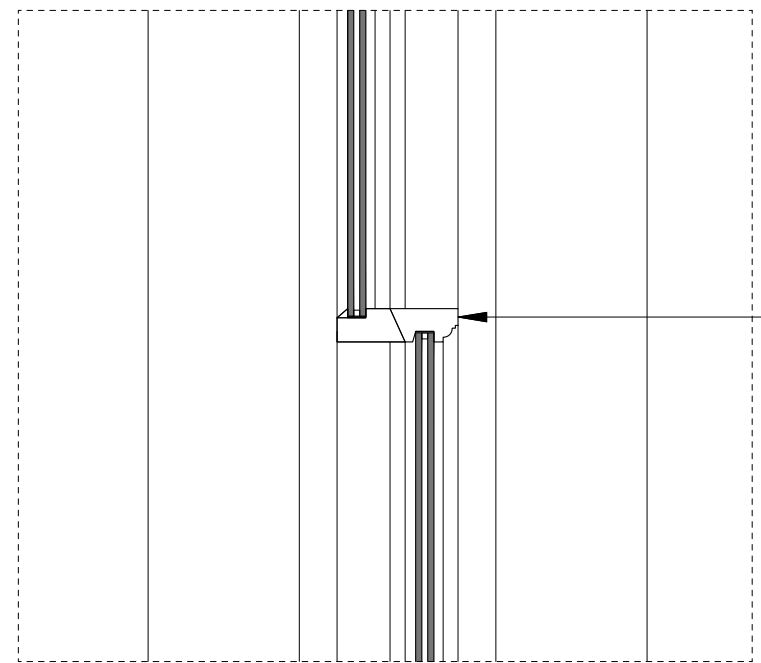


WINDOW SECTION 1/5 @ A3



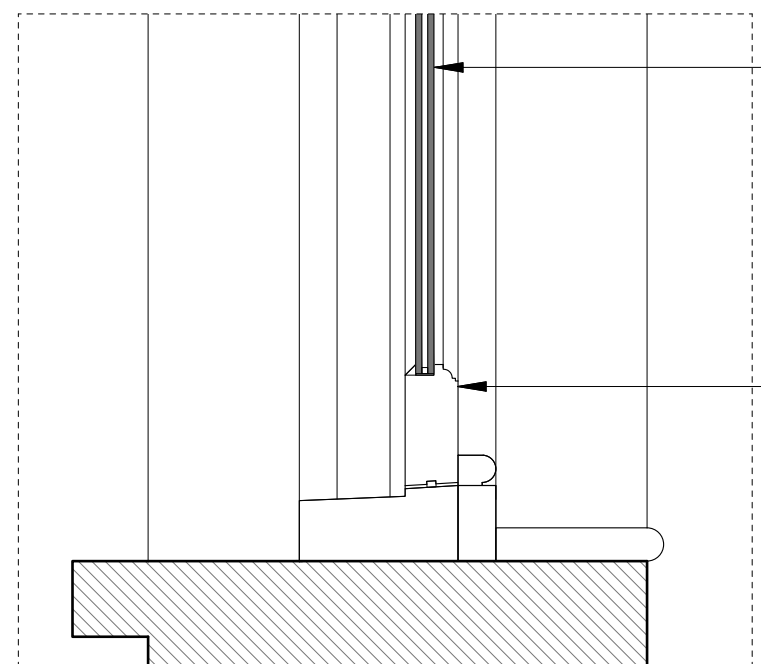
Proportions and design of joinery details and decorative moulding to match existing windows. White paint finish

4:4:4 slimline double glazed units with puty line to exterior



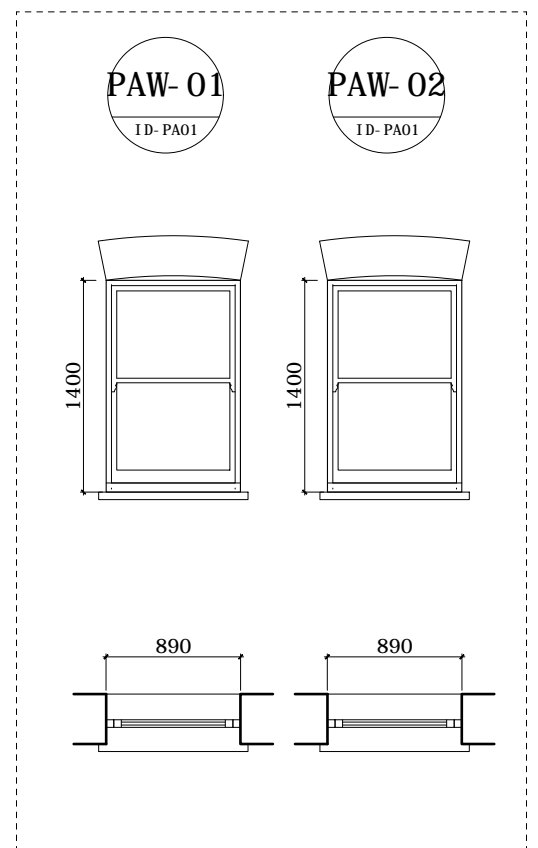
Proportions and design of joinery details and decorative moulding to match existing windows. White paint finish

4:4:4 slimline double glazed units with puty line to exterior

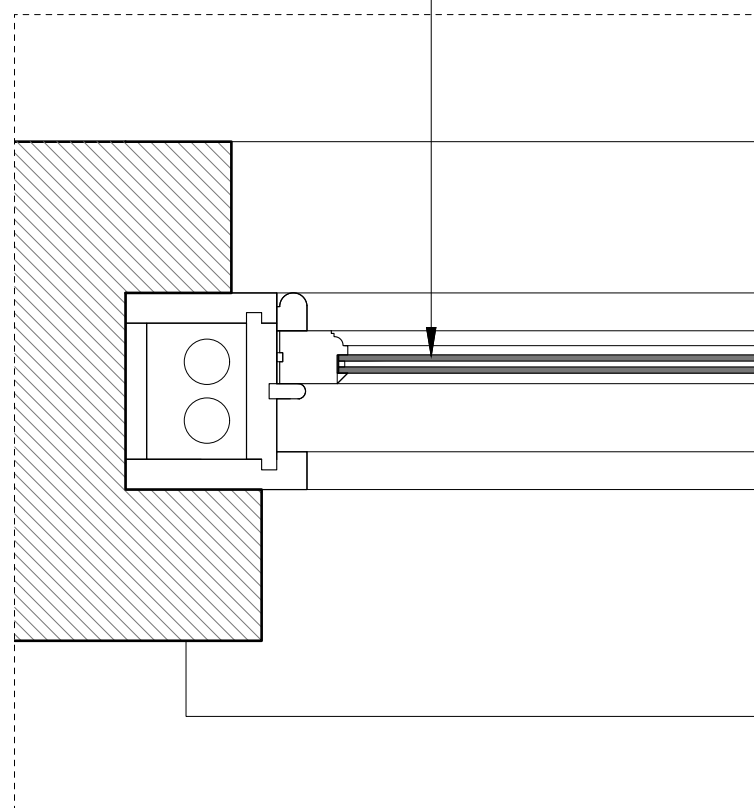


Proportions and design of joinery details and decorative moulding to match existing windows. White paint finish

TIMBER SASH WINDOW SCHEDULE 1/50 @ A3

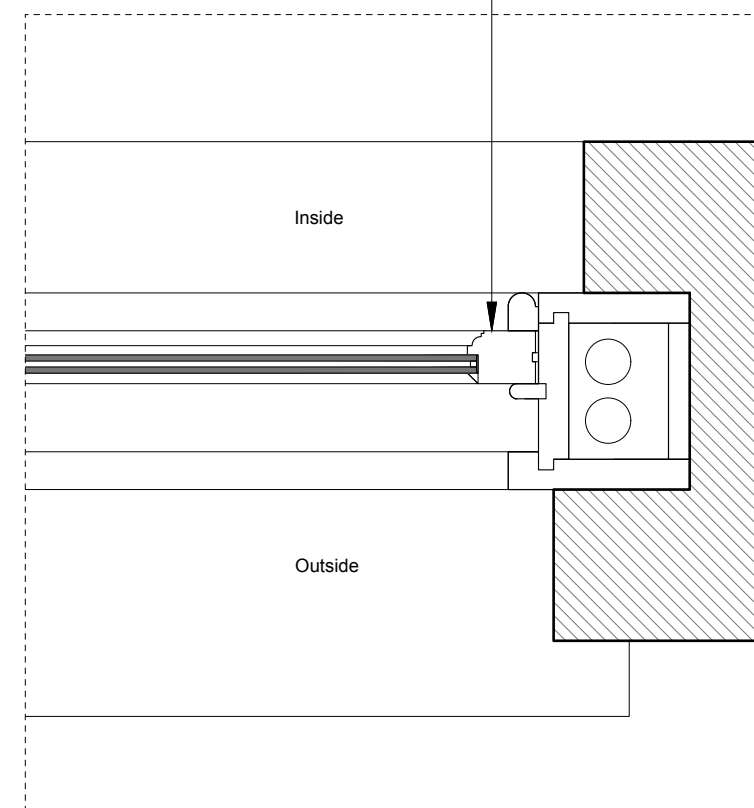


WINDOW PLAN



Proportions and design of joinery details and decorative moulding to match existing windows. White paint finish

4:4:4 slimline double glazed units with puty line to exterior



NOTES

DO NOT SCALE FROM THIS DRAWING EXCEPT FOR THE PURPOSES OF PLANNING AND BUILDING REGULATIONS. ALL DIMENSIONS TO BE CHECKED ON SITE.

REVISION: **B** 07.06.2021

PROJECT TITLE
73 CANFIELD GARDENS

AURAA
STUDIO

www.auraa.studio 1A Chalk Farm Parade
info@auraa.studio London NW3 2BN

TITLE
PROPOSED TIMBER SASH WINDOWS

DATE 07.06.2021

SCALE 1/5 @ A3

DRAWN GC / RL

STATUS INFORMATION

DRG No 2064_PA_310

REV: **B**