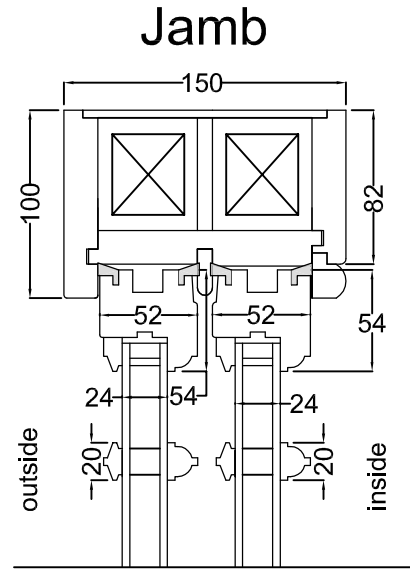
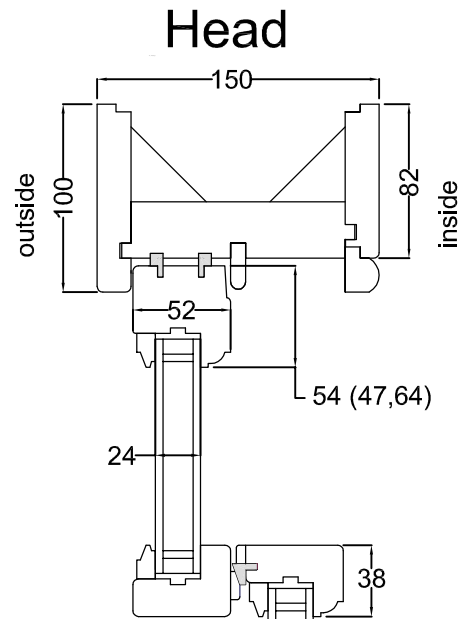
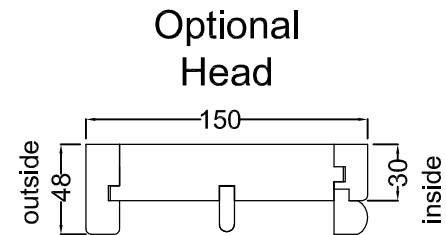
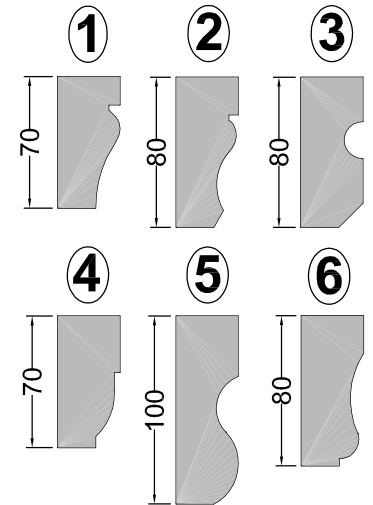


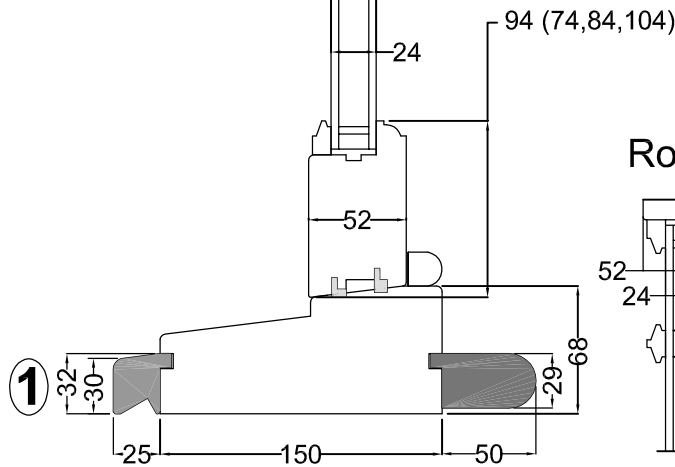
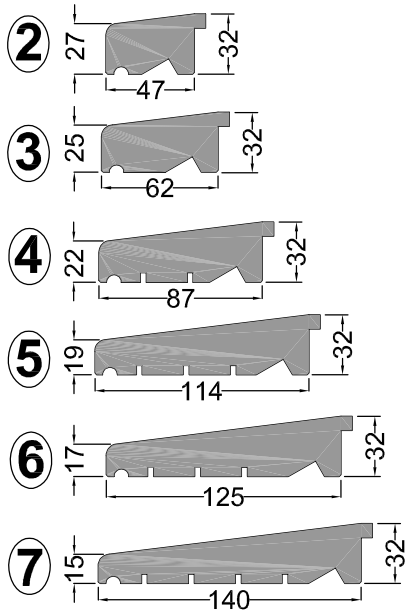
Sash weights 150 - external glazing - SLAT - double glaze



Optional Sash Horn



Optional Extension Cill



Optional Sash Profiles

