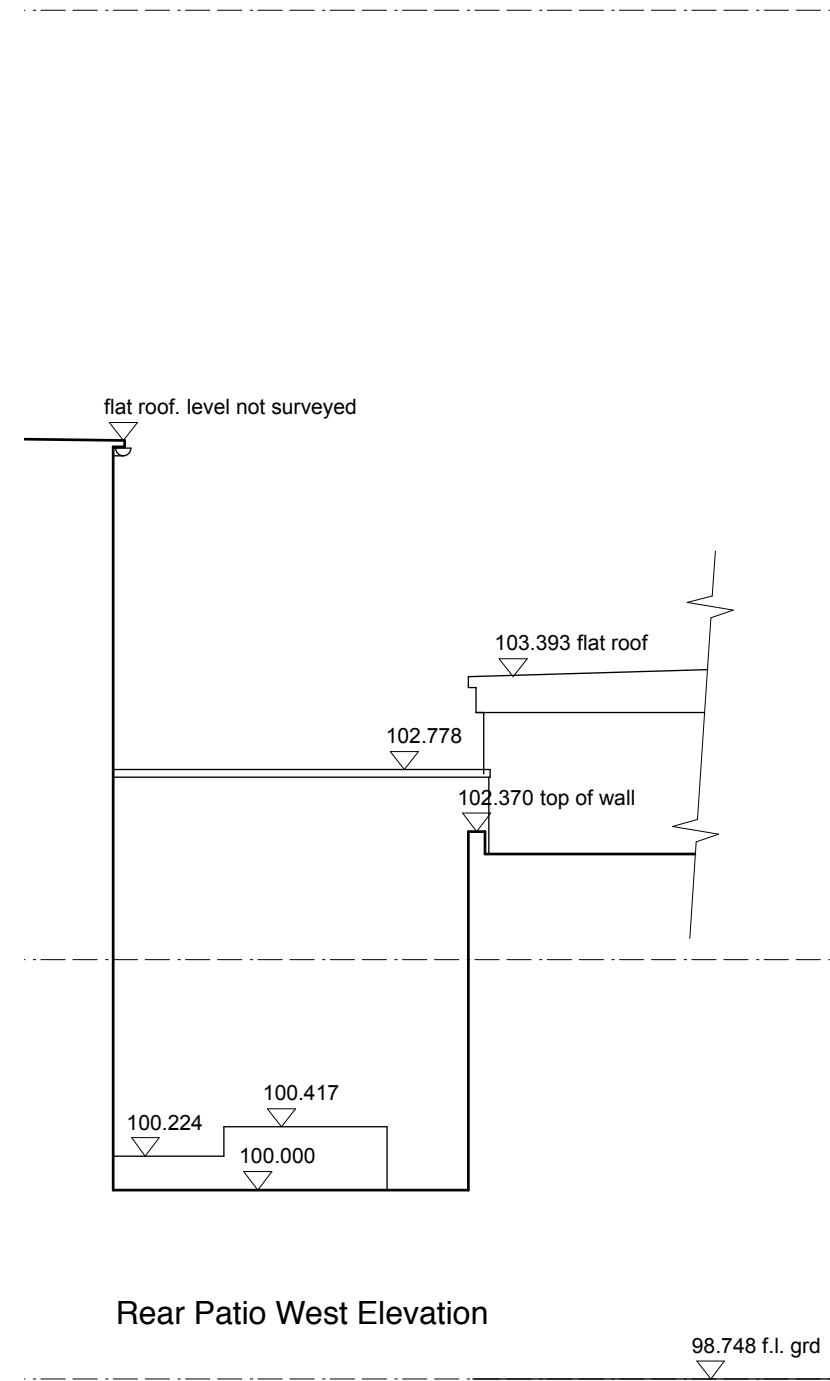
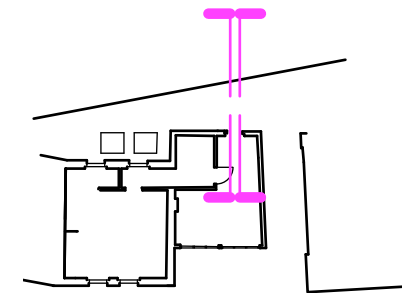


Rear Patio East Elevation



Rear Patio West Elevation



Revisions

4orm

1-5 Offord Street London N1 1DH

studio@4orm.co.uk
 www.4orm.co.uk

Project
71b Flask Walk Hampstead NW3
formerly
 The Wells and Campden Baths and Wash-Houses

Drawing Title
patio courtyard
proposed east & west elevations

Drawing Status
preliminary

Date Scale @ A3 Drawn
 october 2020 1:50

Drawing Number
4139-P.112

