

Revisions

**4orm**  
 1-5 Offord Street London N1 1DH  
 studio@4orm.co.uk  
 www.4orm.co.uk

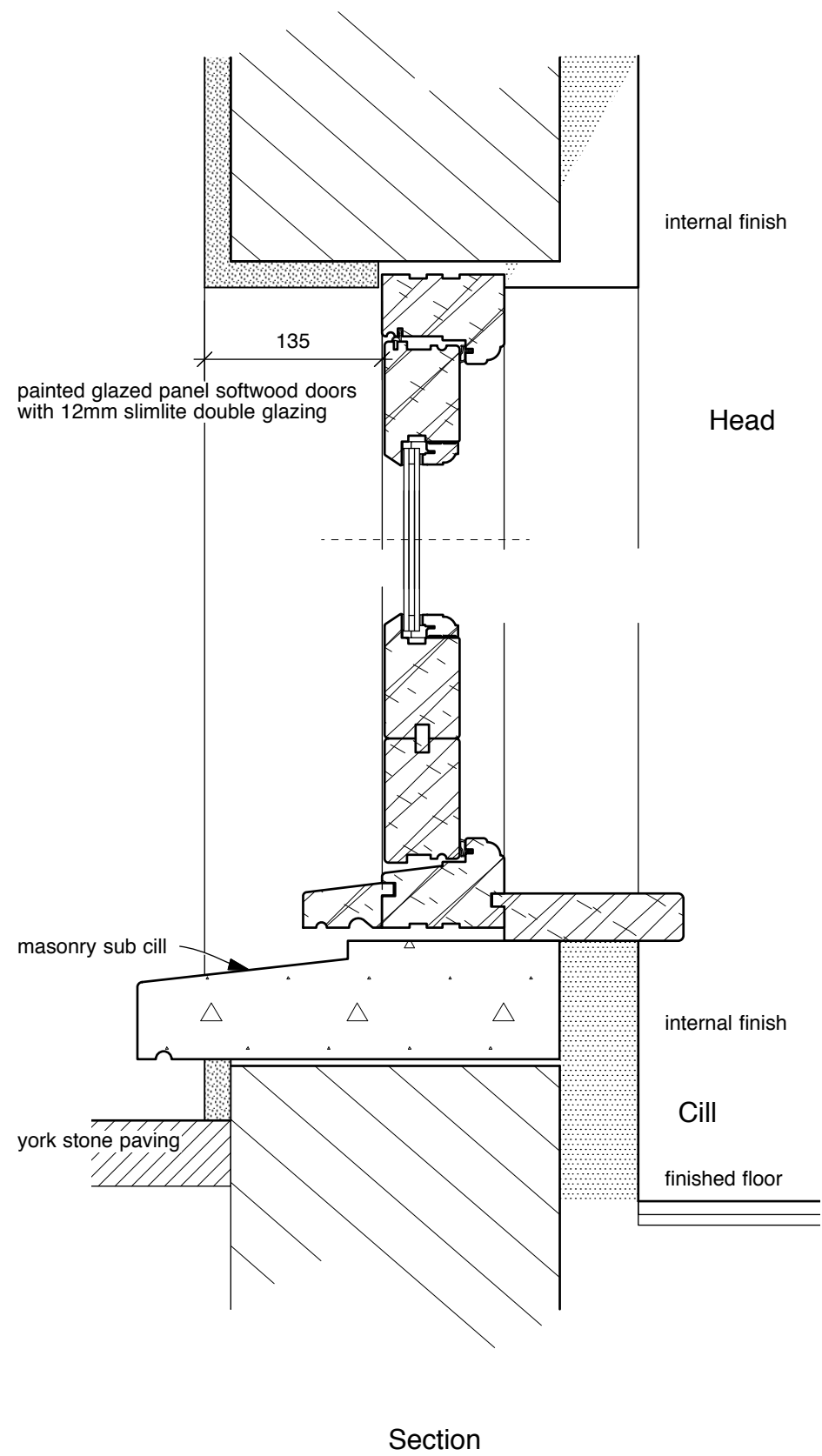
Project  
 71b Flask Walk Hampstead NW3  
 formerly  
 The Wells and Campden Baths and Wash-Houses

Drawing Title  
 External joinery details  
 lower ground casement window

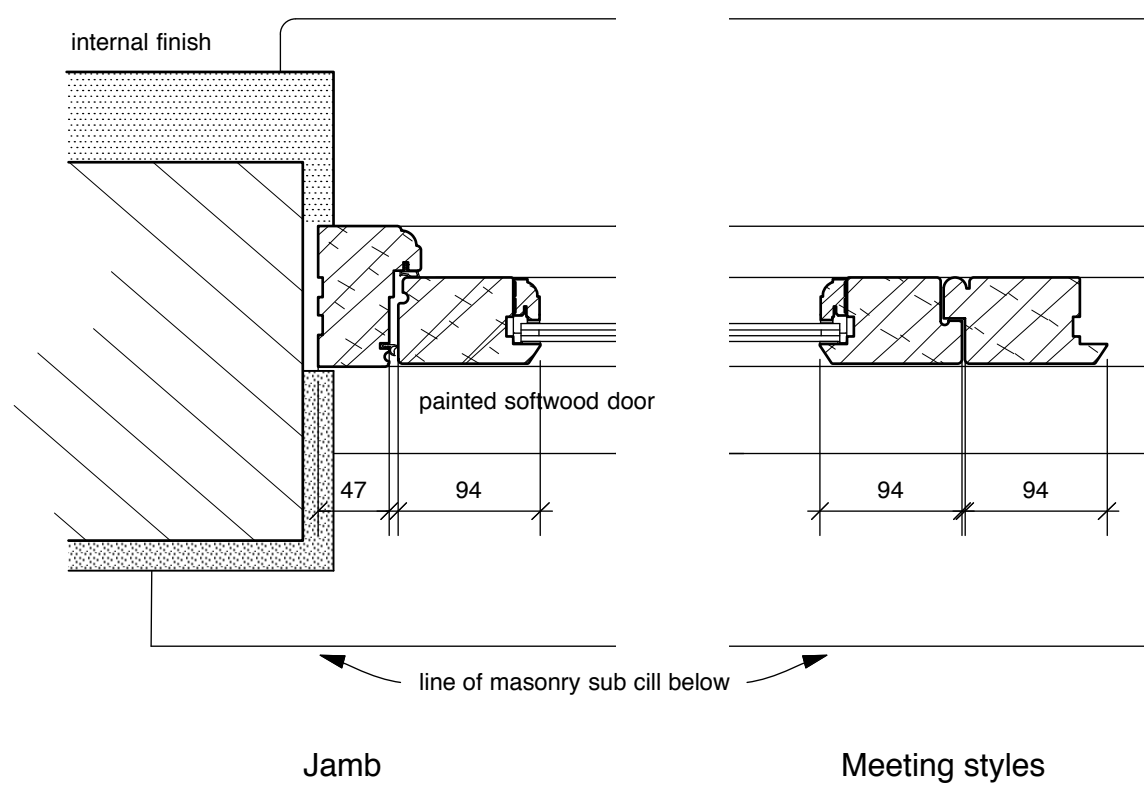
Drawing Status  
 planning

Date Scale @ A3 Drawn  
 october 2020 1:5

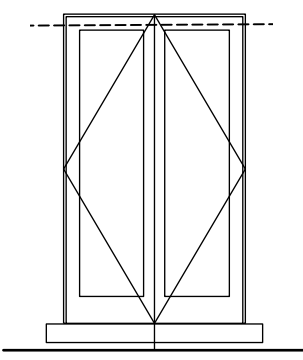
Drawing Number  
 4139-A.20 A



Section



Plan



Elevation (1:50)

Revisions

4orm

1-5 Offord Street London N1 1DH  
 studio@4orm.co.uk  
 www.4orm.co.uk

Project  
 71b Flask Walk Hampstead NW3  
 formerly  
 The Wells and Campden Baths and Wash-Houses

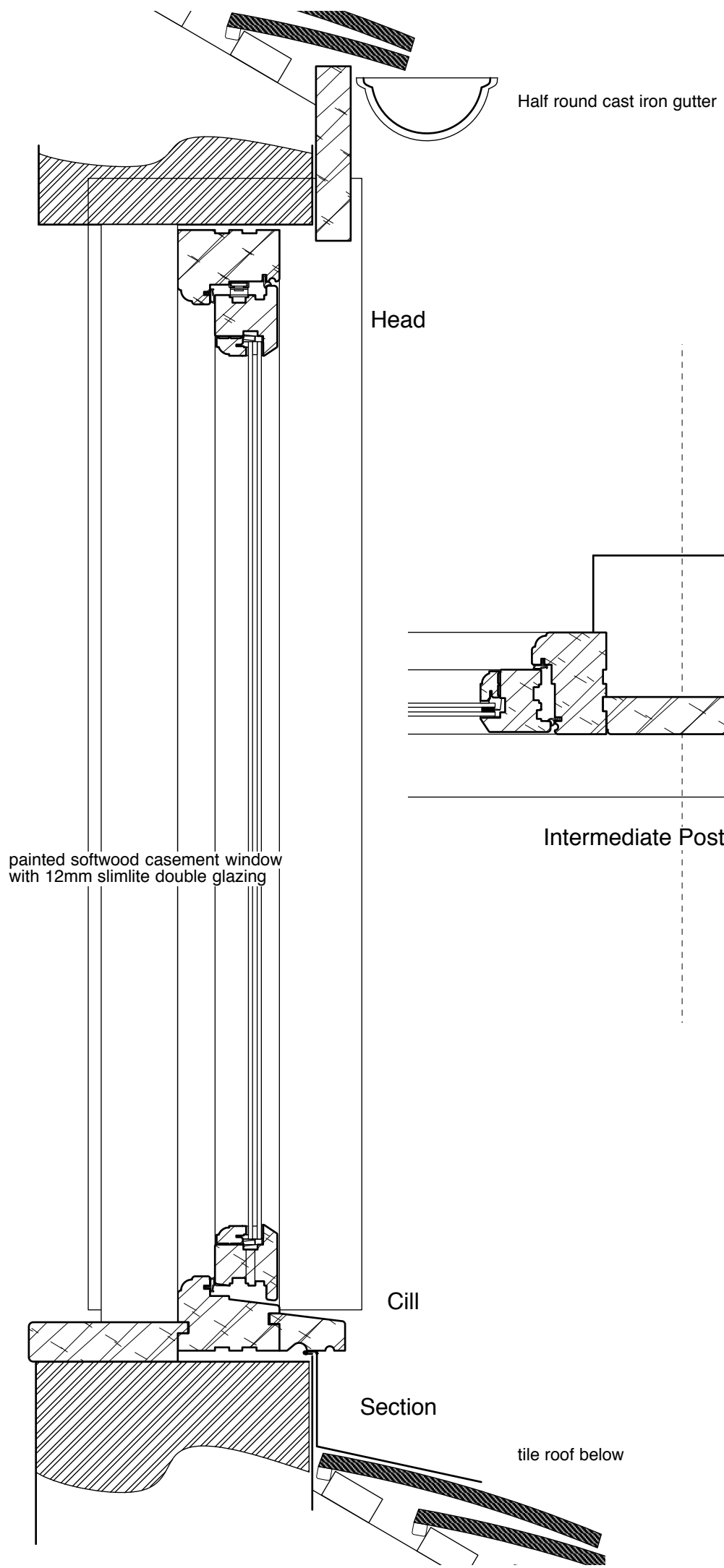
Drawing Title  
 External joinery details  
 lower ground doors

Drawing Status  
 planning

Date Scale @ A3 Drawn  
 october 2020 1:5

Drawing Number  
 4139-A.21 A

Do not scale from this drawing.  
 Dimensions are to be verified on site prior to construction.  
 Notes



Head

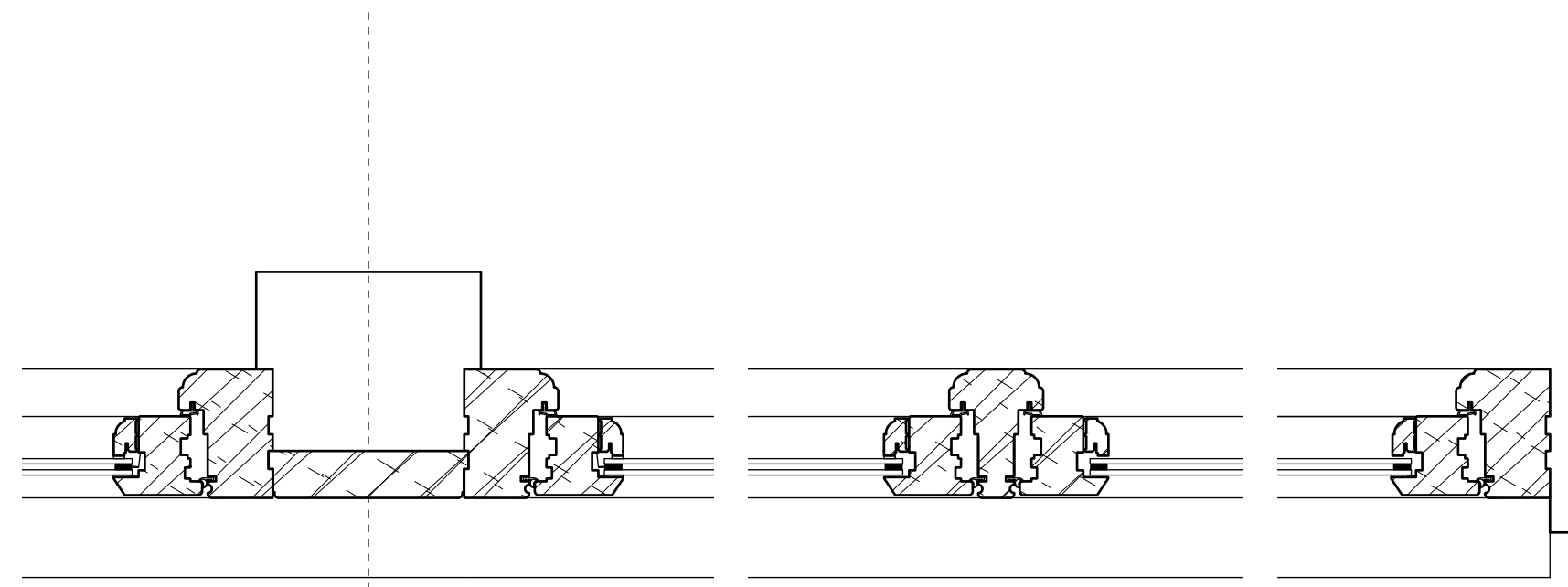
Half round cast iron gutter

Cill

Section

tile roof below

painted softwood casement window  
 with 12mm slimlite double glazing

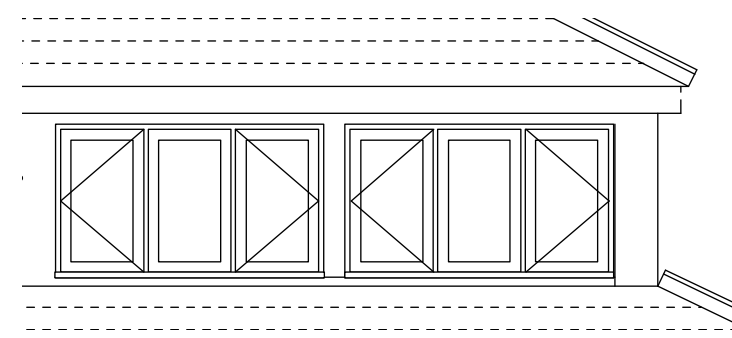


Intermediate Post & Jambs

Mullion

Jamb

Plan



Elevation (1:50)



Revisions

**4orm**

1-5 Offord Street London N1 1DH

studio@4orm.co.uk  
 www.4orm.co.uk

Project  
 71b Flask Walk Hampstead NW3  
 formerly  
 The Wells and Camden Baths and Wash-Houses

Drawing Title  
 External joinery details  
 first floor casement windows

Drawing Status  
 planning

Date	Scale @ A3	Drawn
october 2020	1:5	

Drawing Number  
**4139-A.22 A**