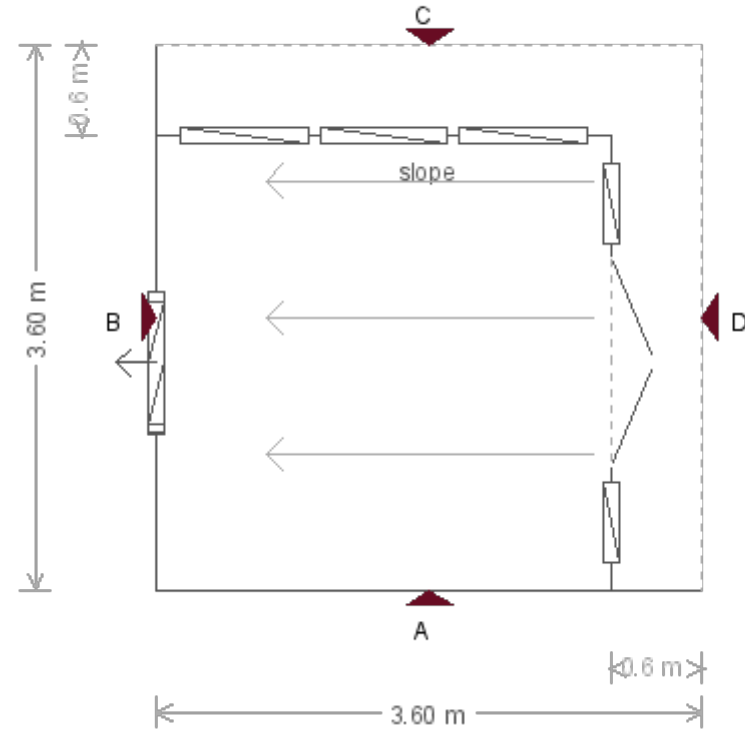
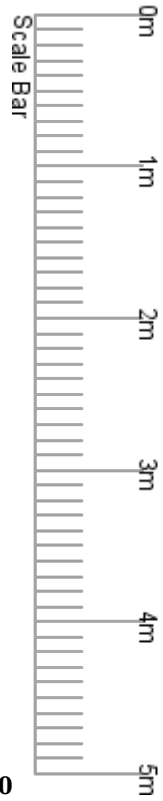


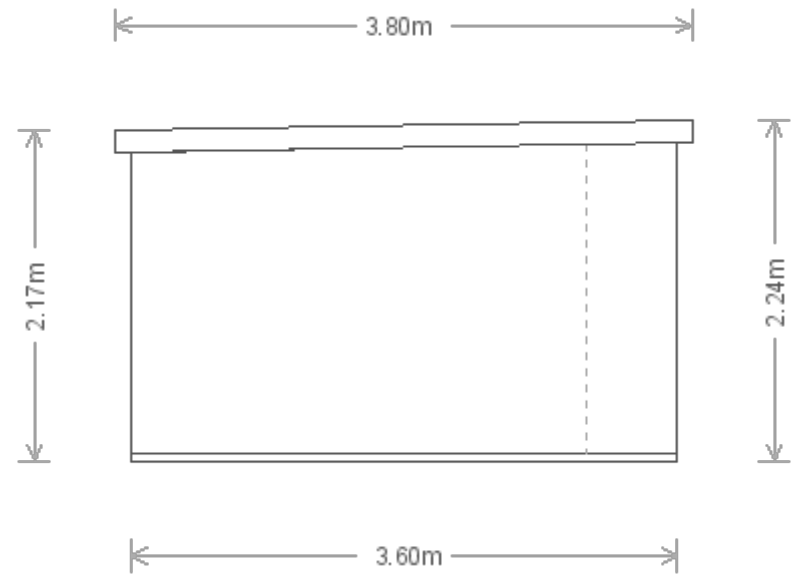
Scale 1:50



Customer Name	Mrs Belen Francos-Taylor	Building	3.6 x 3.6m Holt	
Customer Address	36 Loveridge Road London, NW6 2DT	Drawing Date	31st October 2020	
		Drawing Title	Plan View	Sheet 1/6

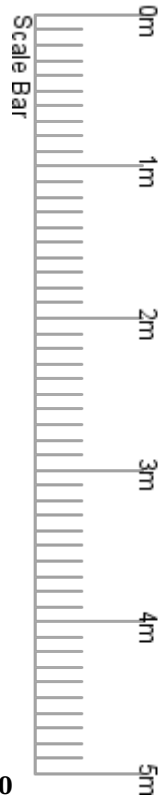


Scale 1:50

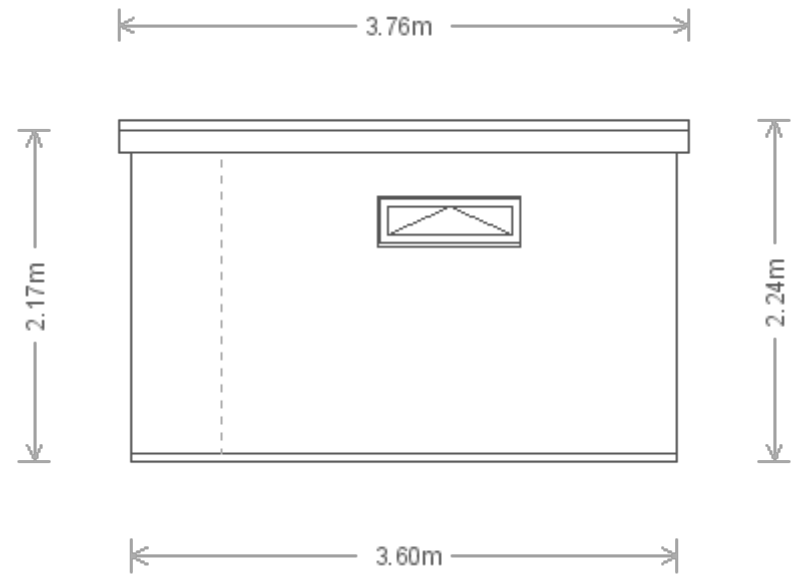


Customer Name	Mrs Belen Francos-Taylor	Building	3.6 x 3.6m Holt	
Customer Address	36 Loveridge Road London, NW6 2DT	Drawing Date	31st October 2020	
		Drawing Title	Elevation A View	Sheet 2/6

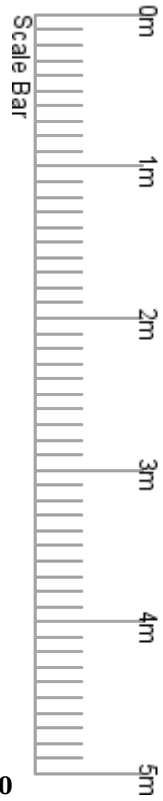




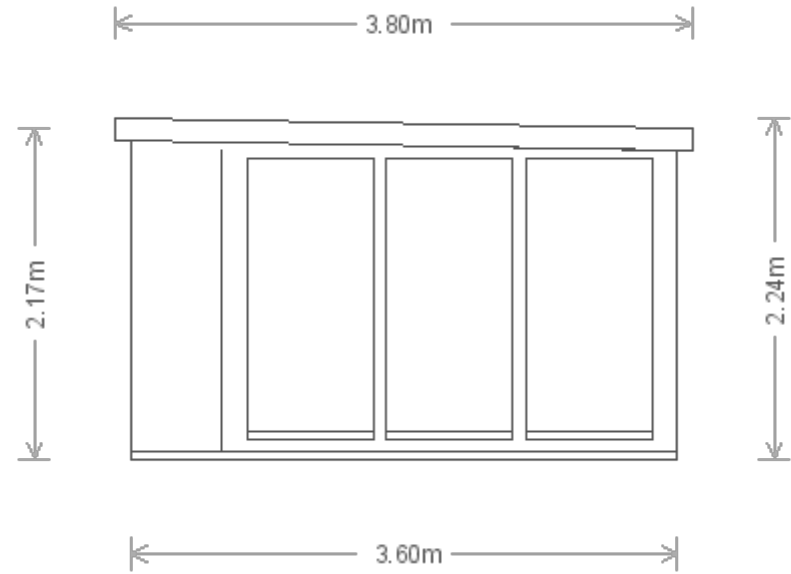
Scale 1:50



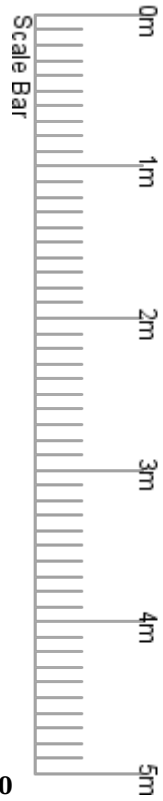
Customer Name	Mrs Belen Francos-Taylor	Building	3.6 x 3.6m Holt	
Customer Address	36 Loveridge Road London, NW6 2DT	Drawing Date	31st October 2020	
		Drawing Title	Elevation B View	Sheet 3/6



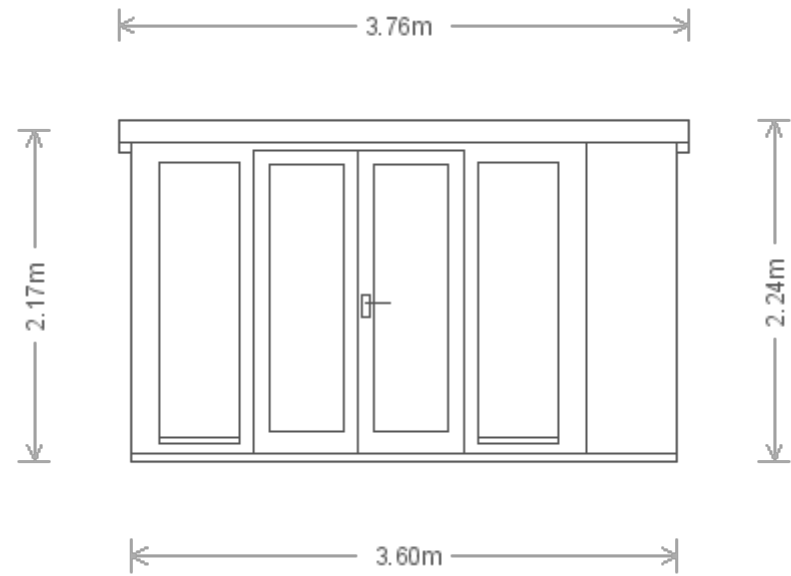
Scale 1:50



Customer Name	Mrs Belen Francos-Taylor	Building	3.6 x 3.6m Holt	
Customer Address	36 Loveridge Road London, NW6 2DT	Drawing Date	31st October 2020	
		Drawing Title	Elevation C View	Sheet 4/6



Scale 1:50




Customer Name	Mrs Belen Francos-Taylor	Building	3.6 x 3.6m Holt	
Customer Address	36 Loveridge Road London, NW6 2DT	Drawing Date	31st October 2020	
		Drawing Title	Elevation D View	Sheet 5/6



Details

Materials

- Cladding Material - Swedish Redwood Shiplap
- Roof Material - Heavy Duty Felt
- Door and Window Frame Material - Swedish Redwood
- Doors - Hemlock
- Building Colour - Slate

Customer Name	Mrs Belen Francos-Taylor	Building	3.6 x 3.6m Holt	
Customer Address	36 Loveridge Road London, NW6 2DT	Drawing Date	31st October 2020	
		Drawing Title	Details	Sheet 6/6