

**ECOTHERM
ALUMINIUM
RESIDENTIAL DOORS
TECHNICAL INFORMATION
SUPPLY ONLY**

Ecotherm
RESI DOOR

UNGLAZED



Product Literature	3-4
Hardware Options	5
Technical Drawings	6-10
Door Options	11

**www.evergladetrade.co.uk
info@everglade.co.uk**

EVERGLADE 
WINDOWS

The N°1 Fabricator for installer support

t: 020 8998 8775

f: 020 8997 0300

Aluminium Residential Doors

Elegant, yet strong, reliable and extremely durable

Ecotherm
RESI DOOR



OUR HANDSOME RANGE OF ENTRANCE DOORS will impress your guests and keep out both the elements and unwelcome intruders. Our Ecotherm residential doors are designed for use as open out or open in, single or double doors, internally beaded with side-light and low threshold options.

Ecotherm residential doors are a high performance alternative suitable for use in high traffic or exposed areas where a durable and reliable door is required.

Elegant, yet strong and durable Ecotherm residential doors enhance the beauty of your home, keep in the warmth and let in more light because of the slim sightlines. Peace of mind is ensured by the enhanced security provided by a multi-point locking system.

Ecotherm residential doors have been designed to reduce heat loss by the use of a thermally broken aluminium frame with a polyamide bridge. The polyamide material has a very high resistance to heat transfer from the inner face of a frame (i.e. inside a room) to the external face of a frame (i.e. outside). The thermally broken frames provide homeowners with windows and doors that have distinct advantages.

Elegant Slim Sightlines are features of the Ecotherm residential doors which are enhanced by an ovolo or square frame. Additionally, homeowners have a dual colour option which means having a choice of finishes and colours externally and internally.



Valentis
Windows, Doors and More

www.valentiswindows.co.uk



OPTIONS:

AVAILABLE STYLES:

Residential door, French door

HANDLE FINISHES:

White, Black, Satin Chrome, Smokey Chrome, Polished Chrome, Gold

COLOURS:

- Can be painted in any RAL colour
- Dual colour available



Door Restrictor



Slim 3D Hinges

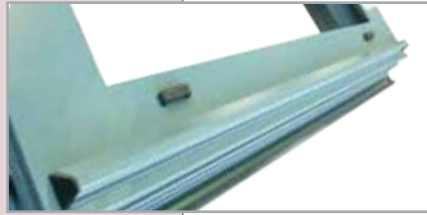
Available in Black, White or Silver



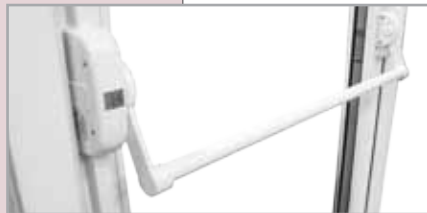
Magnum Cylinder



Drip Bar



Panic Bar



Panic Bar Push Pad

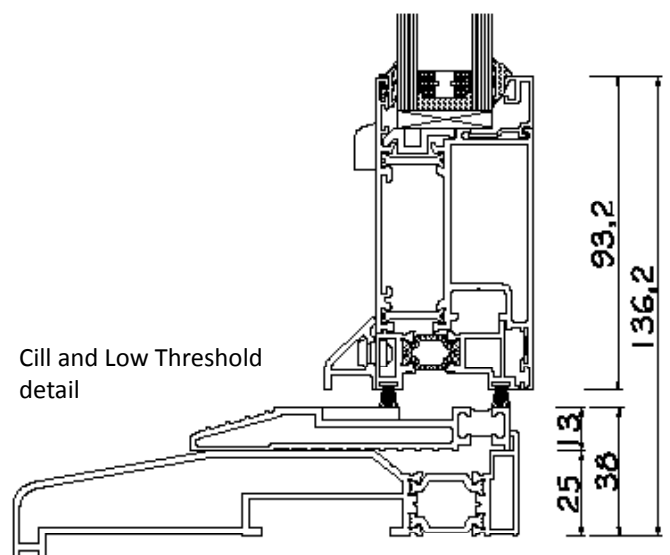
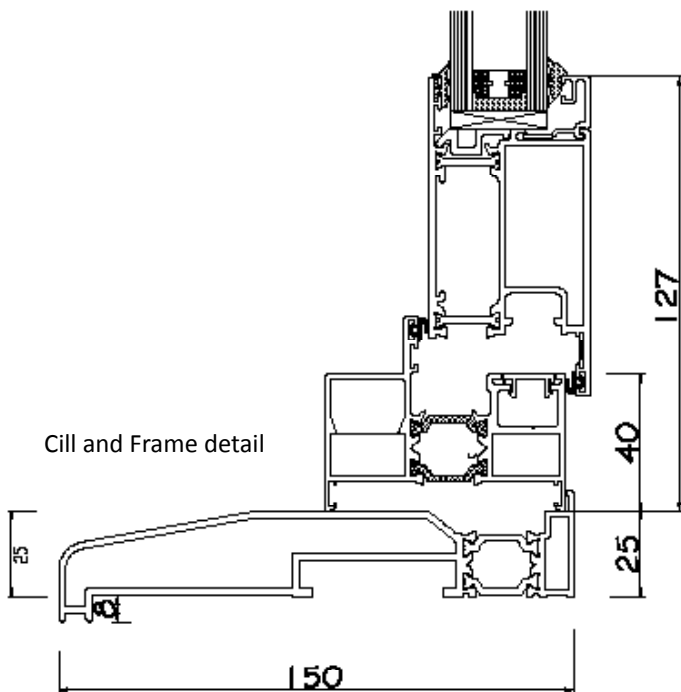
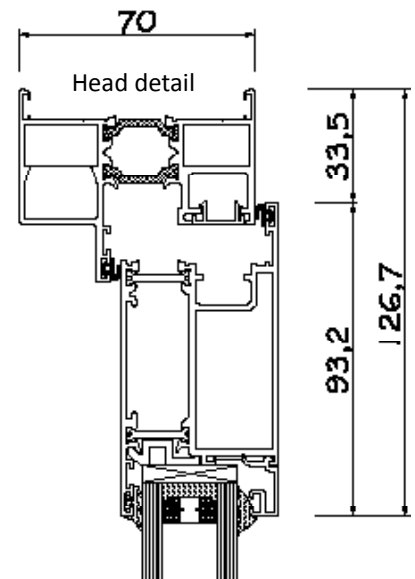
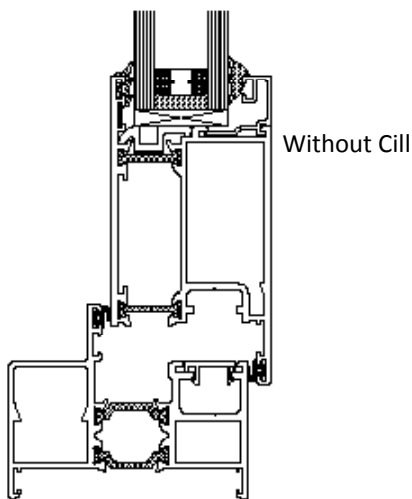
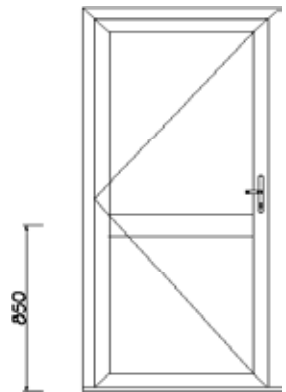
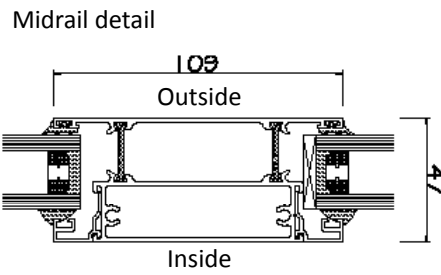
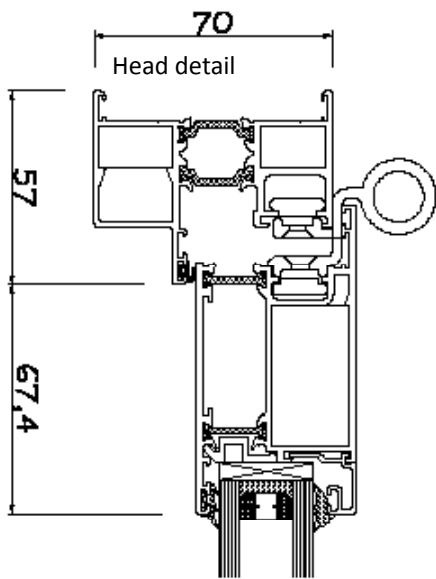


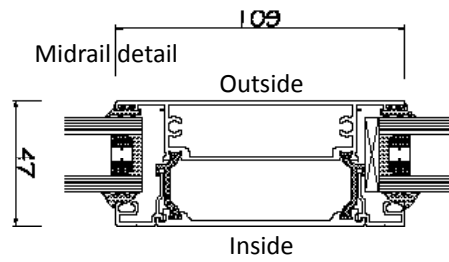
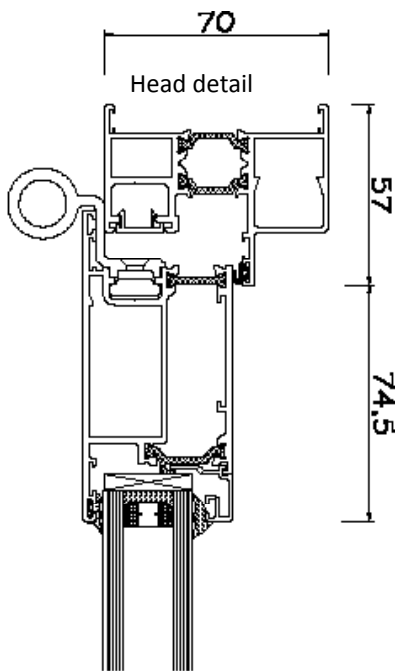
Panic Bar External Access Handle

Allows access from outside of the door

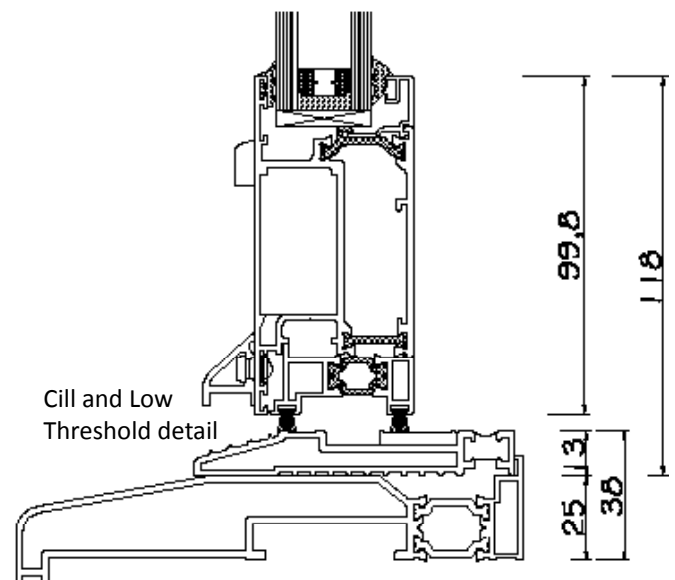
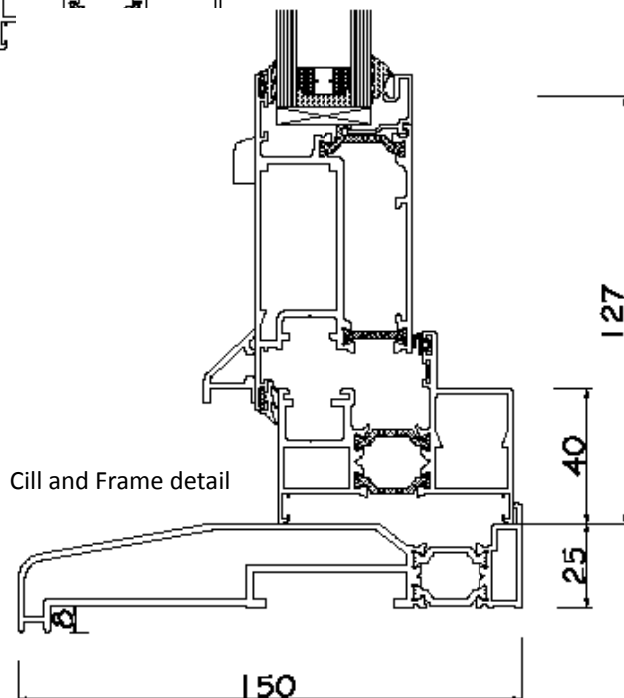
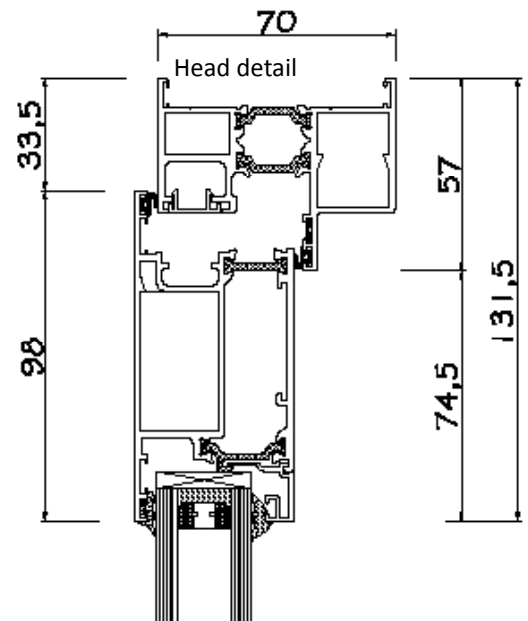
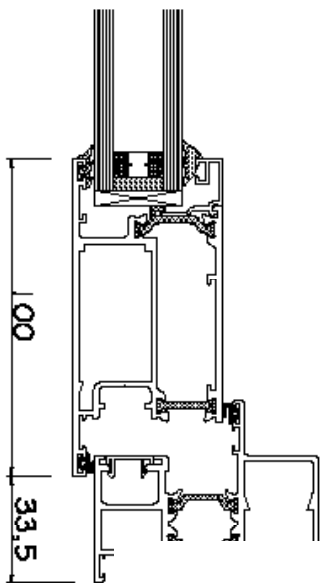
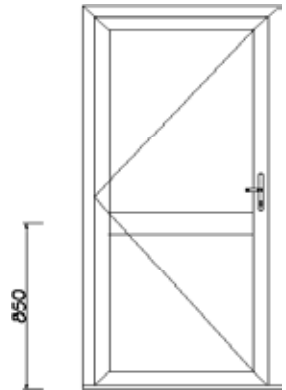


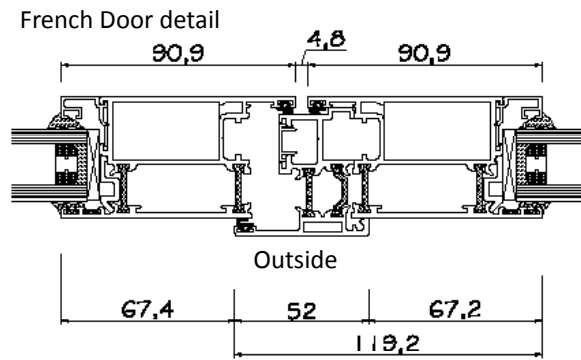
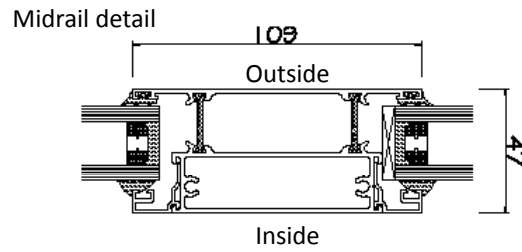
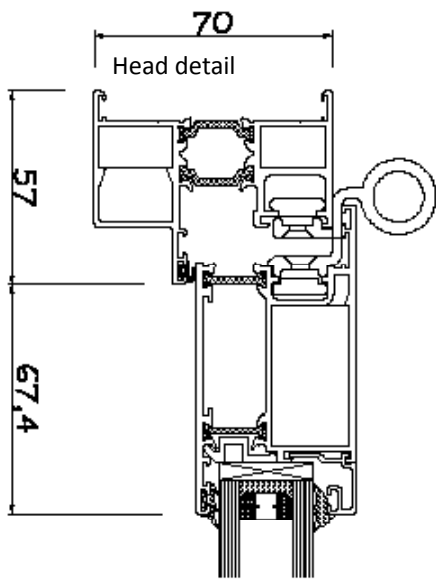
Single Door Open In



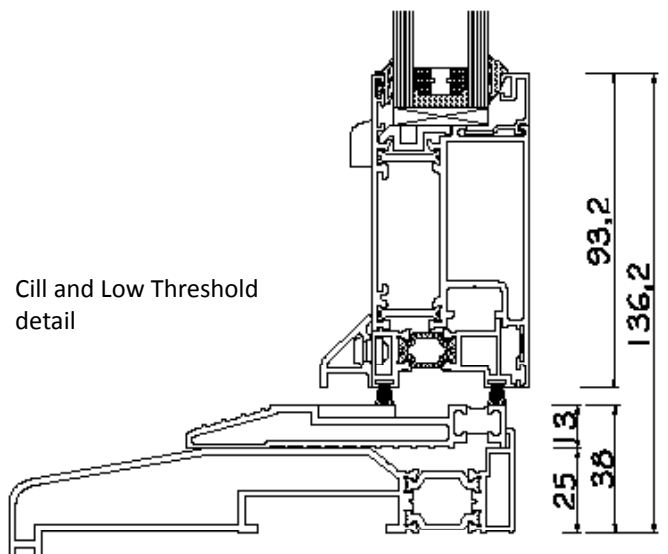
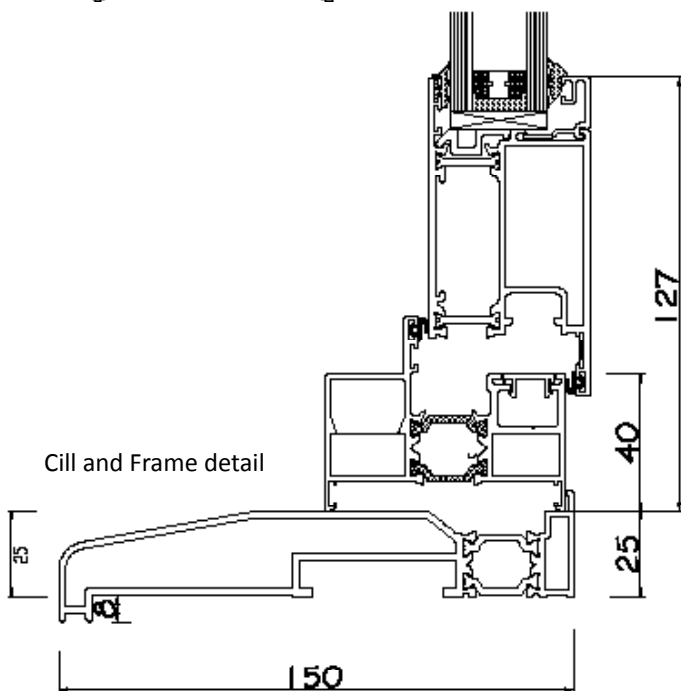
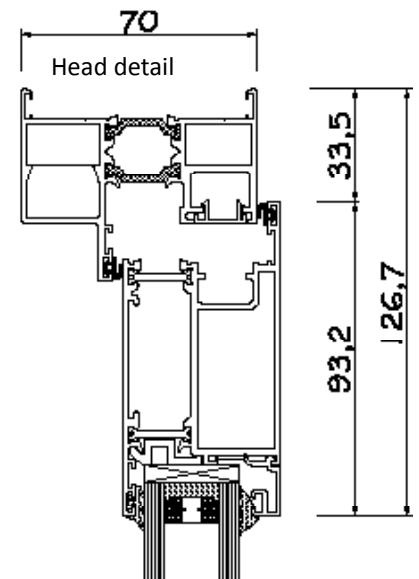
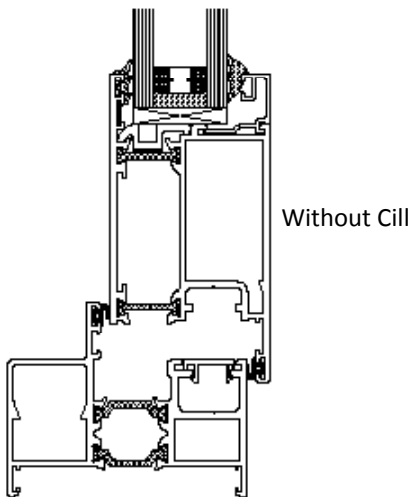
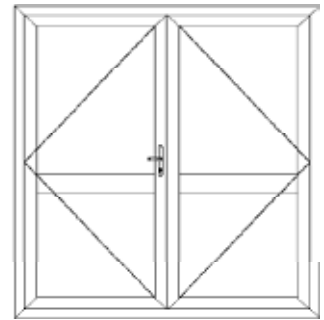


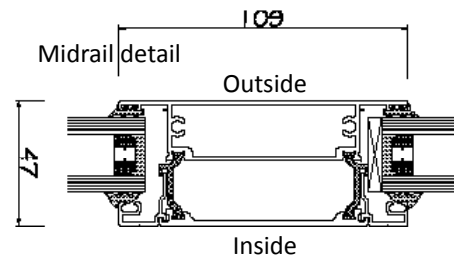
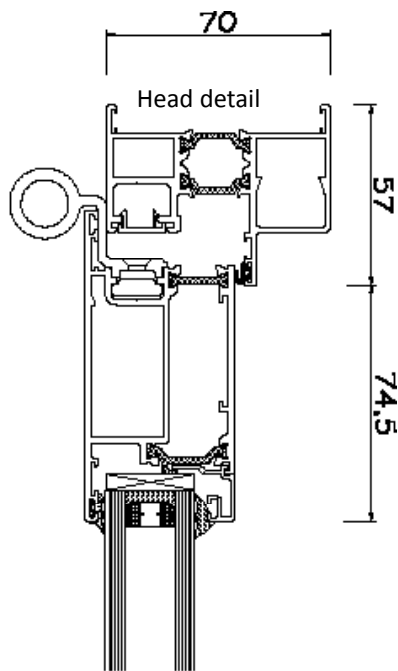
Single Door Open Out



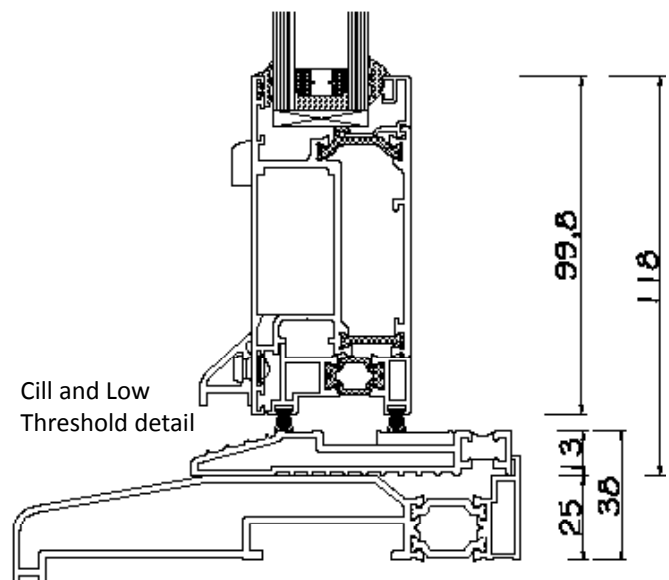
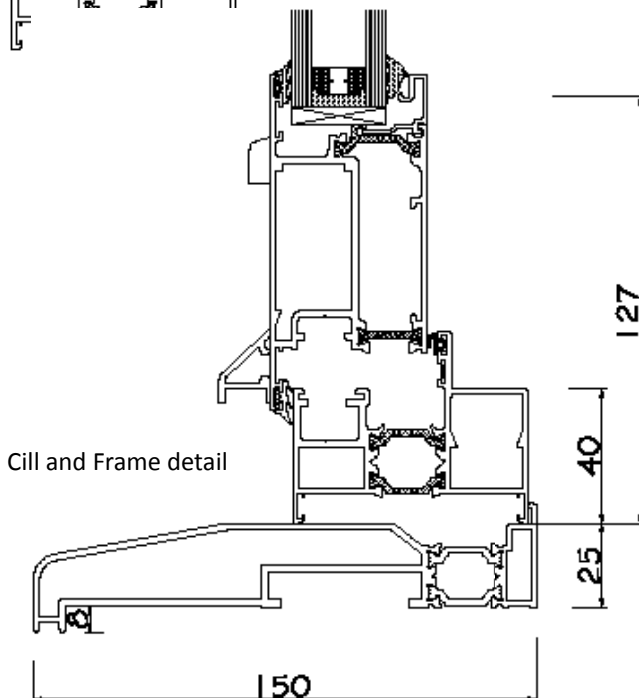
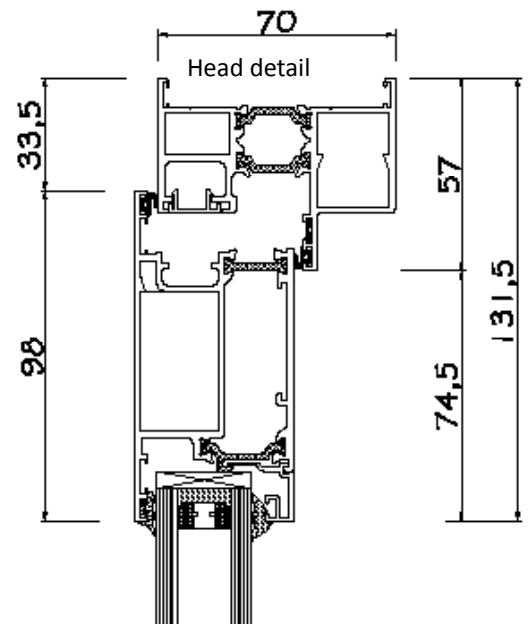
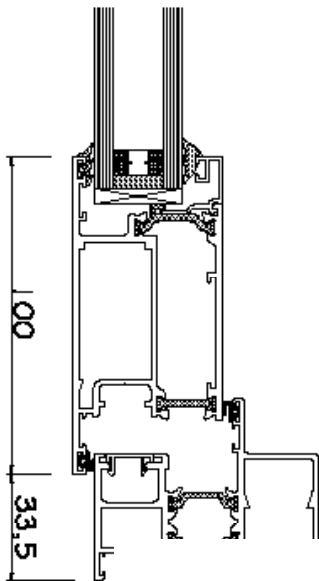
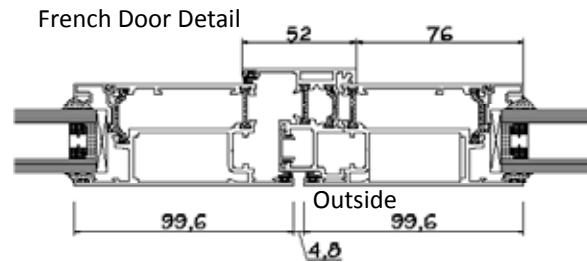
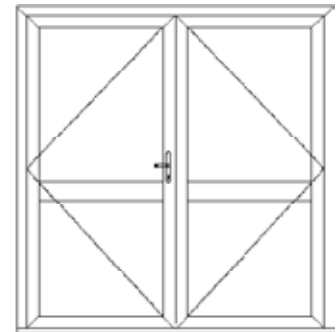


French Door Open In

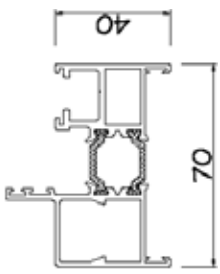




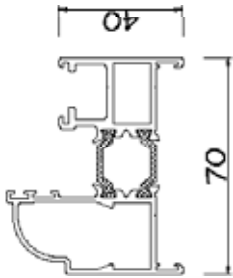
French Door Open Out



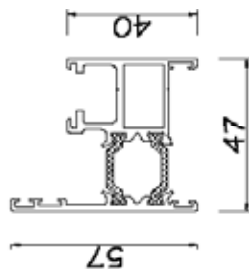
ETD 017 Flat Frame (D/Fix)



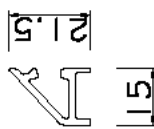
ETD 015 Ovolo Frame (D/Fix)



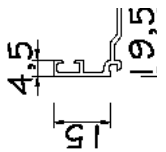
ETD 012 Flat Frame (F/Fix)



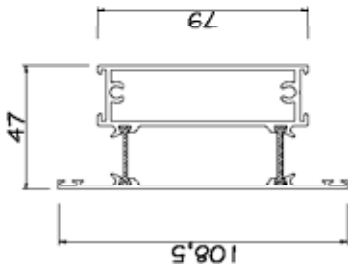
VL 72 Drip bar



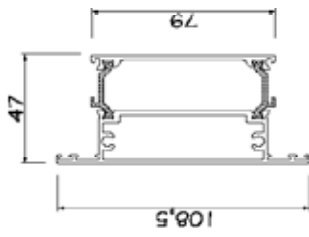
ETC 160 32mm Bead



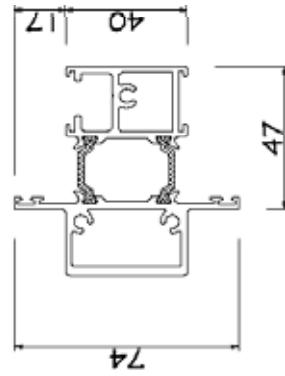
ETD 030 Midrail (Open in)



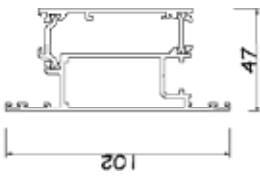
ETD 033 Midrail (Open out)



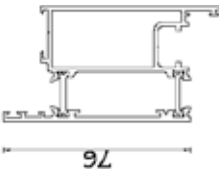
ETD 012 Mullion



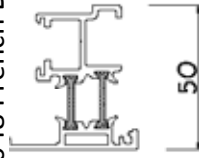
ETD 025N Door Sash (Open Out)



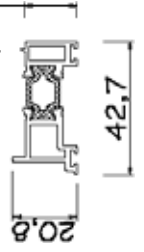
ETD 024N Door Sash (Open In)



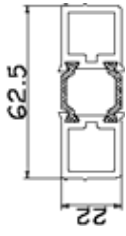
ETD 048 French Door Mullion



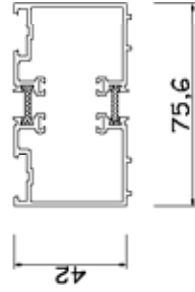
ETD 097 Low Threshold Rebate Cap



ETD 053 Concealed coupler

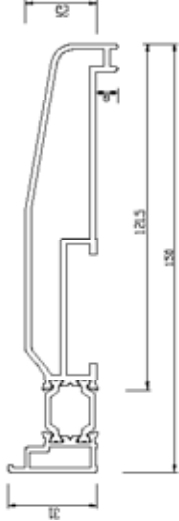


ETC 515 42mm Add on

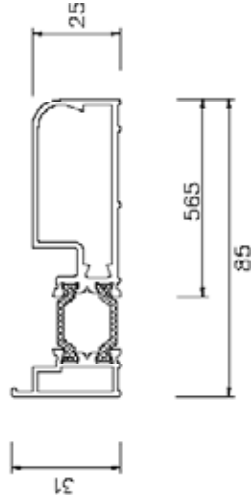


75.6

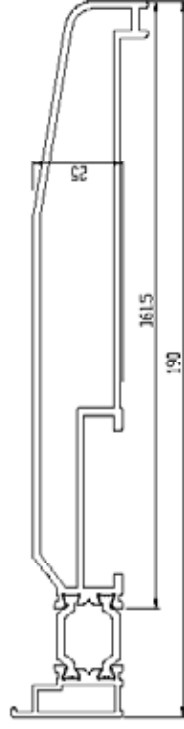
ETC 157N 150mm Cill



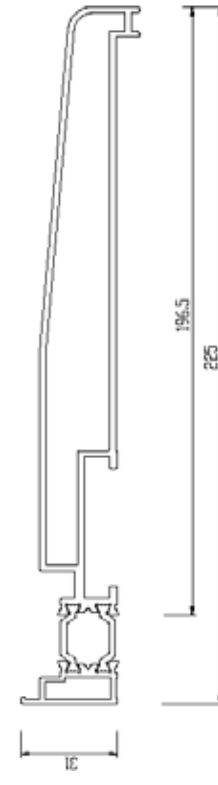
ETC 178 85mm Stub Cill



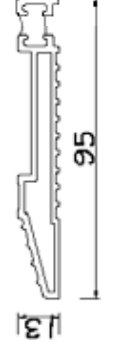
ETC 158N 190mm Cill



ETC 179N 225mm Cill



ETD 096 Low Threshold



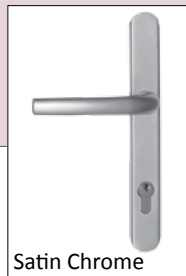
AVAILABLE STYLES:	Residential door, French door
GLAZING:	28mm or 32mm double or triple glazed unit
DEPTH OF FRAME:	70mm or 47mm
LEAD TIME:	15 working days (white finish only)
BEADING:	Internally beaded
LOCKING:	Multipoint hook lock
COLOURS:	Can be painted any RAL colour. Dual colour available (lead times on request)
CILLS:	85mm, 150mm, 190mm, 225mm
HANDLES:	Available in Black, Satin Chrome, Gold, Smokey Chrome, Polished Chrome and White
HINGES:	Adjustable 3D Hinges

HANDLES:

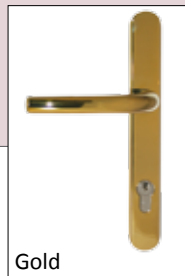
- Available as Lever/Lever, Lever/Pad or Swept handle
- Elegant lever styling enhances appearance of the door, particularly complementing composite doors
- Offset lever version for 92/62 PZ double spindle locks
- All handles available in Black, Satin Chrome, Gold, Smokey Chrome, Polished Chrome and White.



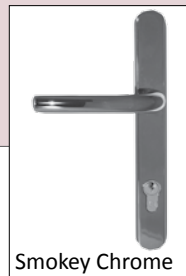
Black



Satin Chrome



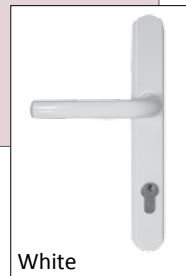
Gold



Smokey Chrome



Polished Chrome



White

HINGES:



- Available in Black, Silver or White
- Adjustable in 3 dimensions: horizontal +/- 2mm, in height +/- 4mm and gasket pressure min +/- 1mm,
- The three rings ensure high stability and perfect alignment.

LETTERPLATES:



- All metal frame construction
- Nylon brush seal to inside and weather seal to external flap
- 180° opening (both sides)
- Available in Black, Satin Chrome, Gold, Smokey Chrome, Polished Chrome and White

ENERGY PERFORMANCE:



U Value 1.8 (W/m²K)

Using 4/20/4 Planitherm 1 Argon filled glass with Thermobar spacer

