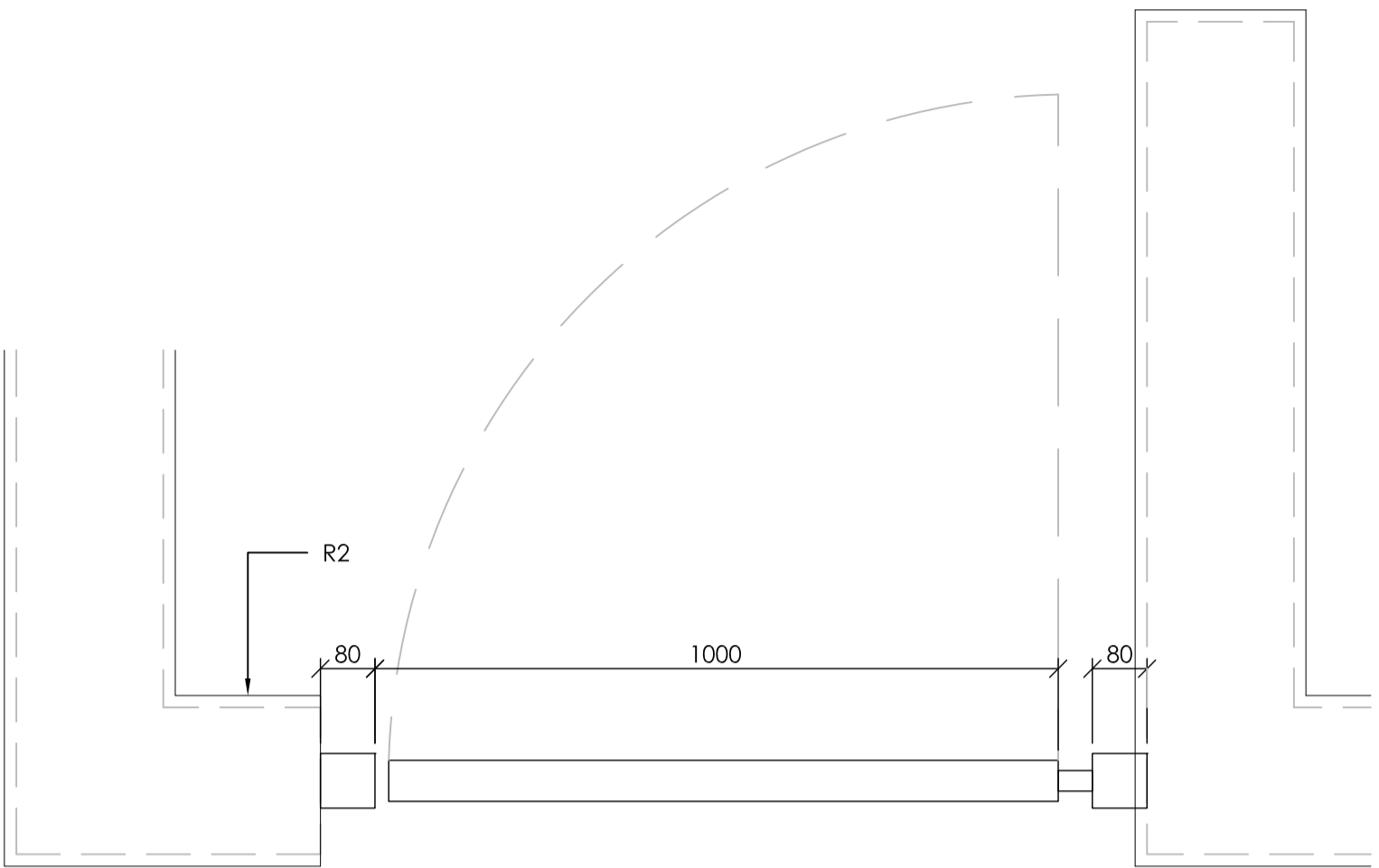
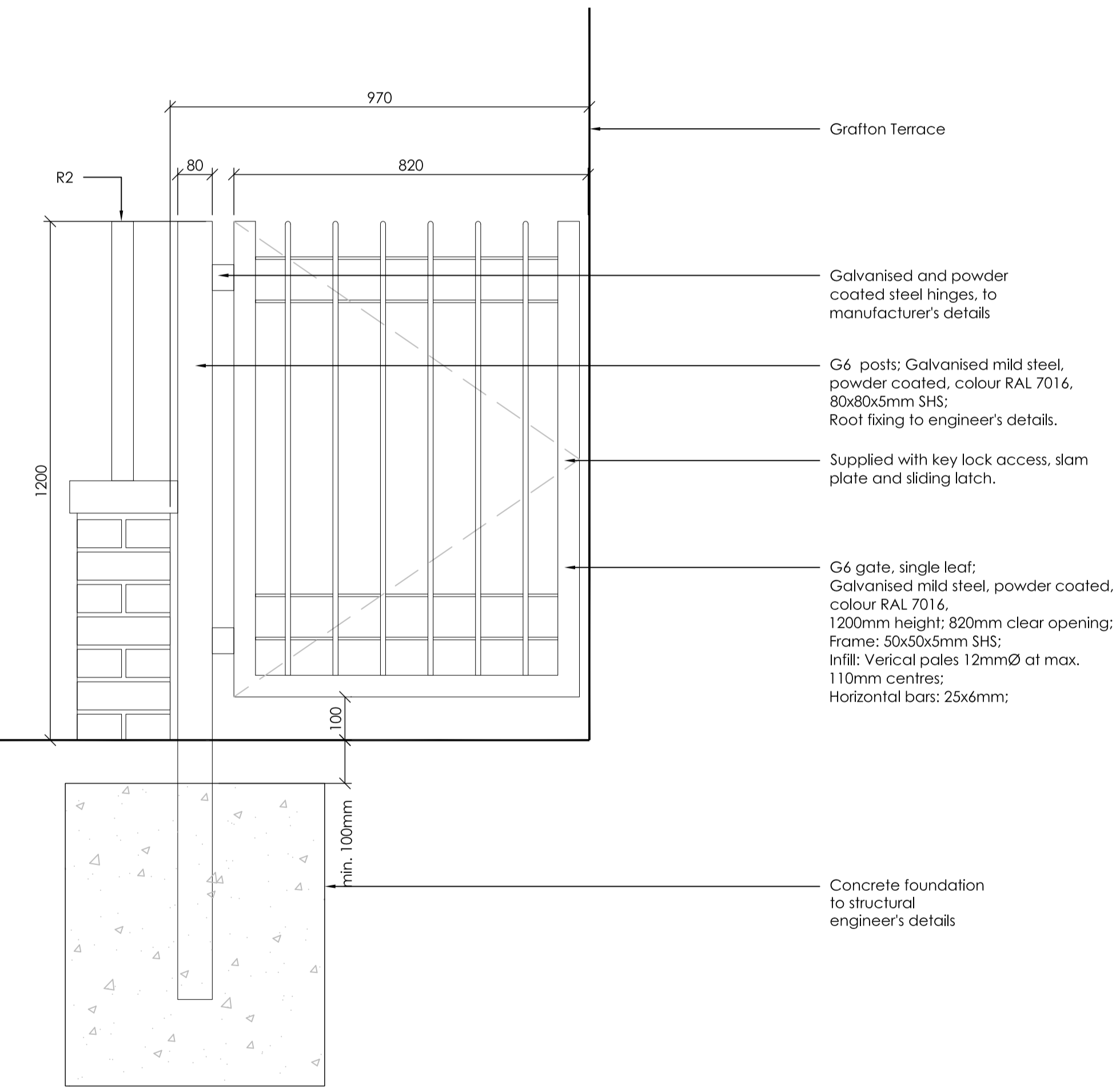


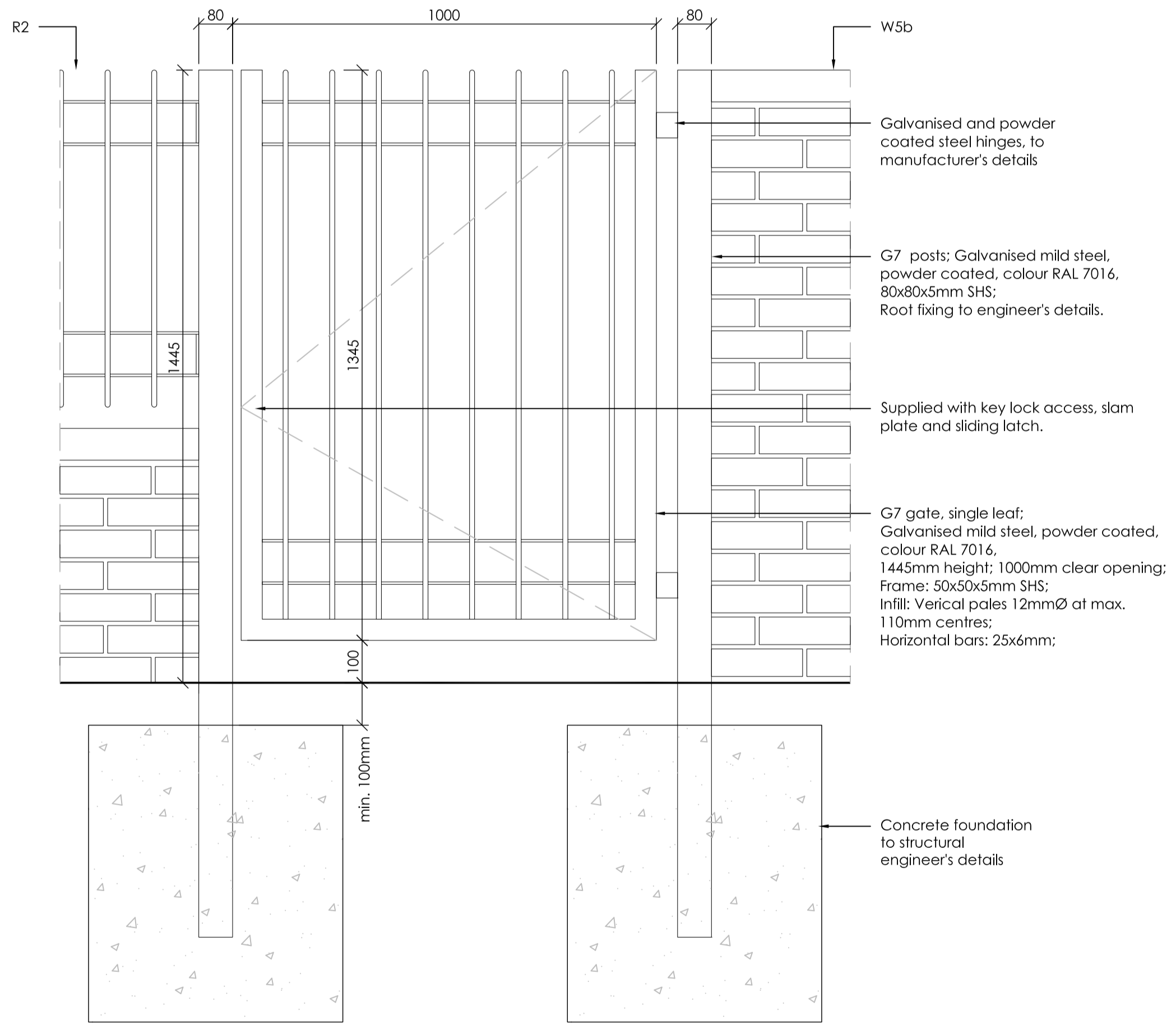
G4 Steel Gate Typical Detail  
Plan View  
Q40/570F  
1:10



G7 Steel Gate Typical Detail  
Plan View  
Q40/570G  
1:10




G6 Steel Gate Typical Detail  
Elevation from outside  
Q40/570F  
1:10



G7 Steel Gate Typical Detail  
Elevation from outside  
Q40/570G  
1:10

- Note:
1. Manufacturer to submit shop drawings for landscape architect/client's approval.
  2. All railings and gates to comply with BS 1722-9.

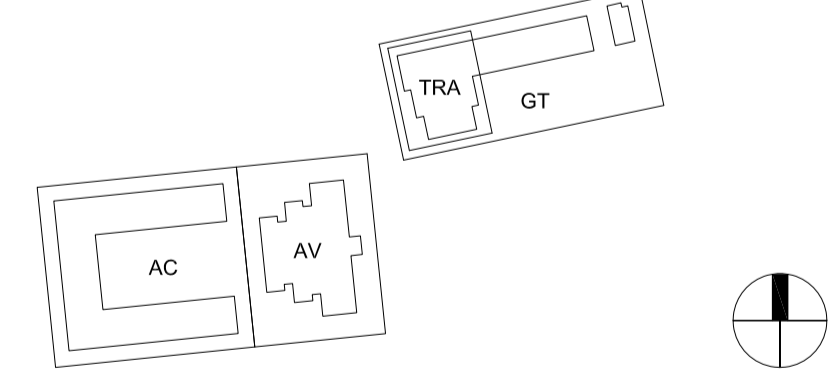

ALL REVISIONS  
MAIN CONTRACTOR

 Bouygues UK  
Bocket House  
1 Lambeth Palace Rd  
Lambeth, London SE1 7EU  
Tel: 020 7401 0020

CLIENT LOGO



KEY PLAN



ORIGINATOR  
 turkingtonmartin  
Studio 3.04 Chester House, Kennington Park  
1-3 Brixton Road, London, SW9 6DE  
T: (+44) 020 3567 1050  
E: studio@turkingtonmartin.com

PROJECT NAME  
Maitland Park Redevelopment

DRAWING TITLE

Typical Details - Railings and Gates  
Sheet 7

SCALE @ A1 <b>1:10</b>	MODEL FILE NAME - REVISION Not Applicable						
FIRST ISSUE DATE 06/05/2020	PROJECT STAGE Stage 4	STATUS CODE S3 - Suitable for Review & Comments					
PROJECT MPR	ORIGINATOR TMA	VOLUME ZZ	LEVEL GF	TYPE DT	ROLE L	NUMBER 300016	REV P03