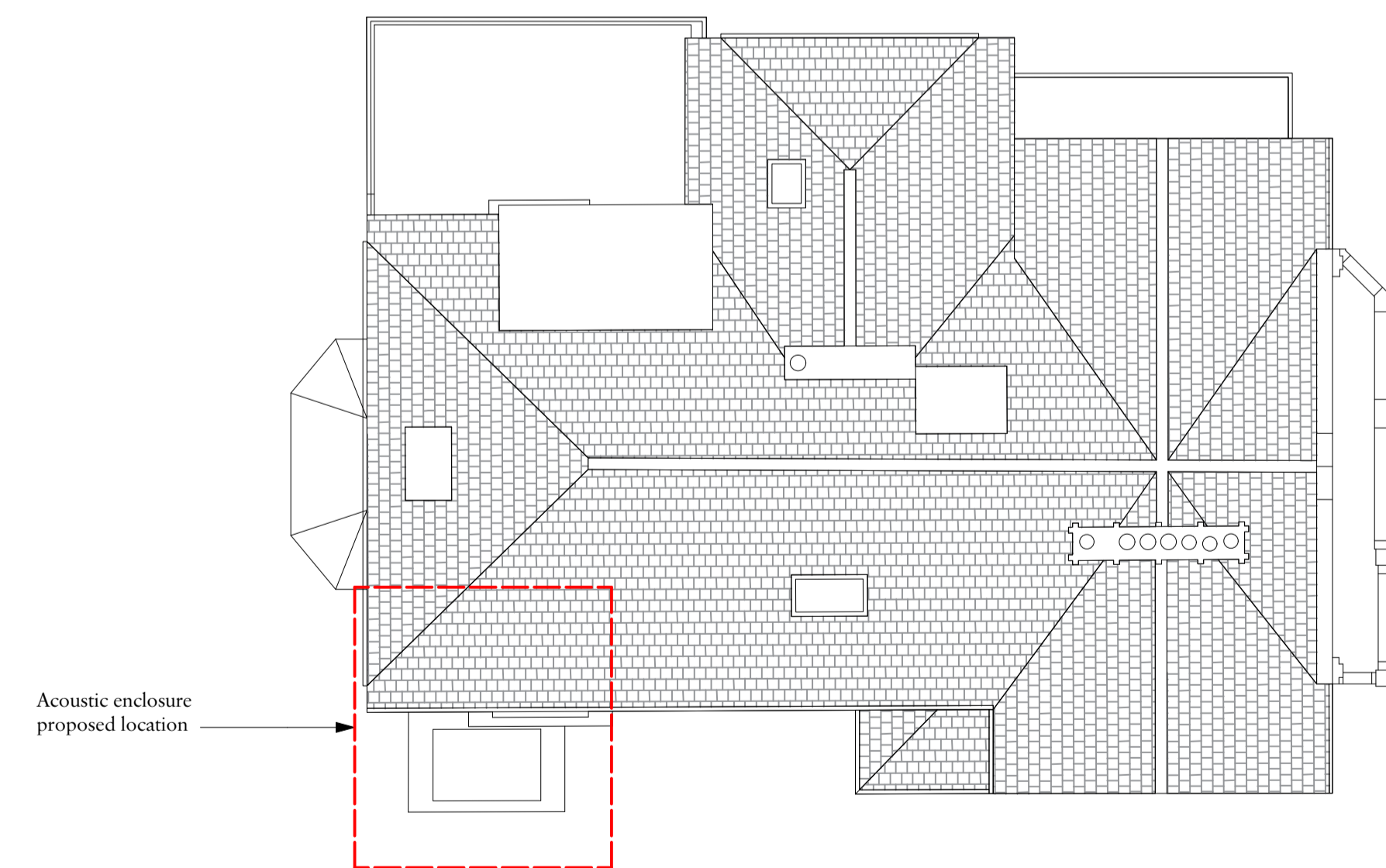


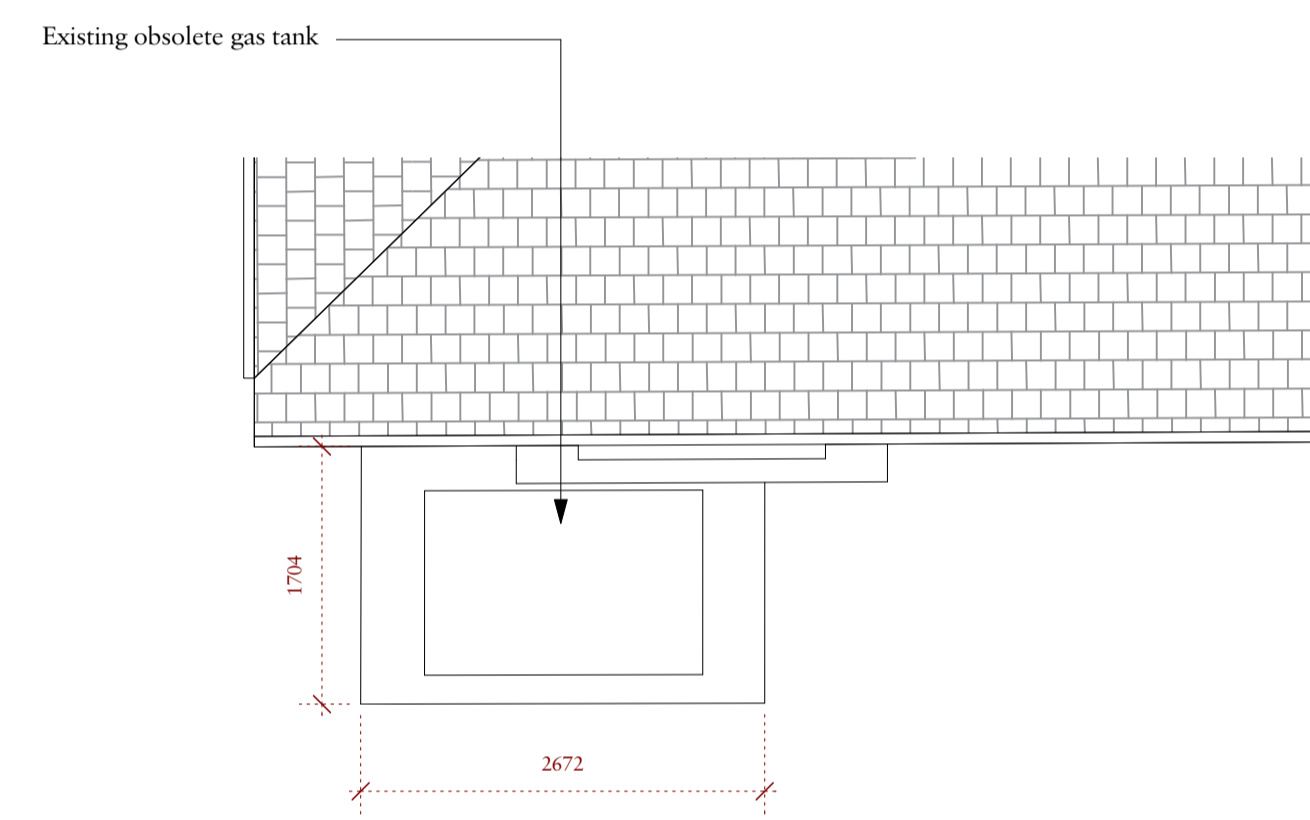
1 North-East Existing Elevation
Scale: 1:100



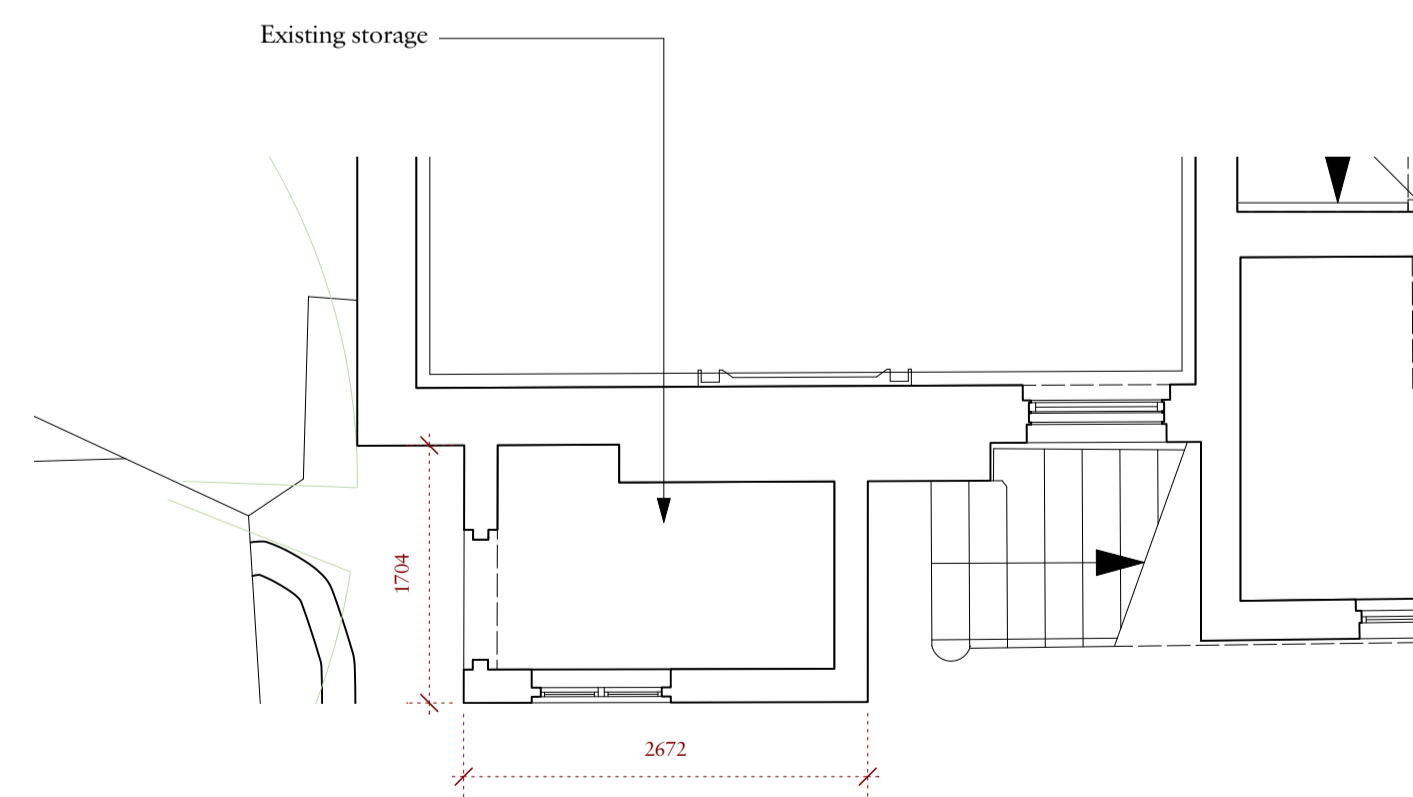
2 Lower Ground Floor Demolition Plan
Scale: 1:100



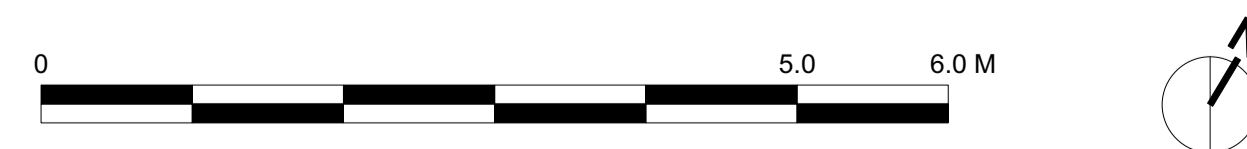
3 Existing Elevation
Scale: 1:50



4 Existing Roof Plan
Scale: 1:50



5 Existing Lower Ground Floor Plan
Scale: 1:50



Rev Date Details By

Charlton Brown Architecture & Interiors

The Belvedere, 2 Back Lane, Hampstead, London, NW3 1HL
Telephone +44(0)20 7794 1234
Email office@charltonbrown.com
Website www.charltonbrown.com

Client
Mr Daniel Ross

Project
84 Fitzjoh's Avenue

Drawing Title
Existing Condition

Date	Drawn	Checked
19/02/2021	ML	CP

Scale
1:50

Issue Status
PLANNING

Project Number	Drawing Number	Revision
20029	B-EX-00-100	