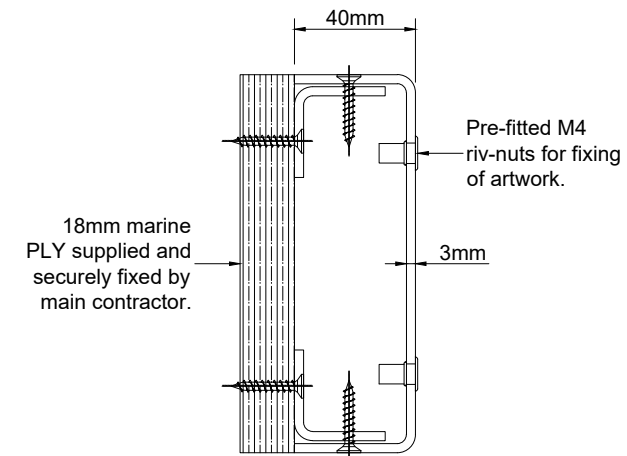




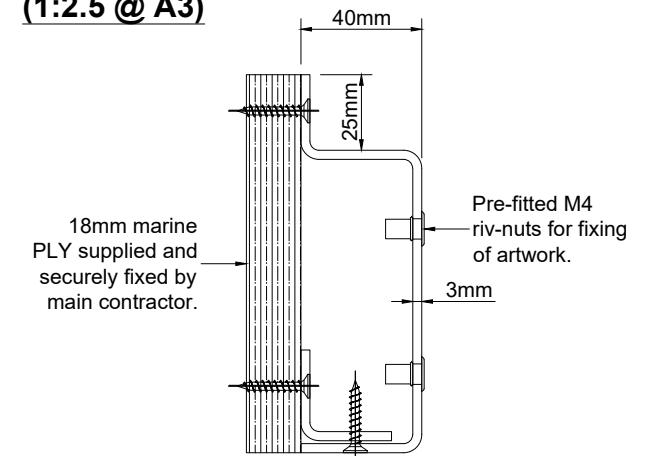
Artwork to be enlarged to suit fascia height. Allow 2x stroke widths clear top and bottom of artwork. Fascia height as indicated excludes any panel upstands or cornice details where applicable.

TYPICAL SECTION THROUGH ALUMINIUM FASCIA PANEL
(1:2.5 @ A3)



Back panelling to be minimum 3mm aluminium. To be either stove enamelled or powder coated, RAL 9005 (black) satin finish.

TYPICAL SECTION THROUGH ALUMINIUM FASCIA PANEL WITH RESTRICTED ACCESS ABOVE
(1:2.5 @ A3)



Back panelling to be minimum 3mm aluminium. To be either stove enamelled or powder coated, RAL 9005 (black) satin finish.

NOTES:

- All fascias returns to be 40mm for housing of LucoLED drivers to rear of panelling.
- If there is an overhang directly above the fascia then panelling to have folded upstand to allow access to fixings.
- All visible fixings to be countersunk and painted out to match.

REVISIONS	FIT OUT TYPE FUTURE VENUES	REFERENCE DRAWINGS	
	PROJECT MERKUR SLOTS STANDARD SIGNAGE DETAILS	SCALE 1:25 / 1:2.5	DRAWN BY S.R.B.
	DESCRIPTION FASCIA SIGN ARTWORK SETTING OUT DETAIL	DATE 12/03/20	
		DRAWING No. CASH-SIGN-1	REVISION B



COPYRIGHT IS RESERVED BY PRAESEPE PLC. AND IS ISSUED ON THE CONDITION THAT IT IS NOT COPIED OR DISCLOSED BY OR TO ANY UNAUTHORISED PERSONS WITHOUT PRIOR CONSENT FROM PRAESEPE PLC.
 THIS DRAWING SHOULD NOT BE SCALED. THE CONTRACTOR SHOULD CHECK ALL DIMENSIONS ON SITE, ANY ERROR OR OMISSION SHOULD BE REPORTED TO PRAESEPE PLC.