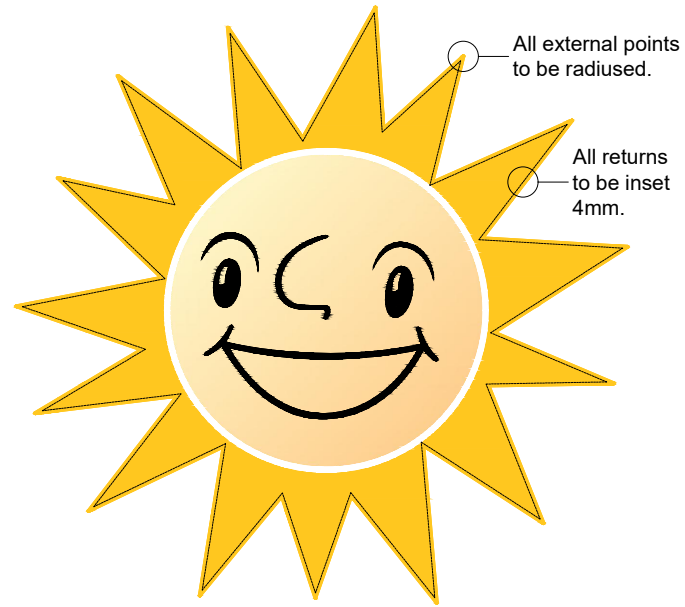


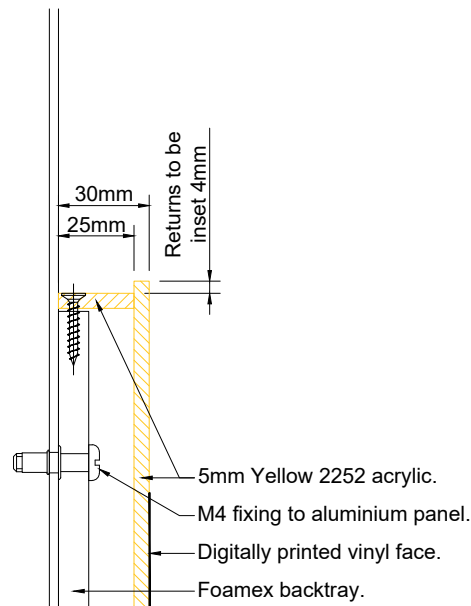
NON-ILLUMINATED SUN LOGO



NON-ILLUMINATED TEXT AND UNDERLINE

MERKUR SLOTS

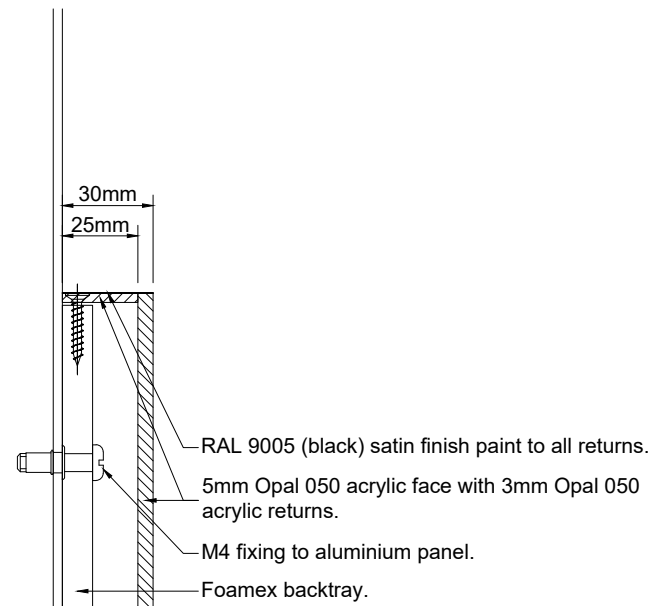
SECTION THROUGH NON-ILLUMINATED SUN LOGO
(1:2.5 @ A3)



"Sun" logo to be built up 5mm Yellow 2252 acrylic. Face digitally printed onto white vinyl and applied centrally. Logo to have full router cut foamex backtray and installed flush with background.

- NOTES:
- All visible fixings to be countersunk and painted out to match.

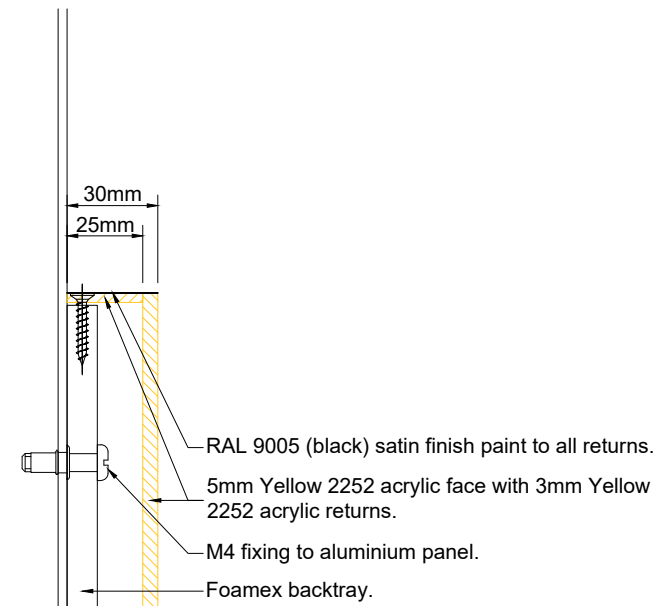
SECTION THROUGH NON-ILLUMINATED "MERKUR" TEXT
(1:2.5 @ A3)



Text "MERKUR" to be built up 5mm Opal 050 face with 3mm Opal 050 returns. Returns to be sprayed RAL 9005 (black) satin finish. Text to have full router cut foamex backtray and installed flush with background.

- NOTES:
- All visible fixings to be countersunk and painted out to match.

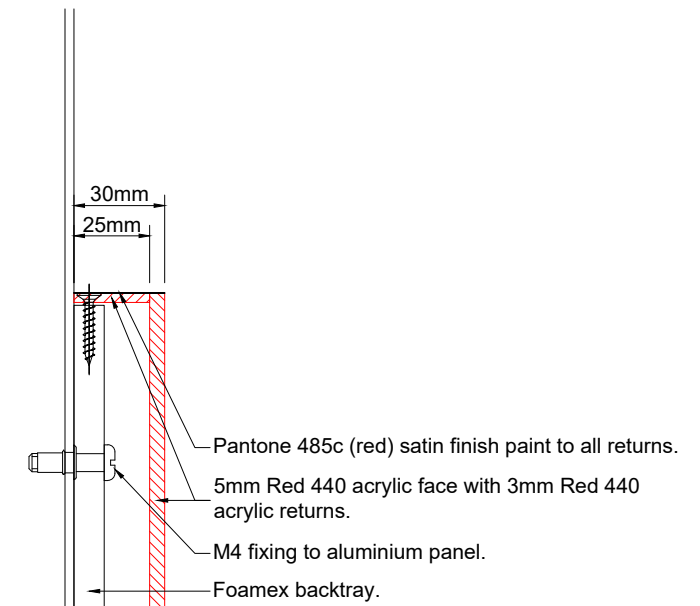
SECTION THROUGH NON-ILLUMINATED "SLOTS" TEXT
(1:2.5 @ A3)



Text "SLOTS" to be built up 5mm Yellow 2252 face with 3mm Yellow 2252 returns. Returns to be sprayed RAL 9005 (black) satin finish. Text to have full router cut foamex backtray and installed flush with background.

- NOTES:
- All visible fixings to be countersunk and painted out to match.

SECTION THROUGH NON-ILLUMINATED 'UNDERLINE'
(1:2.5 @ A3)



'Underline' to be built up 5mm Red 440 face with 3mm Red 440 returns. Returns to be sprayed Pantone 485c (red) satin finish. Underline to have full router cut foamex backtray and installed flush with background.

- NOTES:
- All visible fixings to be countersunk and painted out to match.

REVISIONS

FIT OUT TYPE
FUTURE VENUES

PROJECT
MERKUR SLOTS
STANDARD SIGNAGE DETAILS

DESCRIPTION
NON-ILLUMINATED
FASCIA SIGN SETTING OUT DETAIL

REFERENCE DRAWINGS

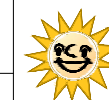
SCALE
1:2.5

DRAWN BY
S.R.B.

DATE
12/03/20

DRAWING No.
CASH-SIGN-4

REVISION
B



SLOTS

COPYRIGHT IS RESERVED BY PRAESEPE PLC. AND IS ISSUED ON THE CONDITION THAT IT IS NOT COPIED OR DISCLOSED BY OR TO ANY UNAUTHORISED PERSONS WITHOUT PRIOR CONSENT FROM PRAESEPE PLC.

THIS DRAWING SHOULD NOT BE SCALED. THE CONTRACTOR SHOULD CHECK ALL DIMENSIONS ON SITE. ANY ERROR OR OMISSION SHOULD BE REPORTED TO PRAESEPE PLC.