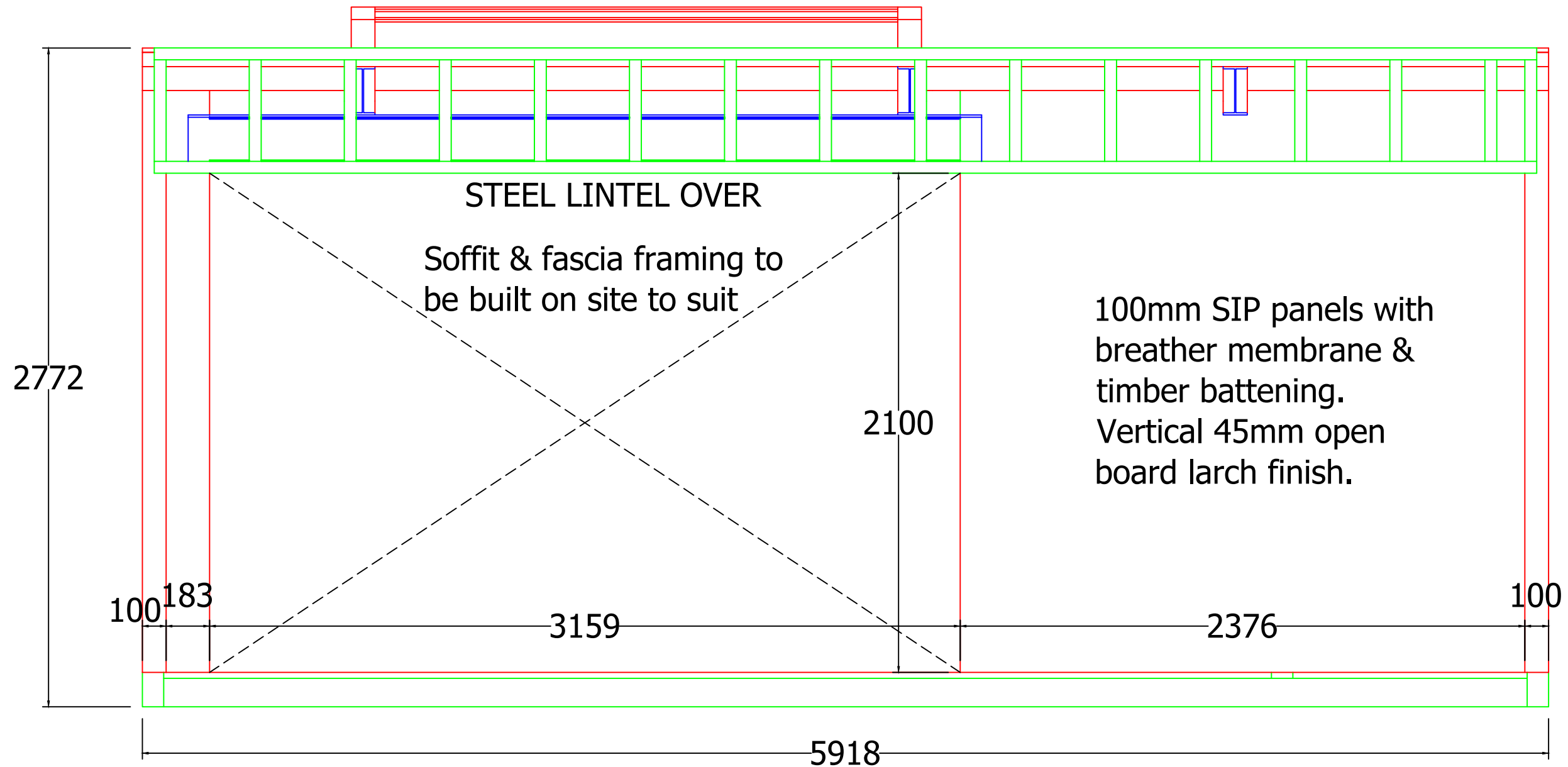


100mm PU SIP roof panels supported on steel beams with vapour barrier, decreasing depth timber battening (running left-right) & 18mm OSB roof deck. EPDM & sedum roof finish.

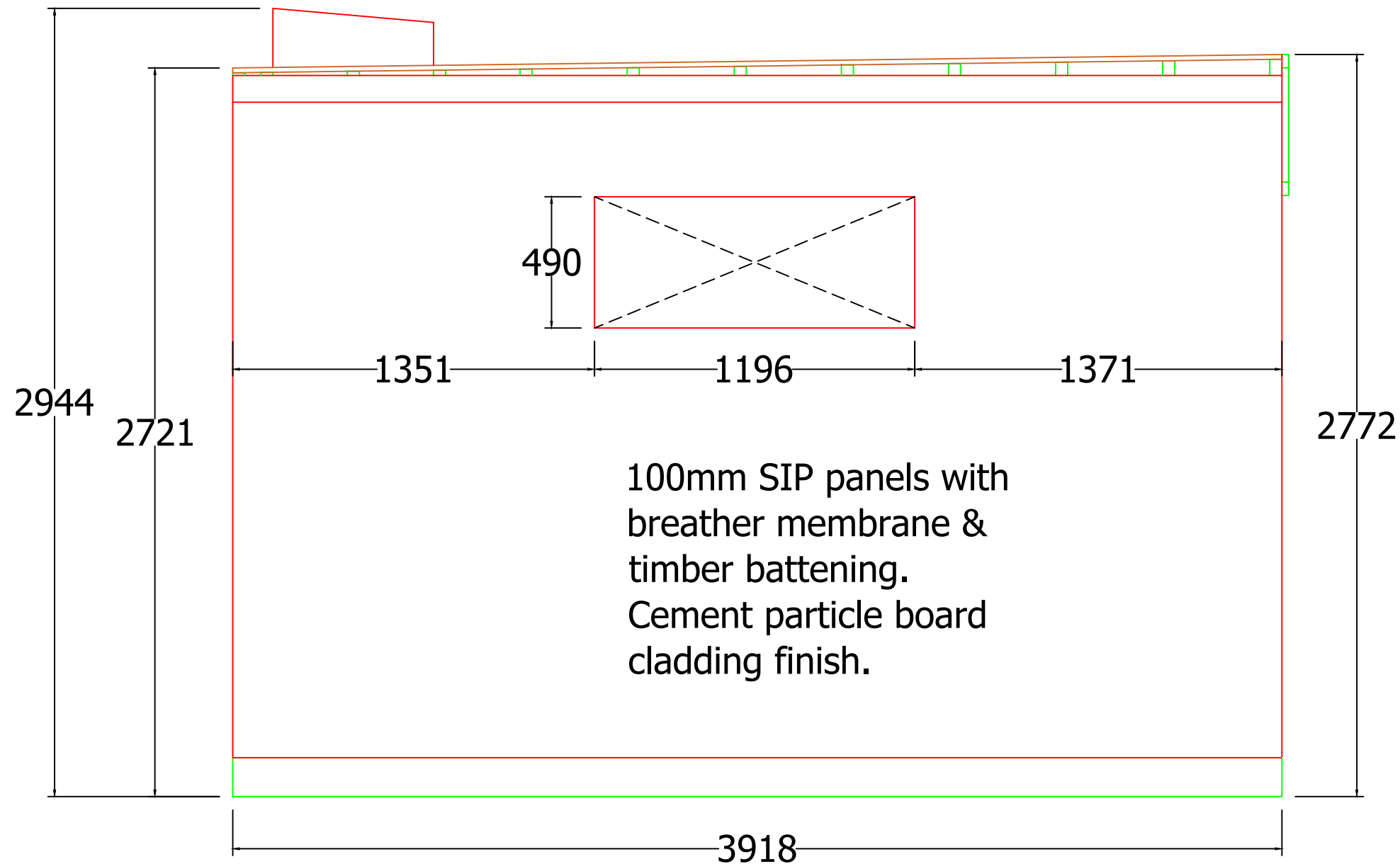


Plus 50mm Void

Screwpile system supporting 145mm C24 timber ringbeam structure with 100mm SIP floor panels inset.

<p>Notes:</p> <p>-----</p> <p>This drawing is an A3 sheet. Reproduction in any other size or format will result in scales being incorrect. Do not scale. If in doubt, please ask.</p> <p>-----</p> <p>Tolerances: Except where otherwise stated +/- 2mm.</p> <p>-----</p> <p>SIP's panels to be fixed in accordance with Structural Engineers Nailing Schedule &amp; Calculations.</p> <p>-----</p>	<p>...L:\sales &amp; marketing\GIS &amp; QR-coded branding\MyRISGreen_Publish\Studio_Final.dwg</p>	Project	Green Studios	Drawn	JA	Checked	
			Mitidieri	Drawing N°			
			Front Elevation	(01)			
		Revision Note		Date	08/04/21	Scale	1:20
<p>© This drawing, its contents, and all information contained therein is protected by copyright. It may be used once only for its intended purpose under a contract with Green Studios, but specifically not for any other use or purpose</p>			Revision				

100mm PU SIP roof panels supported on steel beams with vapour barrier, decreasing depth timber battening (running left-right) & 18mm OSB roof deck. EPDM & sedum roof finish.



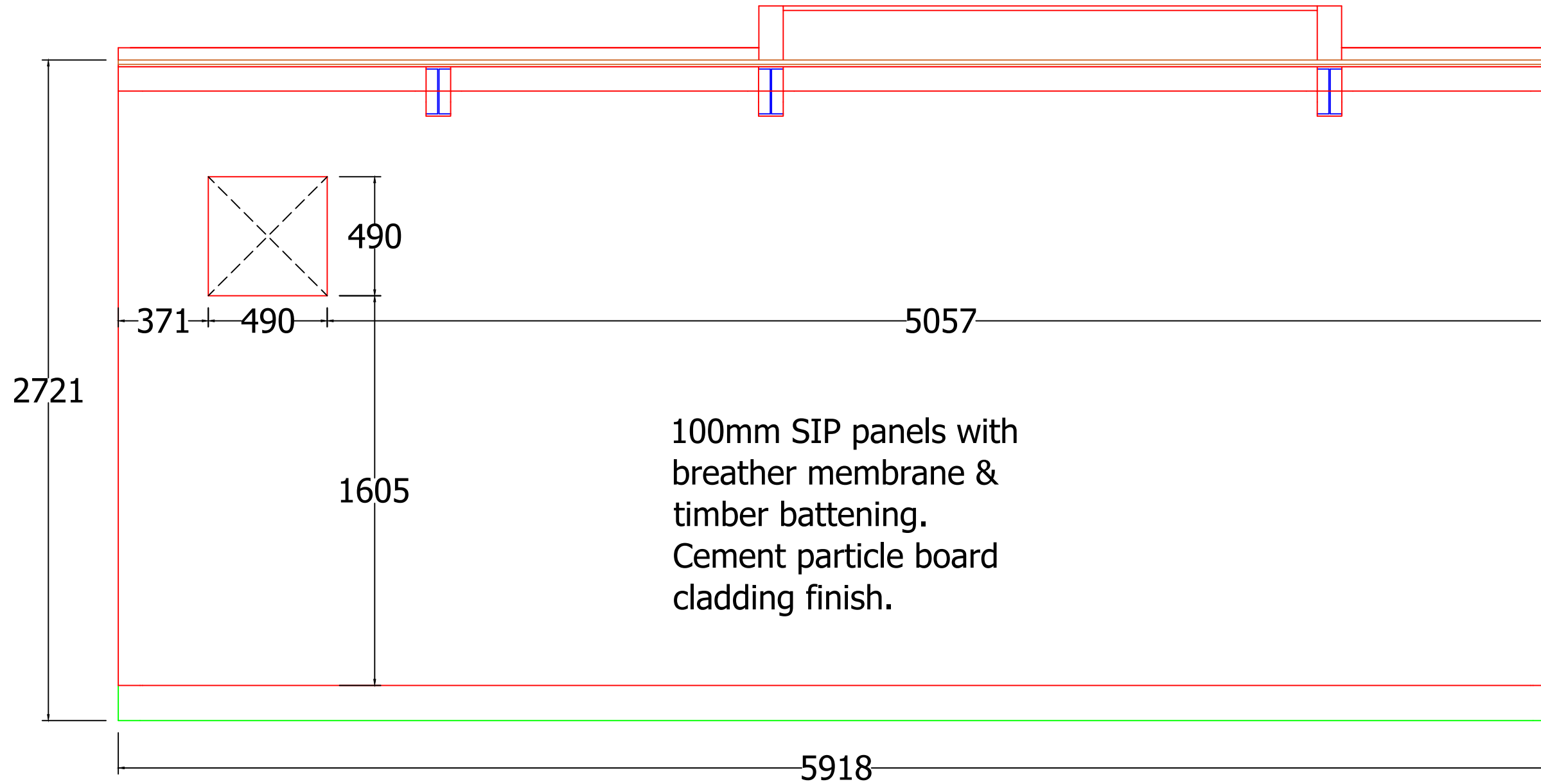
Plus 50mm Void

Screwpile system supporting 145mm C24 timber ringbeam structure with 100mm SIP floor panels inset.

Plus 50mm Void

<p>Notes:</p> <p>-----</p> <p>This drawing is an A3 sheet. Reproduction in any other size or format will result in scales being incorrect. Do not scale. If in doubt, please ask.</p> <p>-----</p> <p>Tolerances: Except where otherwise stated +/- 2mm.</p> <p>-----</p> <p>SIP's panels to be fixed in accordance with Structural Engineers Nailing Schedule &amp; Calculations.</p> <p>-----</p>	<p>Project</p> <p>Green Studios</p> <p>Mitidieri</p> <p>Left Elevation</p>	<p>Drawn</p> <p>JA</p>	<p>Checked</p>
		<p>Drawing N°</p> <p>(02)</p>	
		<p>Date</p> <p>08/04/21</p>	<p>Scale</p> <p>1:20</p>
<p>Revision Note</p> <p>© This drawing, its contents, and all information contained therein is protected by copyright. It may be used once only for its intended purpose under a contract with Green Studios, but specifically not for any other use or purpose</p>		<p>Revision</p>	

100mm PU SIP roof panels supported on steel beams with vapour barrier, decreasing depth timber battening (running left-right) & 18mm OSB roof deck. EPDM & sedum roof finish.



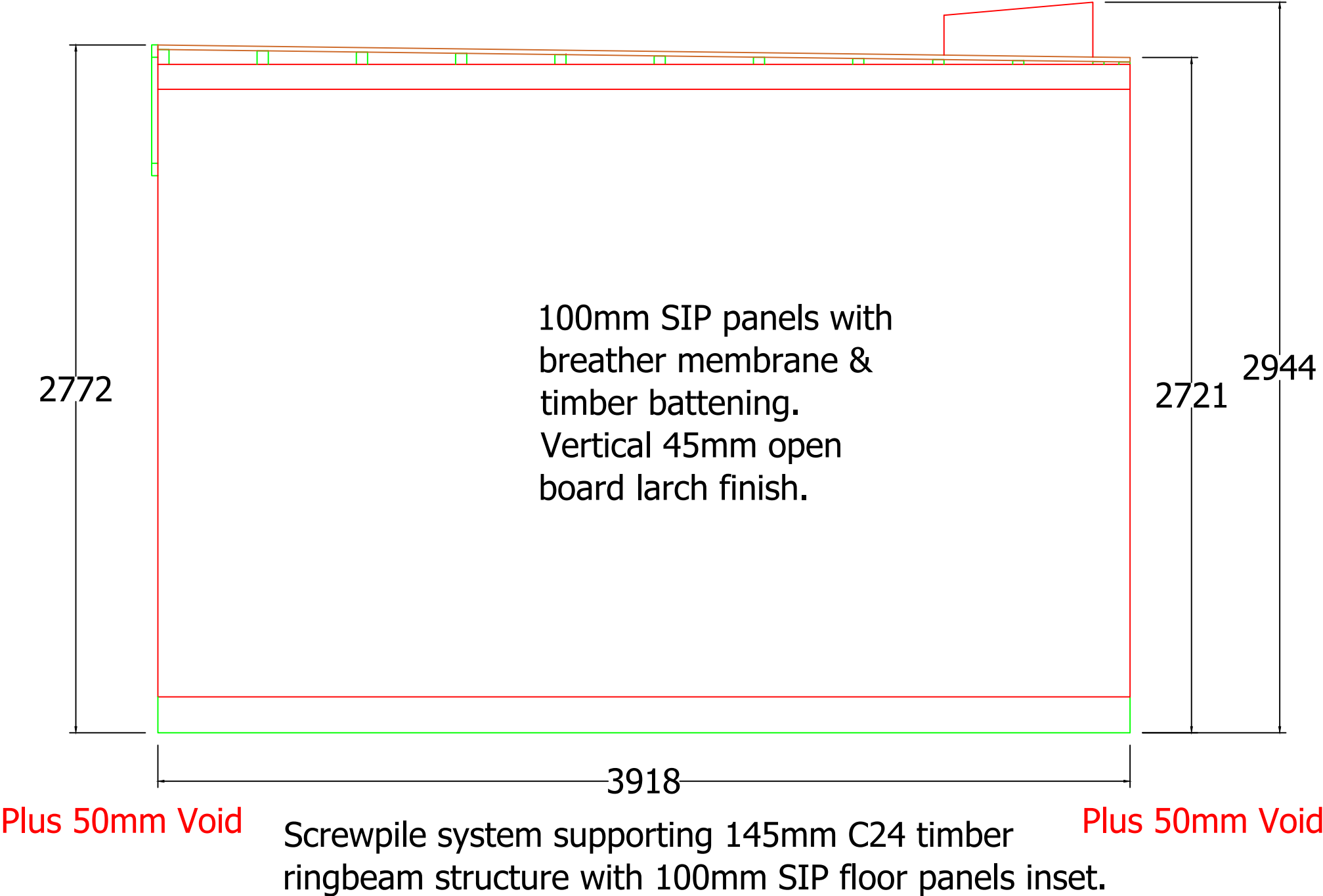
100mm SIP panels with breather membrane & timber battening. Cement particle board cladding finish.


Plus 50mm Void

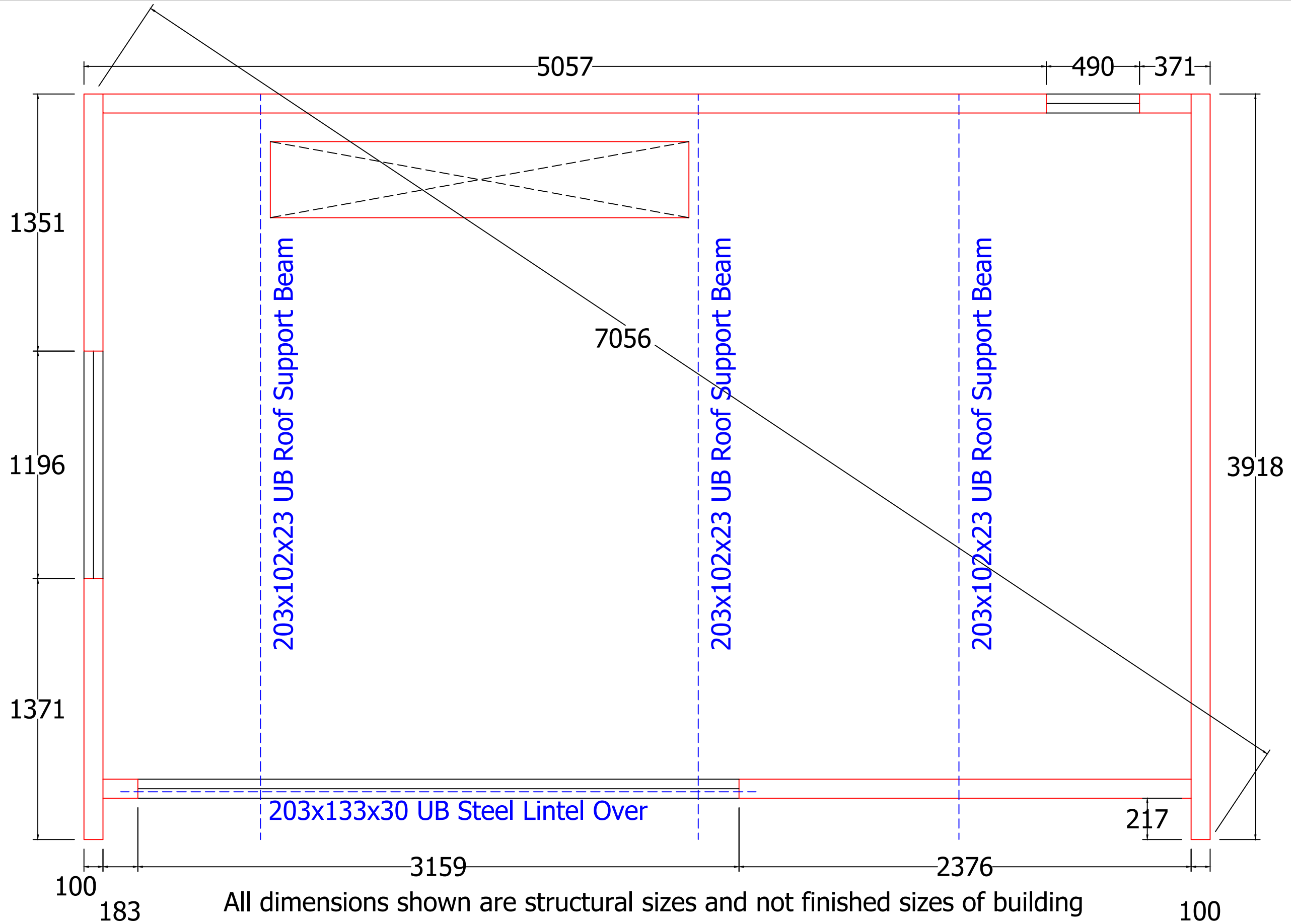
Screwpile system supporting 145mm C24 timber ringbeam structure with 100mm SIP floor panels inset.

Notes: ----- This drawing is an A3 sheet. Reproduction in any other size or format will result in scales being incorrect. Do not scale. If in doubt, please ask. ----- Tolerances: Except where otherwise stated +/- 2mm. ----- SIP's panels to be fixed in accordance with Structural Engineers Nailing Schedule & Calculations. -----		Project Green Studios Mitidieri Rear Elevation		Drawn JA	Checked
		Revision Note		Drawing N° (03)	
		© This drawing, its contents, and all information contained therein is protected by copyright. It may be used once only for its intended purpose under a contract with Green Studios, but specifically not for any other use or purpose		Date 08/04/21	Scale 1:20
		Revision			

100mm PU SIP roof panels supported on steel beams with vapour barrier, decreasing depth timber battening (running left-right) & 18mm OSB roof deck. EPDM & sedum roof finish.



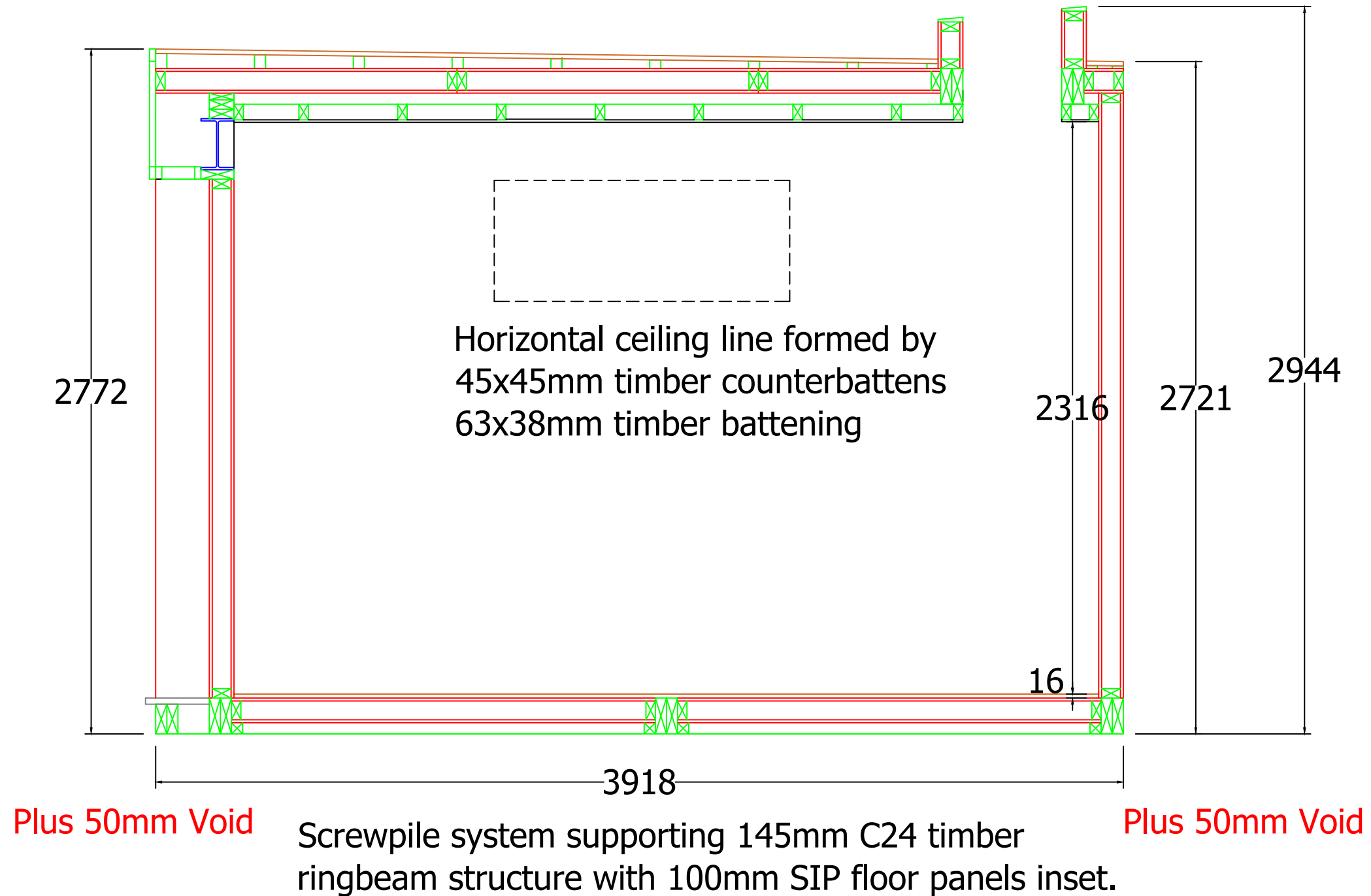
Notes: ----- This drawing is an A3 sheet. Reproduction in any other size or format will result in scales being incorrect. Do not scale. If in doubt, please ask. ----- Tolerances: Except where otherwise stated +/- 2mm. ----- SIP's panels to be fixed in accordance with Structural Engineers Nailing Schedule & Calculations. -----		Project Green Studios Mitidieri Right Elevation	Drawn JA	Checked
		Revision Note	Date 08/04/21	Scale 1:20
<small>© This drawing, its contents, and all information contained therein is protected by copyright. It may be used once only for its intended purpose under a contract with Green Studios, but specifically not for any other use or purpose</small>		Revision		



All dimensions shown are structural sizes and not finished sizes of building

Notes: ----- This drawing is an A3 sheet. Reproduction in any other size or format will result in scales being incorrect. Do not scale. If in doubt, please ask. ----- Tolerances: Except where otherwise stated +/- 2mm. ----- SIP's panels to be fixed in accordance with Structural Engineers Nailing Schedule & Calculations. -----	<small>...L:\Sales &amp; marketing\QA &amp; QA-related branding\MyRGreen_Publish\Studio_Final.dwg</small>	Project Green Studios Mitidieri Floor Plan	Drawn JA	Checked	
			Drawing N° (05)		
			Revision Note	Date 08/04/21	Scale 1:20
			<small>© This drawing, its contents, and all information contained therein is protected by copyright. It may be used once only for its intended purpose under a contract with Green Studios, but specifically not for any other use or purpose</small>	Revision	

100mm PU SIP roof panels supported on steel beams with vapour barrier, decreasing depth timber battening (running left-right) & 18mm OSB roof deck. EPDM & sedum roof finish.



Notes:  
 -----  
 This drawing is an A3 sheet. Reproduction in any other size or format will result in scales being incorrect. Do not scale. If in doubt, please ask.  
 -----  
 Tolerances: Except where otherwise stated +/- 2mm.  
 -----  
 SIP's panels to be fixed in accordance with Structural Engineers Nailing Schedule & Calculations.  
 -----

..L:\sales & marketing\QA & QA-related branding\MyPDSGreen\_Publish\Studio\_Final.dwg

Project  
 Green Studios  
 Mitidieri  
 Section

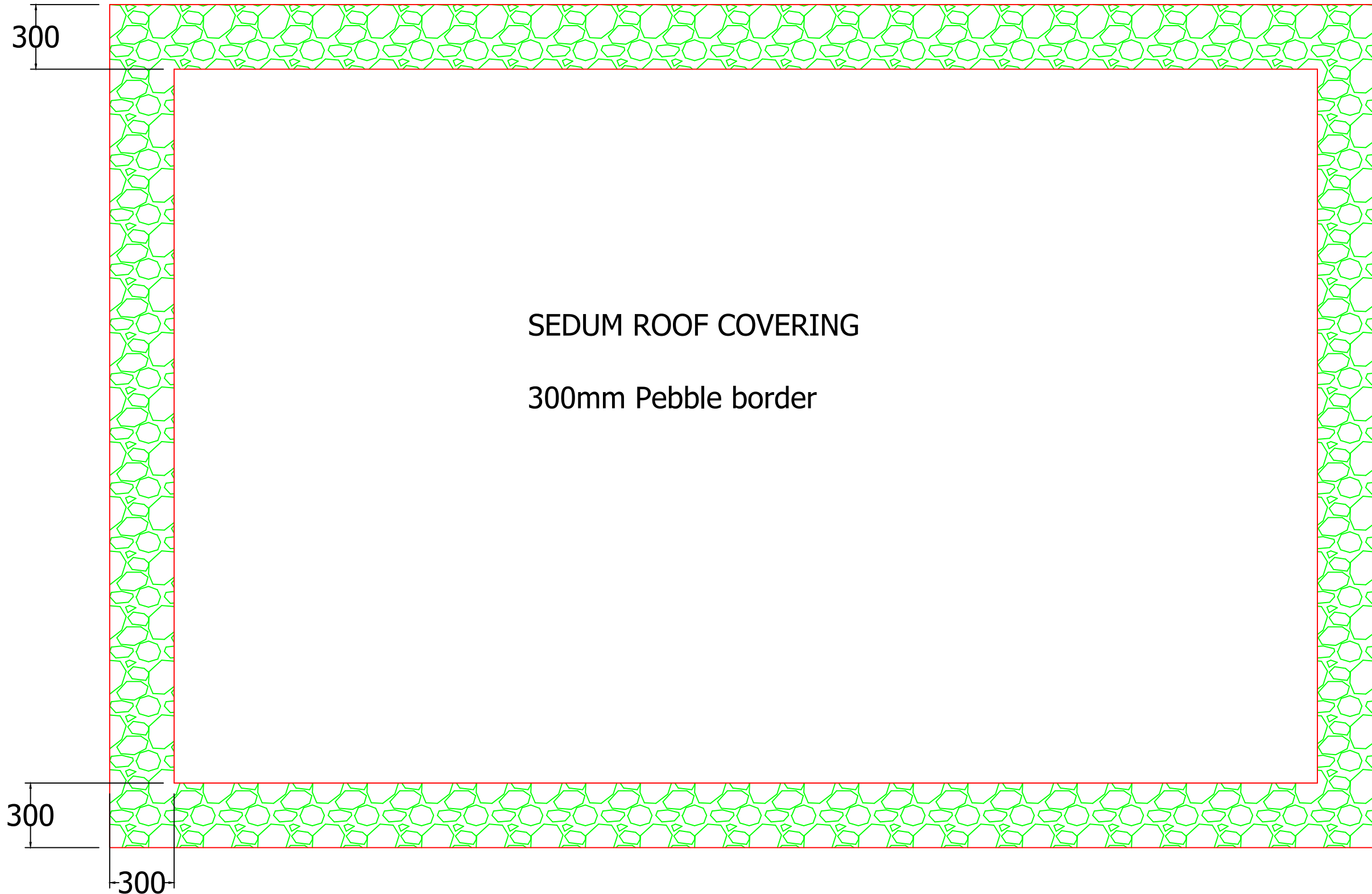
Drawn JA	Checked
Drawing N° (06)	
Date 08/04/21	Scale 1:20

Revision Note

© This drawing, its contents, and all information contained therein is protected by copyright. It may be used once only for its intended purpose under a contract with Green Studios, but specifically not for any other use or purpose

Revision

S/S Edge trim to restrain pebbles at gutter



Notes:  
 -----  
 This drawing is an A3 sheet. Reproduction in any other size or format will result in scales being incorrect. Do not scale. If in doubt, please ask.  
 -----  
 Tolerances: Except where otherwise stated +/- 2mm.  
 -----  
 SIP's panels to be fixed in accordance with Structural Engineers Nailing Schedule & Calculations.  
 -----

...L:\sales & marketing\GIS & QR-coded branding\MyRGreen\_2016\Green\_Studio\Studio\_Final.dwg

Project  
 Green Studios  
 Mitidieri  
 Sedum roof covering

Drawn JA	Checked
Drawing N° (07)	

Revision Note

Date 08/04/21	Scale 1:20
------------------	---------------

© This drawing, its contents, and all information contained therein is protected by copyright. It may be used once only for its intended purpose under a contract with Green Studios, but specifically not for any other use or purpose

Revision



### INSTALLING A GREEN ROOF

1. Put down a layer of thick polythene.
2. Unroll the drainage mat, unfold the selvages and lay the next strip on top of them ensuring that the edges butt up close to each other. The drainage mat should go upto the pebble edge - it doesn't need to be underneath them.
3. Lay the fleecy water retention matting on top of the drainage mat, preferably at 90deg to it. Make sure the edges butt up close together and be certain that the fabric is perfectly smooth with no wrinkles or air pockets beneath it.
4. Lay your Enviromat on top of the water retention matting. Each piece of Enviromat has an extra flap of geotextile backing fabric tucked underneath it. When you lay your Enviromat, this selvage needs to be unfolded so that it lays flat on the roof beside your sedum matting, the next piece of Enviromat should be laid on top of the flap for anchorage.
5. Start at one end of the roof and work backwards - so that you avoid walking or kneeling on the plants. Put the pebble border down as you go along.
6. Don't worry if the sedum planys look a bit squashed when they're first installed, they'll soon perk up.
7. Water thoroughly and feed if necessary. If you are installing between 1st March and 30th June, apply Nutrifusion sedum feed at a rate of 30g/m2. Carefully follow directions on the tub and be careful not to overdose the roof. If you are installing at any other time of year, there is no need to apply Nutrifusion until the spring. Nutrifusion MUST be watered in as soon as it is applied

### SPRING MAINTENANCE

1. Check that drainage outlets are clear and that the roof structure is in good condition
2. Remove any debris, fallen leaves etc
3. Hand weed to remove unwanted plants or tree seedlings
4. Apply slow release fertiliser as per the manufacturers instructions and water it in
5. Use sedum cuttings to repair any bald patches

### AUTUMN MAINTENANCE

1. Check that drainage outlets are clear and that the roof structure is in good condition
2. Remove any debris, fallen leaves etc
3. Hand weed to remove unwanted plants or tree seedlings

### IN DRY WEATHER

1. Sedum plants are very drought tolerant but during long periods of drought it is wise to check for signs of severe stress. Don't worry if plants look small and hard (like beads) or if the leaves turn red - this is the plants normal defence against drought. If however the leaves appear wrinkled and rubbery (like a deflated balloon), then the plants will benefit from a really good soaking with water. Always irrigate in the evening to avoid losing water through evaporation

Notes: ----- This drawing is an A3 sheet. Reproduction in any other size or format will result in scales being incorrect. Do not scale. If in doubt, please ask. ----- Tolerances: Except where otherwise stated +/- 2mm. ----- SIP's panels to be fixed in accordance with Structural Engineers Nailing Schedule & Calculations. -----	<small>...L:\Sales &amp; marketing\GIS &amp; QR-coded branding\GIS\Green_Studio\Studio_Final.dwg</small>	Project	Drawn	Checked
		Green Studios	JA	
		Mitidieri	Drawing N°	
		Sedum install and maintenance	(08)	
		Revision Note	Date	Scale
			08/04/21	NTS
		© This drawing, its contents, and all information contained therein is protected by copyright. It may be used once only for its intended purpose under a contract with Green Studios, but specifically not for any other use or purpose		Revision