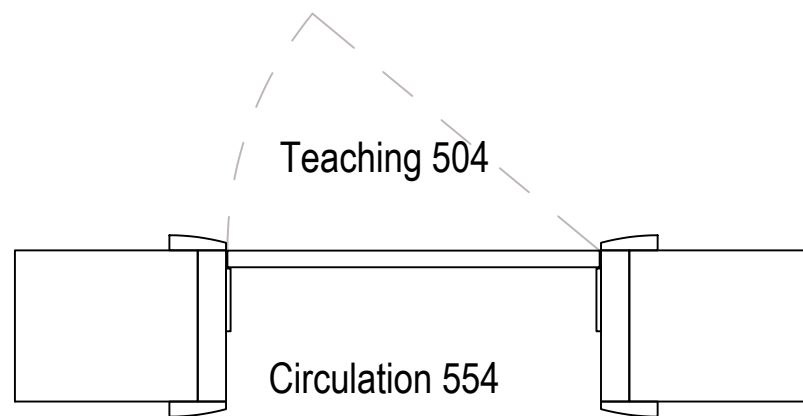
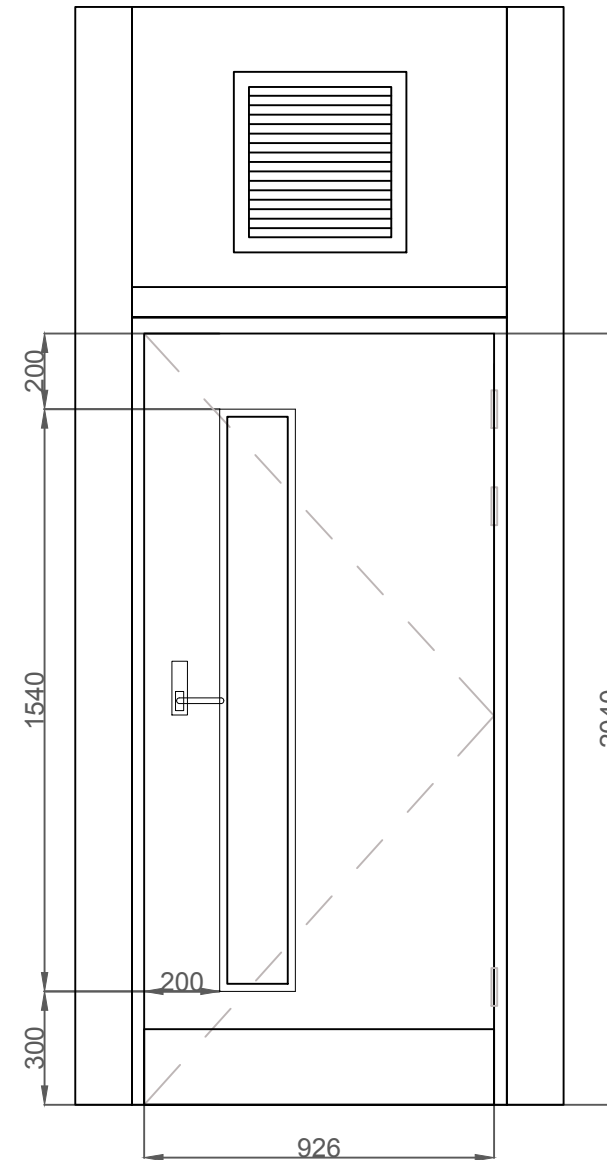
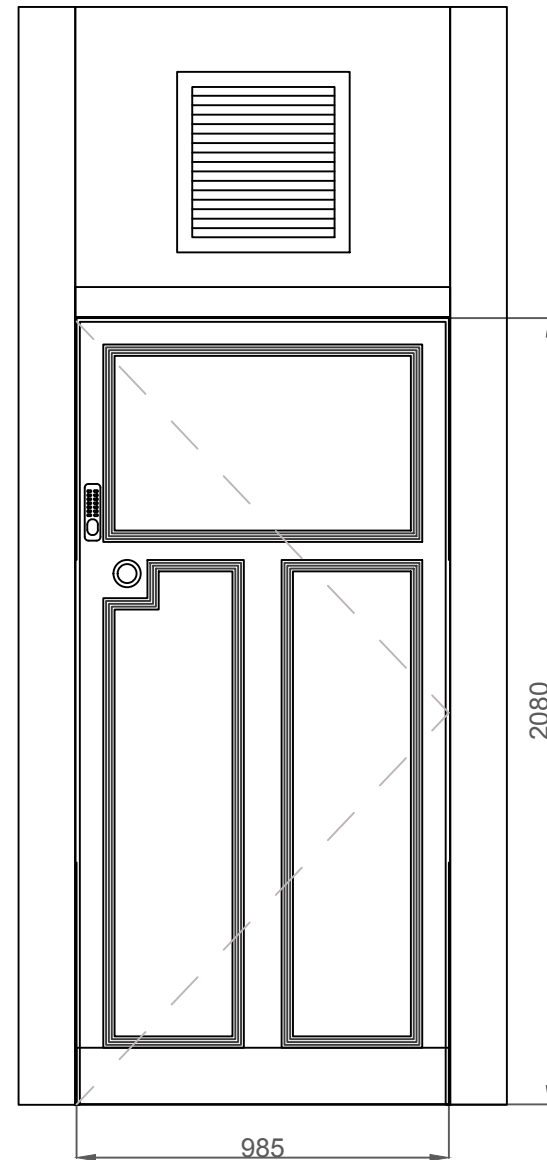
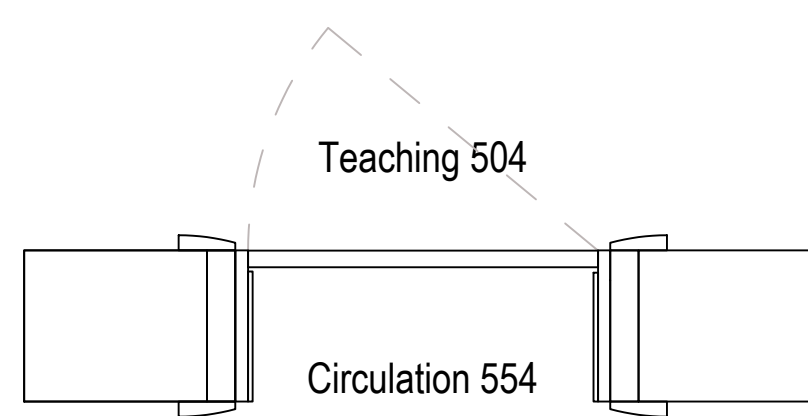


NOTES

- Carefully remove and discard existing door and associated fittings, casings, beads, linings and architraves up to line of the solid panel housing the ventilation grille above door.
- Ventilation plenum box over and associated panel to be retained.
- Set existing room name and way finding signage to one side for future reapplication.
- Make good remaining door opening.
- Supply and fit new casing / lining as per specification to suit door leaf dimensions shown.
- Increase lining as necessary to align with the retained framework over the door opening.
- Casing depth to suit wall / partition thickness.
- Apply fire resistant / intumescent flexible sealant around casing and wall abutment.
- Apply new architraves and make good existing skirtings.
- Supply and fit new door and associated fixtures and fittings as per relevant door specification (refer to door schedule)
- Check, ease and adjust door operation.
- Fit retained room name and way finding signage to door.



Existing Door



Proposed Door

Rev	Date	Description	Initials
-----	------	-------------	----------

Client

CAMDEN WMC

Project Name

CAMDEN WMC DOOR SCHEDULE

Drawing Title

LEVEL 5 DOOR 072

Issue Status

LISTED BUILDING CONSENT

Scale & Paper Size	Date Originated	Drawn
1:20@A3	18-03-21	VP

Project No.	Stage	No.	Rev.
P404	-	008	0

