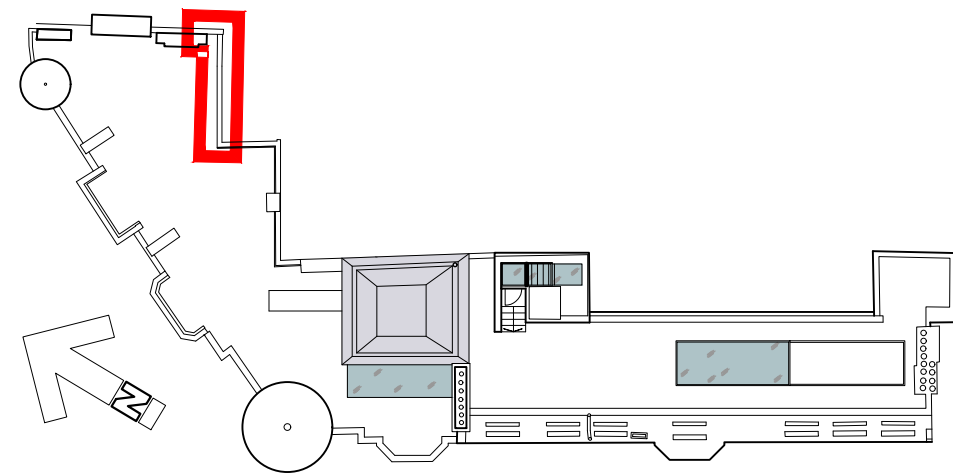
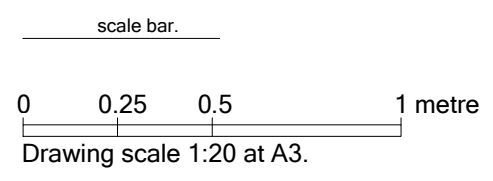
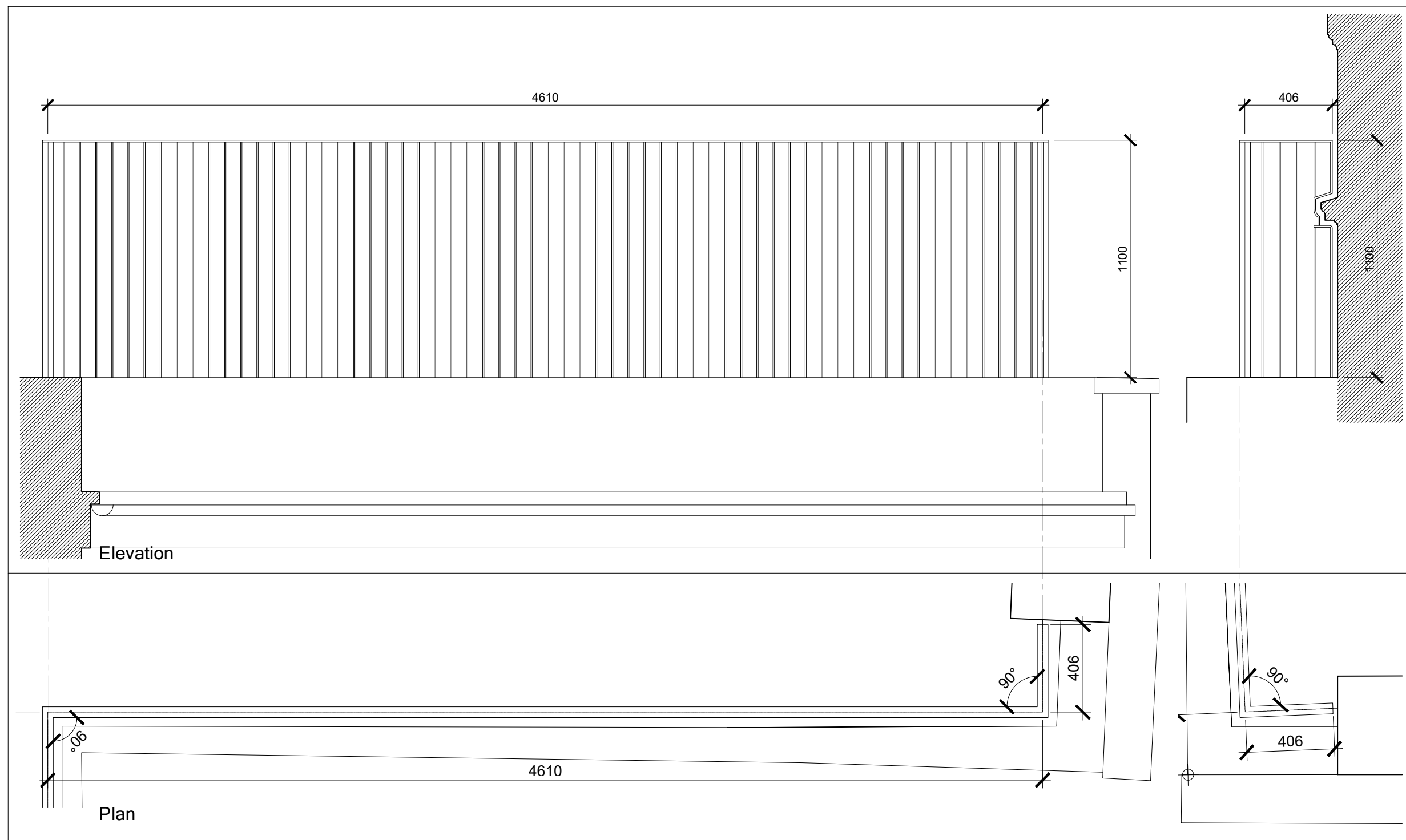


When no dimensions given do not scale drawing. Refer to Michael Drain Architects. If drawings conflict give precedence to larger scale drawings. Where this drawing relates to existing buildings or partially completed construction, the contractor shall check that there is no conflict between actual building dimensions and drawing dimensions. In the event of conflict between this drawing and sub-contractors working drawings for relevant building components, the sub-contractors drawing shall take precedence. SUCH CONFLICTS SHALL BE REPORTED IMMEDIATELY TO MICHAEL DRAIN ARCHITECTS. All dimensions in mm unless otherwise stated.



revision.	
address.	11 - 13 market place . london . W1W 8AH
www.	michaeldrain.com
t.	020 7580 1415
registered.	in england . company number . 405 7890
ref.	291
	3 Grape Street
	London . WC2H 8DX
title.	External Terrace
	Balustrade Setting-Out
	Proposed
scale at A3.	1:20
status.	Planning
n°	291-3-056

A3 drawing
michaeldrainarchitects