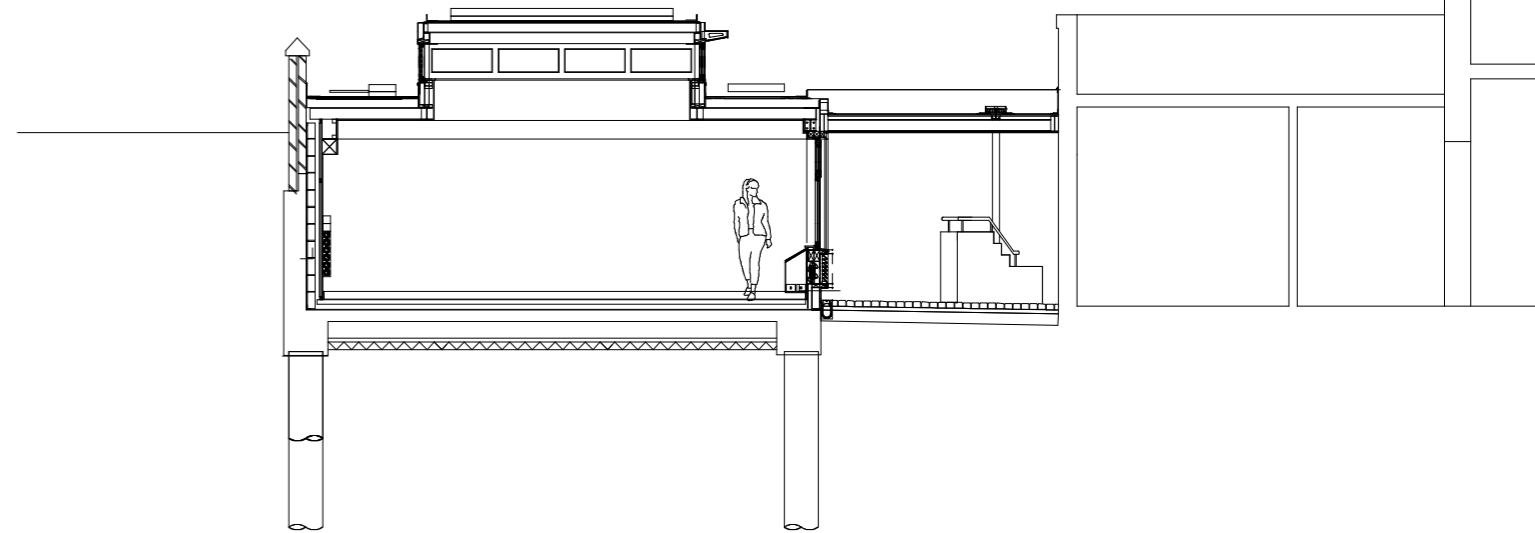
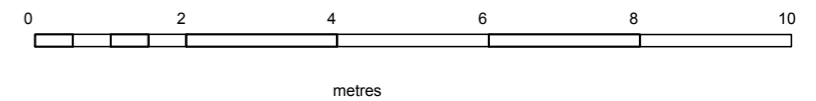


Section AA: Reception Classroom



Section BB: Classroom & "Link" area



ed tooveyarchitects

studio 401 royle building
31 wenlock road
london n1 7sh
07880 725763
edtoovey@yahoo.co.uk

Revisions:

PLANNING ISSUE

- Always take site measurements to verify dimensions
- Refer to M&E Engineers drawings for all services

St. Christopher's School: Reception Classrooms Project

Section AA_BB existing

January 2020

Drwg No. 2026 / GS / 001 -

Scale 1:100 @ A3