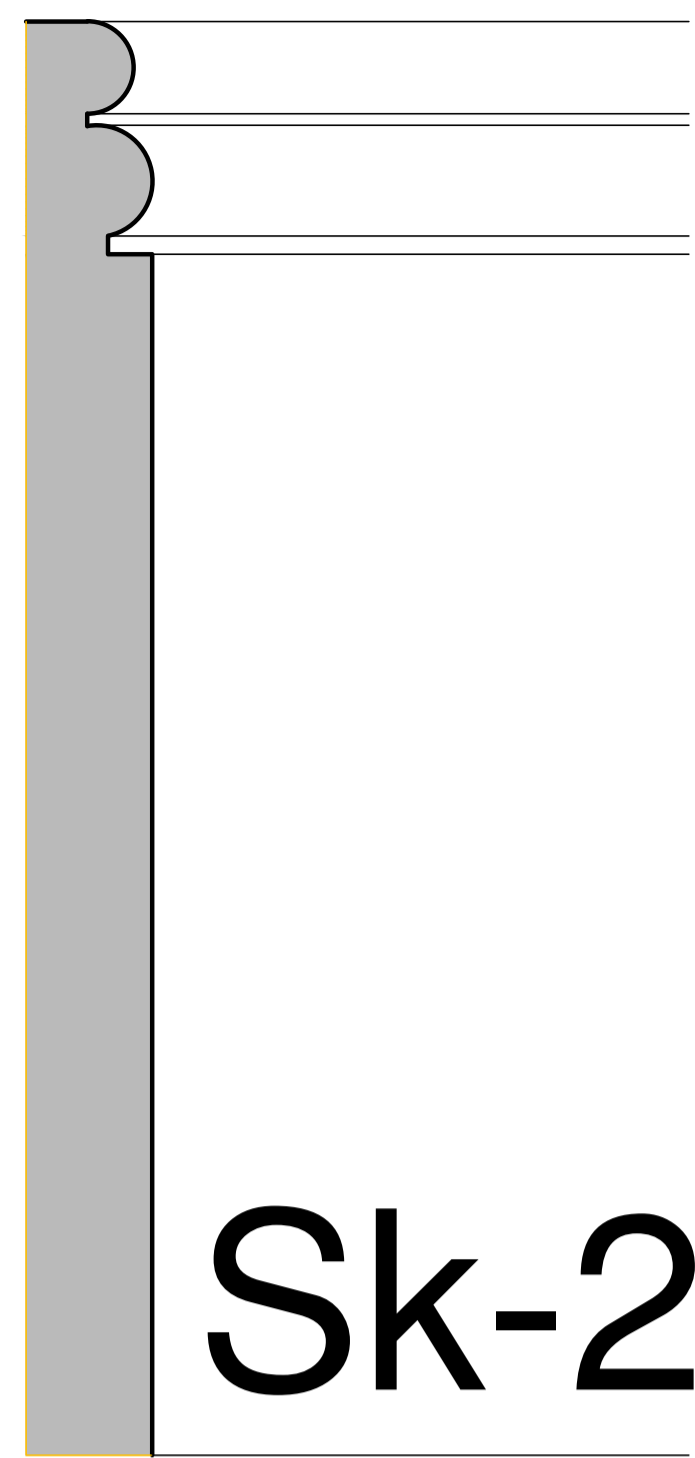
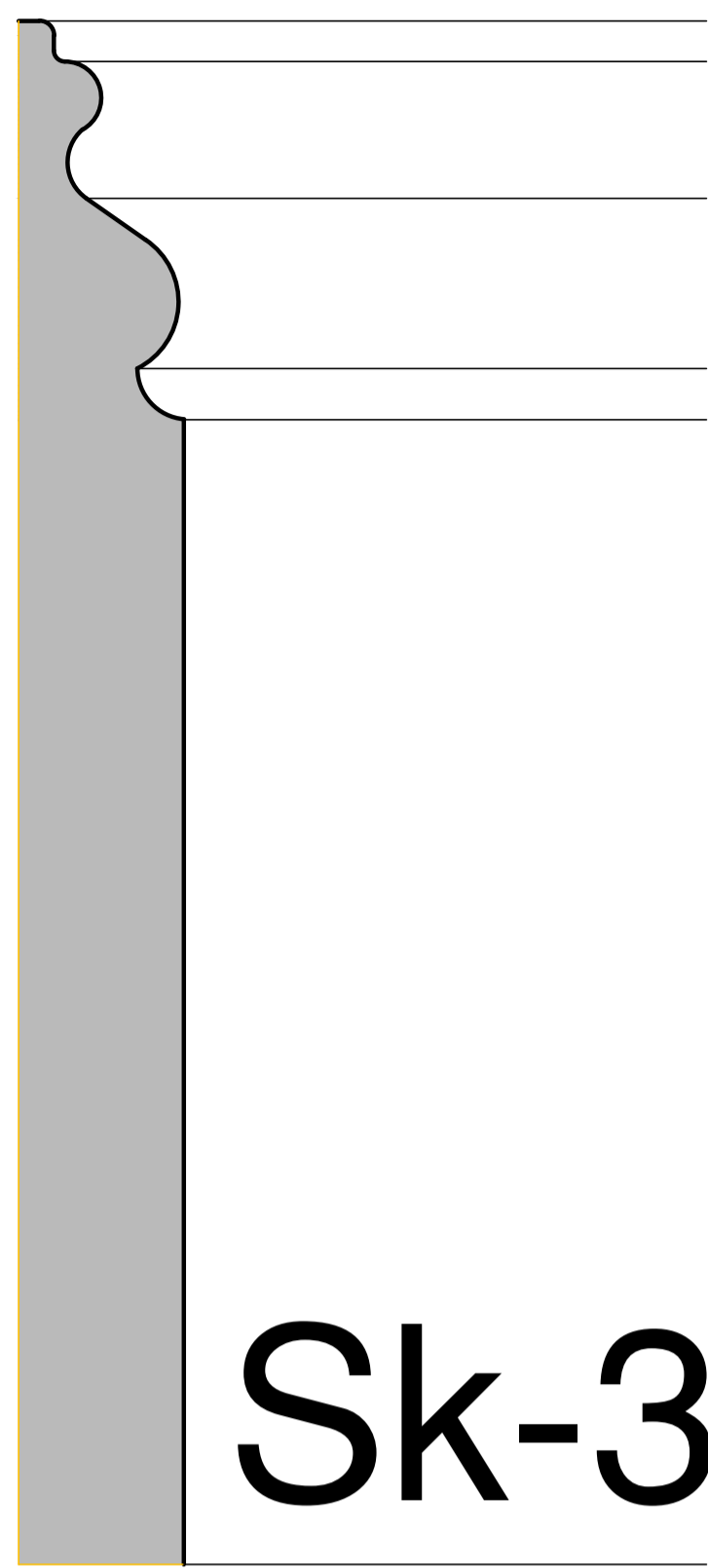


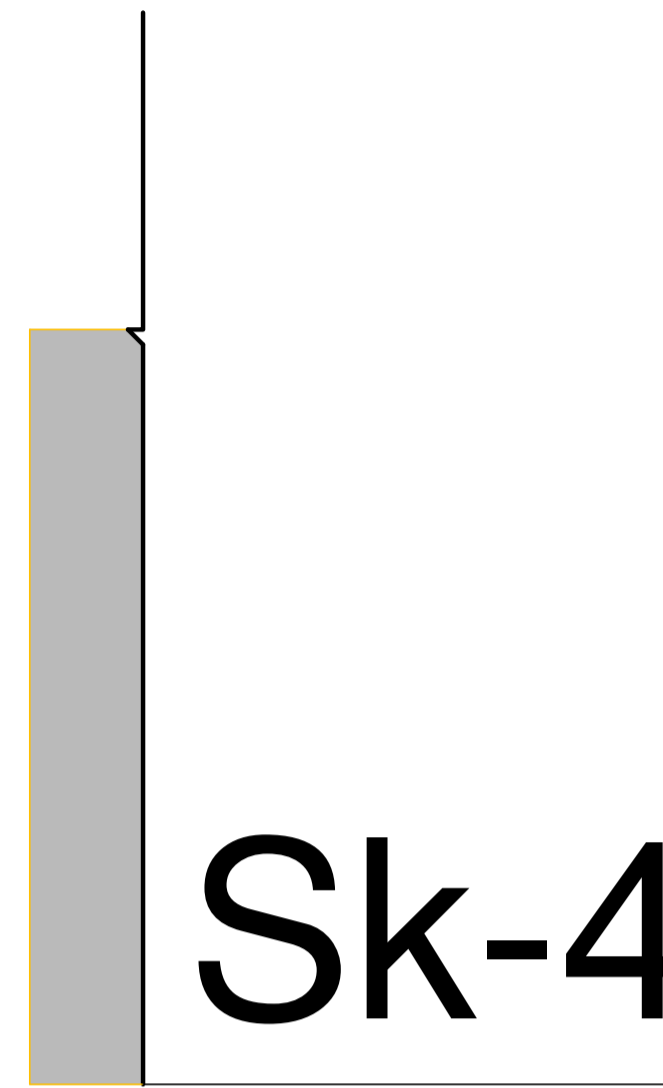
Sk-1



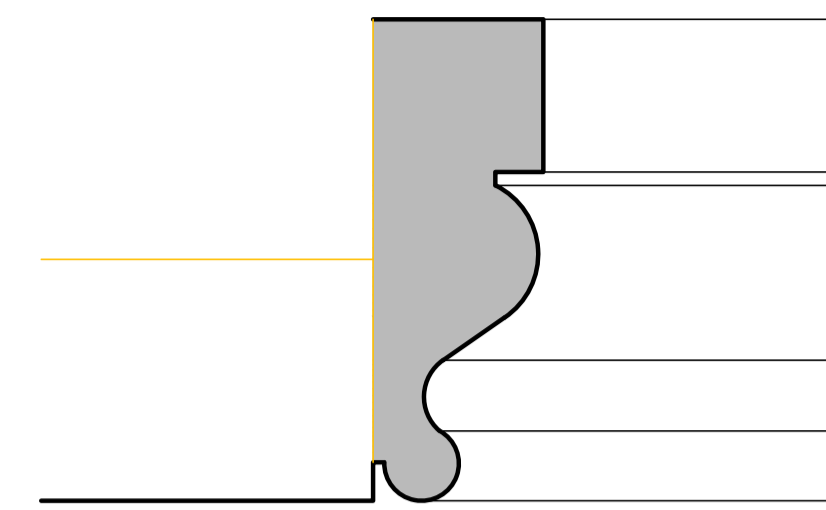
Sk-2



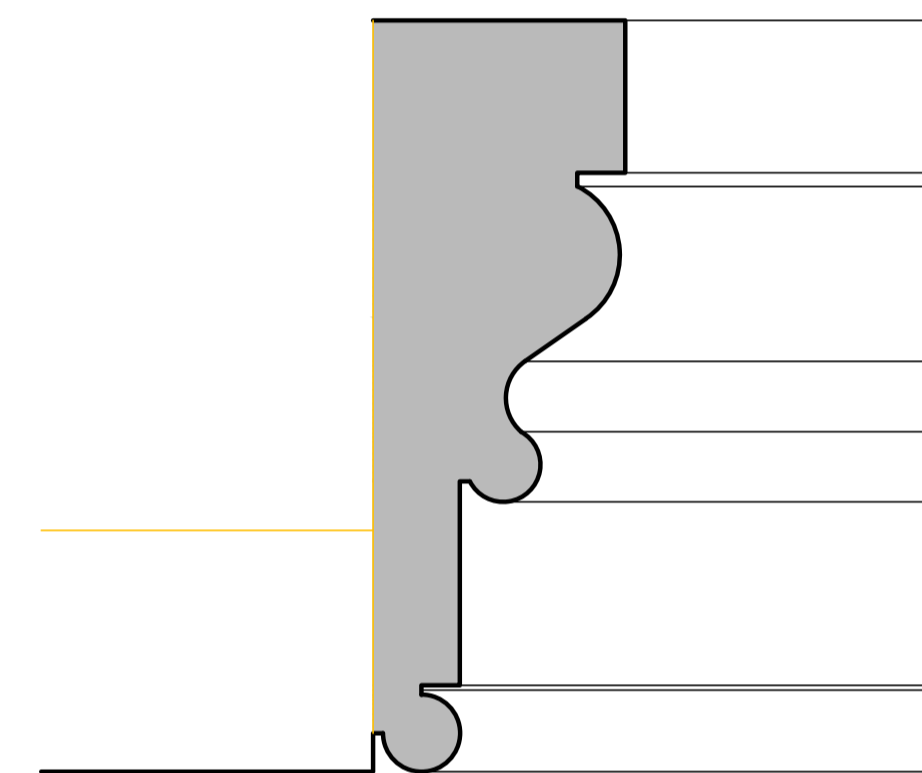
Sk-3



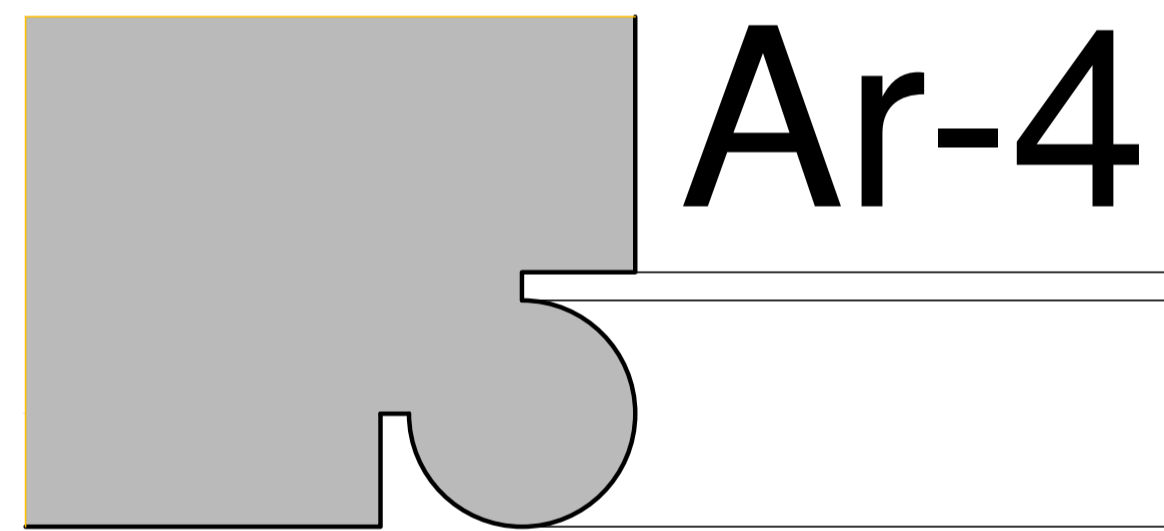
Sk-4



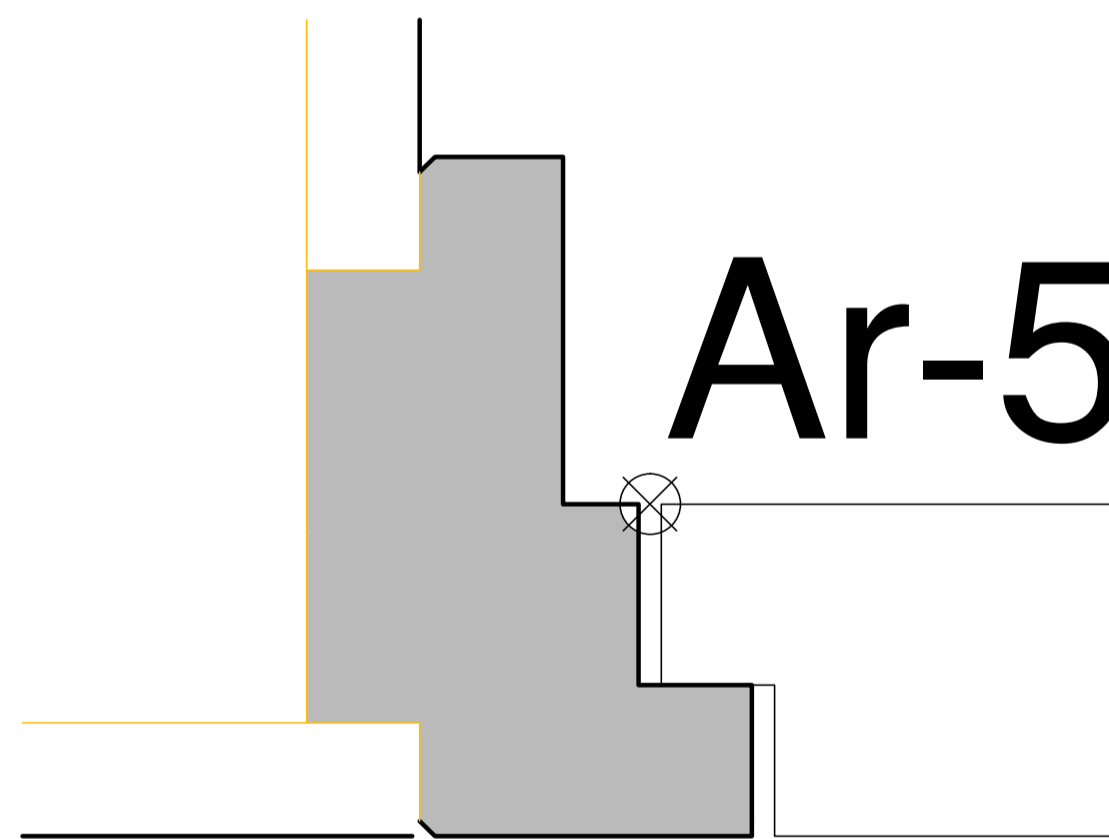
Ar-3



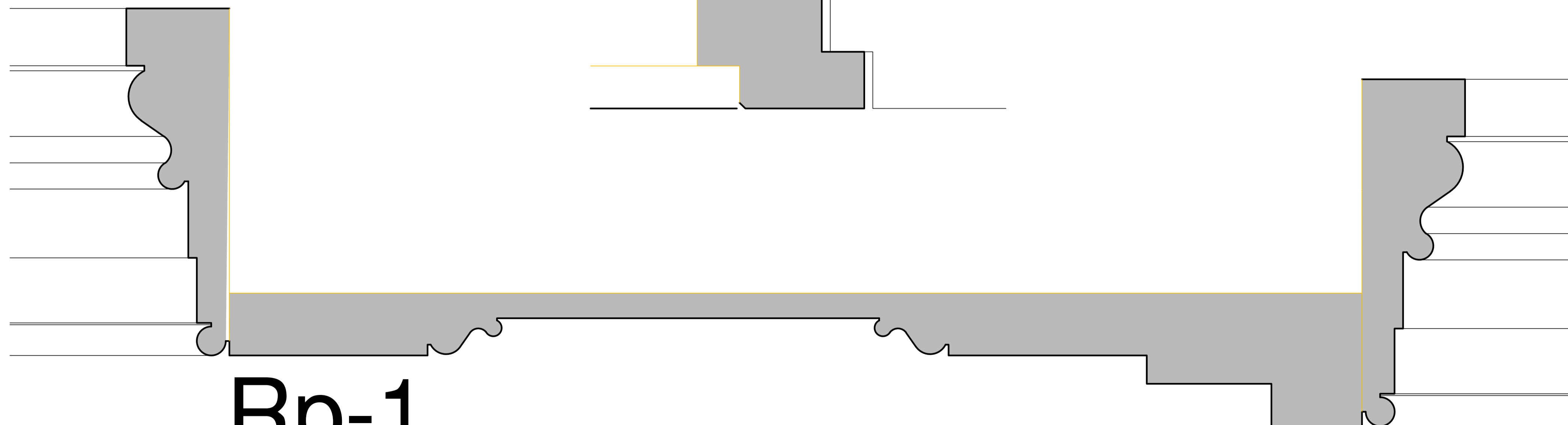
Ar-2



Ar-4



Ar-5



Rp-1

Ar-1

Revisions

Architecture and Design © Copyright

STEPHEN BRANDES ARCHITECTS
5 Spedan Close Hampstead London NW3 7XF
architects@brandes.co.uk Tel 020 7431 2225

Job Title

17 GREVILLE PLACE
LONDON NW6

Drawing Title

JOINERY PROFILES
FULL SIZE

SCALE FS @ A1

CAD Information

DATE JAN 2021

DRAWN SB

ISSUE PLANNING

Job No.

591

Drawing No.

PLB 176

Rev.