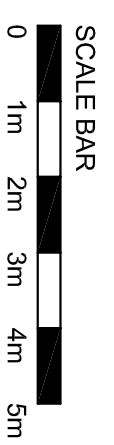


RevNo	Revision note	Date	Signature	Checked
A	FINAL SPACE PLAN SKETCH FOR INFORMATION	26.02.2021	MG	MG
B	AMENDMENTS BY CLIENT AS SUBMITTED - FOR INFORMATION	02.03.2021	MG	MG
C	AMENDMENTS BY CLIENT FOR INFORMATION	07.03.2021	MG	MG

Window sill



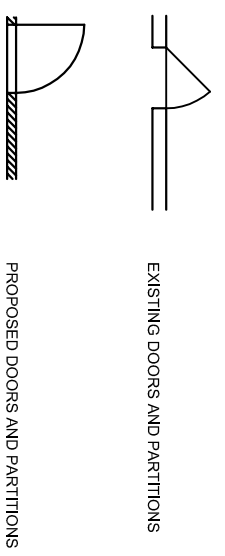
BASEBUILD NOTES

1. THIS DRAWING IS A DIAGRAM PRODUCED FROM AN IMAGE FILE FOR VIEWING AND DISCUSSION PURPOSES ONLY - THE DRAFTSPERSON ACCEPTS NO RESPONSIBILITY FOR ITS CONTENTS AND USE.
2. THIS DRAWING IS NOT FOR CONSTRUCTION.
3. THIS DRAWING HAS BEEN PRODUCED FROM AN IMAGE FILE AND NOT FROM A SURVEY - IT IS BOUND TO CONTAIN INACCURACIES. LAYOUT MUST BE SURVEYED AND CONFIRMED.

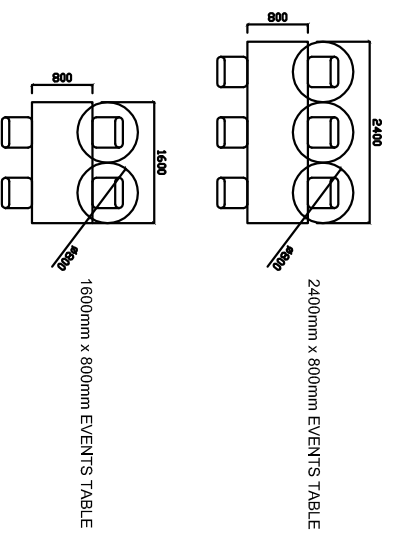
SPACE PLAN NOTES

1. THIS SPACE PLAN DRAWING IS AT SCHEMATIC STAGE AND SHOULD NOT BE USED FOR CONSTRUCTION AND/OR INSTALLATION OF FURNITURE.
2. THIS LAYOUT IS A DIAGRAM AND HAS NOT BEEN PLANNED IN LINE WITH CURRENT BUILDING REGULATIONS. ANY FINAL LAYOUT SHOULD BE PRODUCED IN ACCORDANCE WITH CURRENT BUILDING REGULATIONS.

PARTITION TYPES



FURNITURE KEY



**NOT FOR CONSTRUCTION
FOR VIEWING ONLY**

Itemref	Quantity	Title/Name, designation, material, dimension etc	Article No./Reference
Designed by	TBC	Checked by	MG
Approved by - date	XXX - 00/00/00	File name	300HH_BB.DWG
		Date	26/02/21
		Scale	1:100@A3

POP UP PAINTING

SPACE PLAN SKETCH

300HH-100-GA

Edition A
Sheet 1/1

