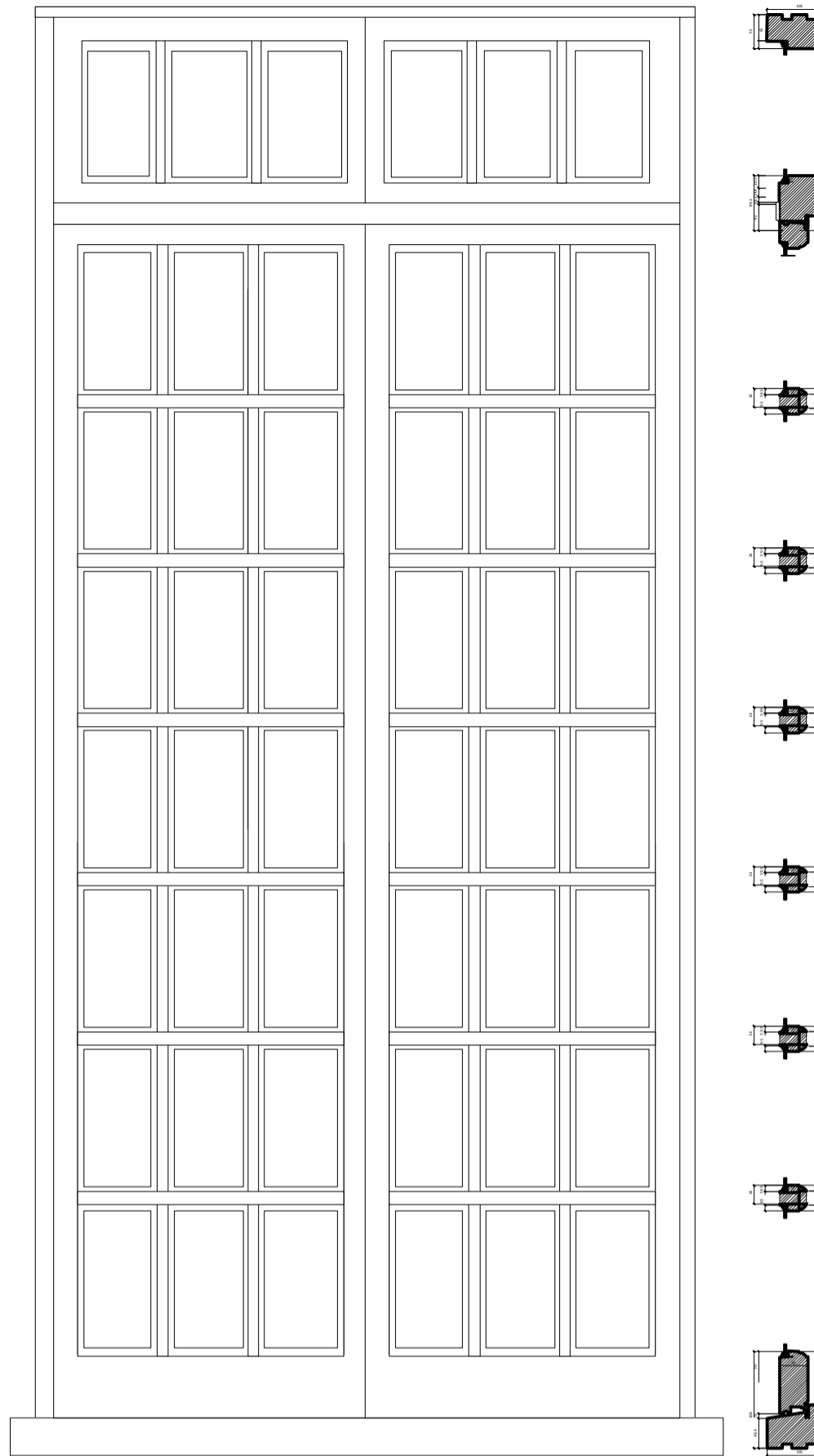
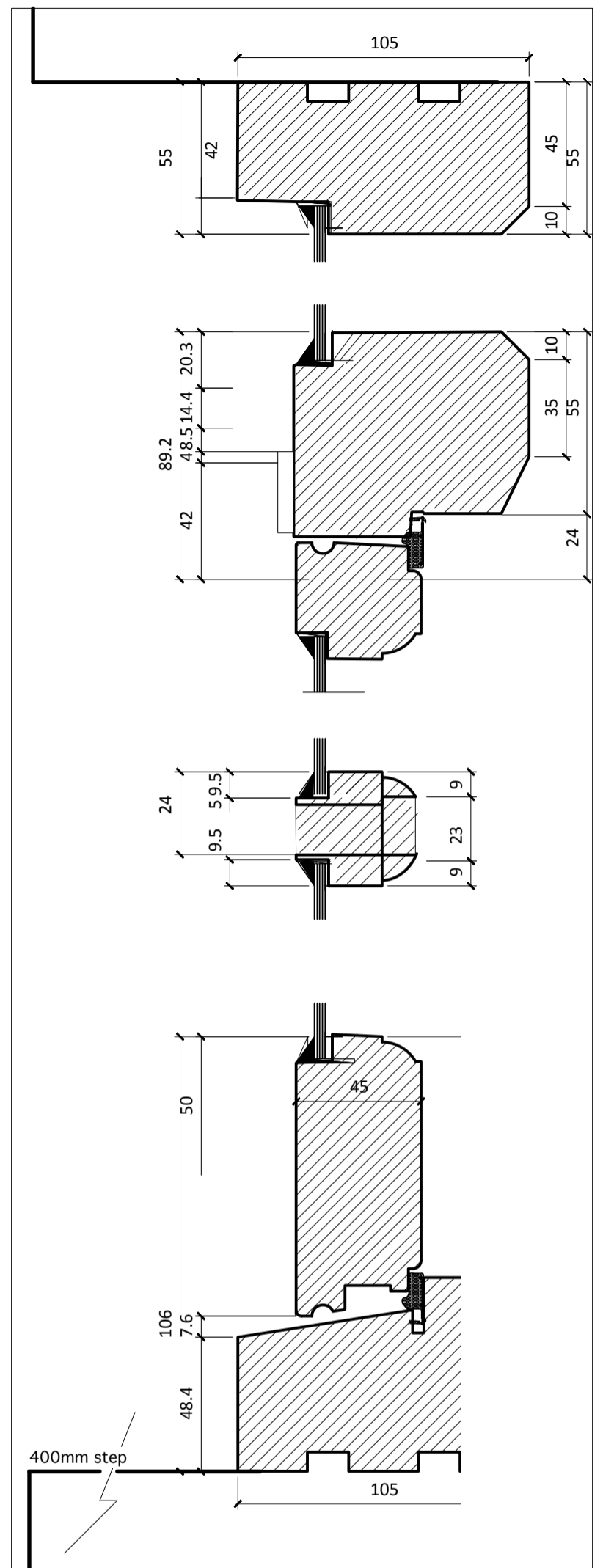
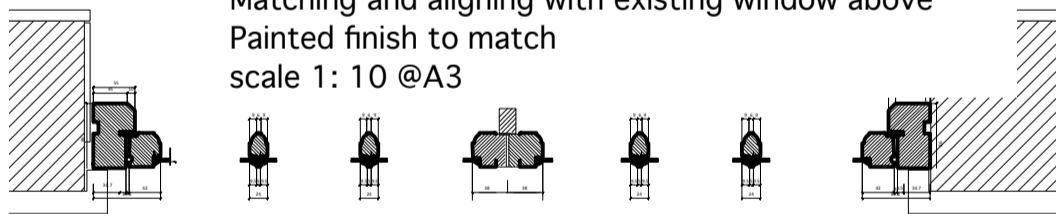


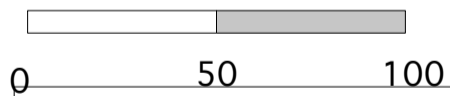
3AFL Proposed door



Proposed timber door -
 Matching and aligning with existing window above
 Painted finish to match
 scale 1: 10 @A3



Timber profile detail section
 scale 1:2 @A3



Timber profile detail section
 scale 1:2 @A3

