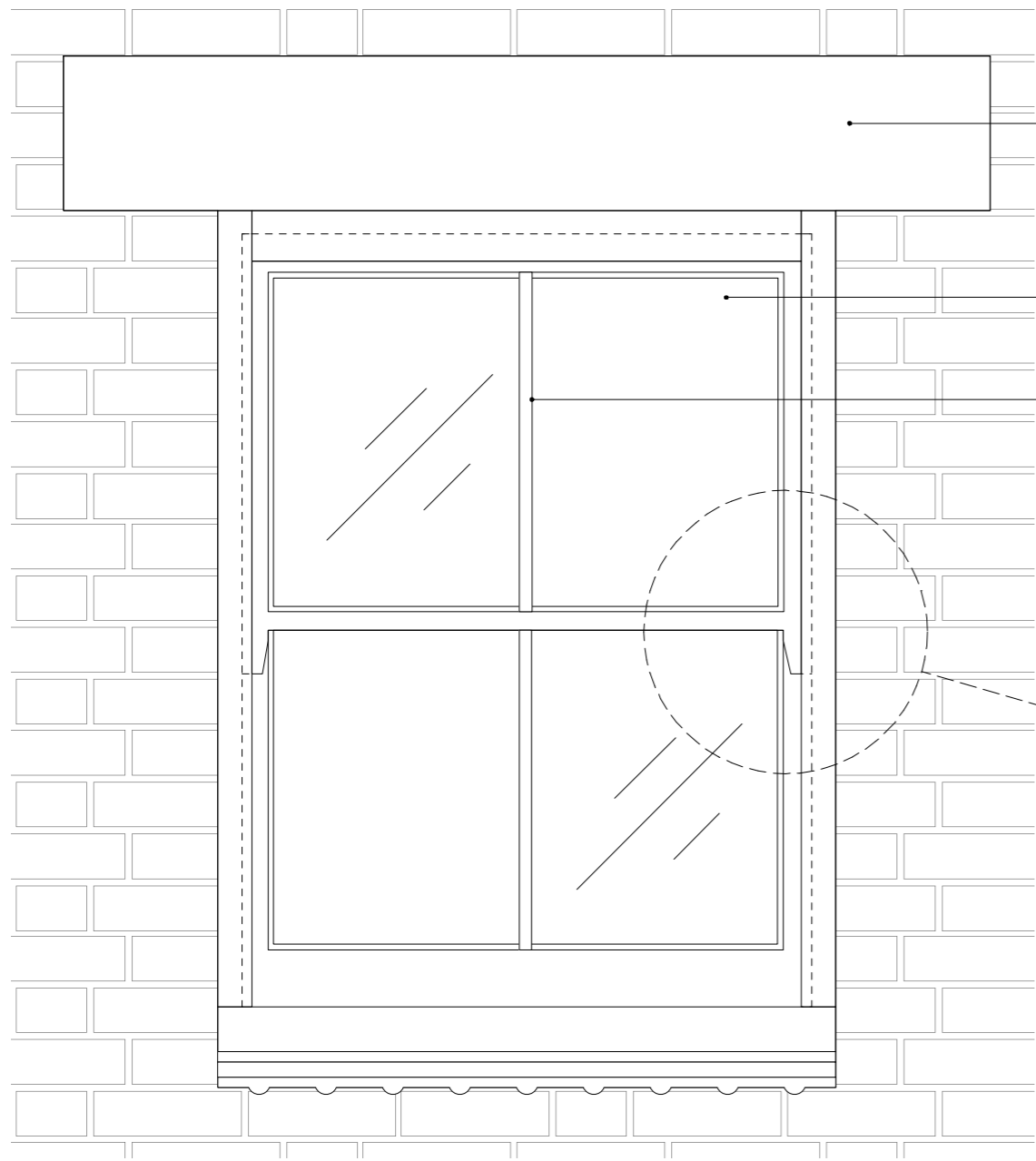


**2 COLVILLE PLACE**  
**SASH WINDOWS DETAILS**  
 PROPOSED

Project number	Drawing number	Revision
46	601	A
Date	Status	
February 2021	Design Intent	
Scale	Drawn	Checked
1:10 @ A3	AB	AB
Rev.	Date	Description
A	09.03.2021	Glazing bar reinstated to match existing.

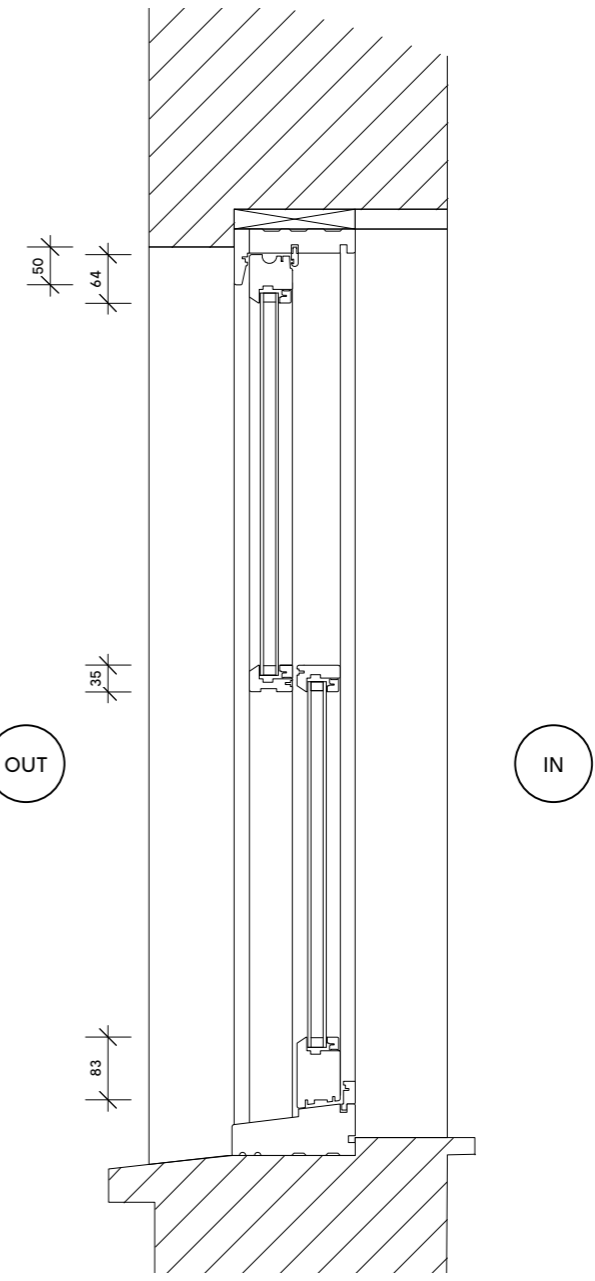
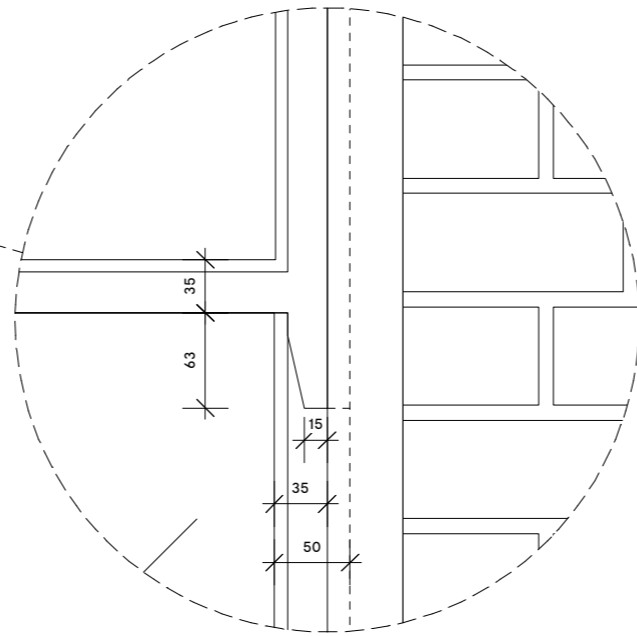
Notes



Existing window sill, lintel and brick reveal retained. All setting out as per existing.

New double glazed timber sash windows replacement.

18mm traditional glazing bar.



**1** WINDOW | EXTERIOR ELEVATION  
 601 SCALE: 1:10

**3** WINDOW | HORN DETAIL ELEVATION  
 601 SCALE: 1:5

**4** WINDOW | VERTICAL SECTION  
 601 SCALE: 1:10



New double glazed timber sash windows replacement.

Existing window sill, lintel and brick reveal retained. All setting out as per existing.

**2** WINDOW | HORIZONTAL SECTION  
 601 SCALE: 1:10

EXTERNAL FINISH: FARROW AND BALL 'GREEN SMOKE'

Do not scale from this drawing, except for planning purposes only. All dimensions to be checked on site. ATELIER BAULIER to be notified of any discrepancies between the drawing and site conditions. To be read in conjunction with all relevant specifications, schedules and drawings. © ATELIER BAULIER 2021

**ATELIER BAULIER**

Aurore Baulier RIBA  
 ATELIER BAULIER  
 18-22 Ashwin Street  
 LONDON E8 3DL  
 +44 (0)75 8284 3659  
 info@atelierbaulier.com