

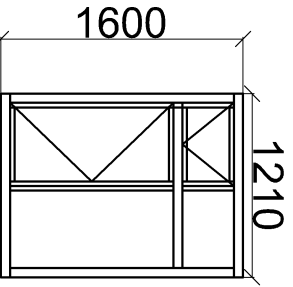
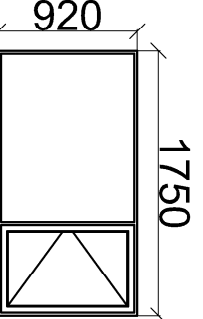
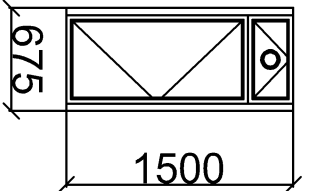
The contractor is responsible to ensure that no products are to be utilised that do not comply with the relevant standards of European countries and/or the relevant standards of the country of destination. Consideration shall be given to the health and safety of the user and the durability of the work or not in accordance with good building practices.

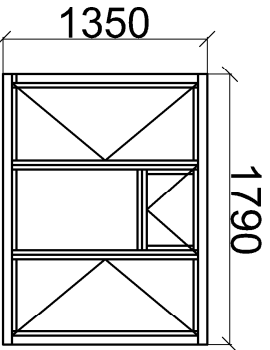
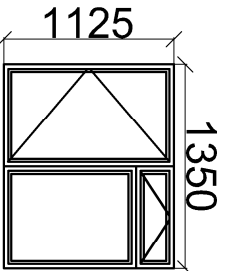
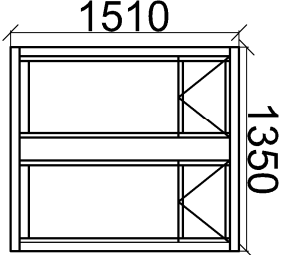
The contractor is responsible for checking dimensions, tolerances, levels and references. This drawing is to be read in conjunction with all relevant consultation or specialist drawings. Any discrepancy is to be notified to Baily Garner LLP and rectified before proceeding with the works on site or shop drawings.

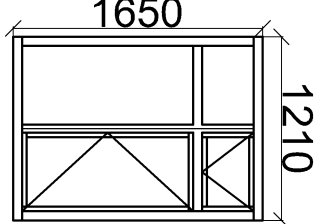
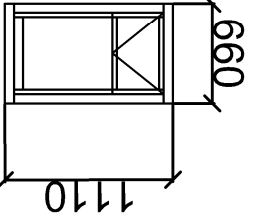
Where an item is covered by drawings to different scales, the larger scale drawing is to be worked to.

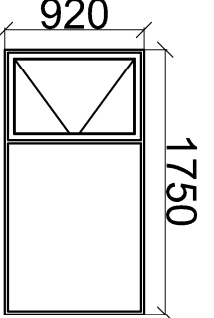
Do not scale drawings. Figured dimensions to be worked to in all cases.

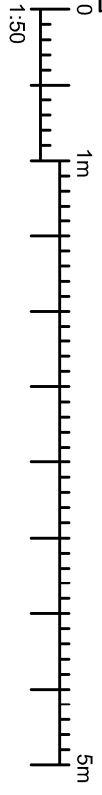
This drawing and the copyrights and patents therein are the property of Baily Garner LLP and may not be used or reproduced without consent or authorisation.

<p>WJ</p> 	<p>WN</p> 	<p>WR</p> 
--	--	--

<p>WK</p> 	<p>WO</p> 	<p>WP</p> 
--	--	--

<p>WL</p> 	<p>WQ</p> 	
--	--	--

<p>WM</p> 		
--	--	--



REVISION	DATE
D	C



146-148 ELTHAM HILL
LONDON SE9 3DY
T 020 8294 1000
F 020 8294 1320
e. general@bailygarner.co.uk

CLIENT
London Borough Of Camden

ADDRESS
20 Acol Road
London,
NW6 3AG

PROJECT
Proposed Window Schedule B

TITLE
Window Replacement

PURPOSE OF ISSUE
PLANNING

SCALE	D	C	DATE
1:50	MW		12/2020
JOB NO.	30917	REVISION	-

