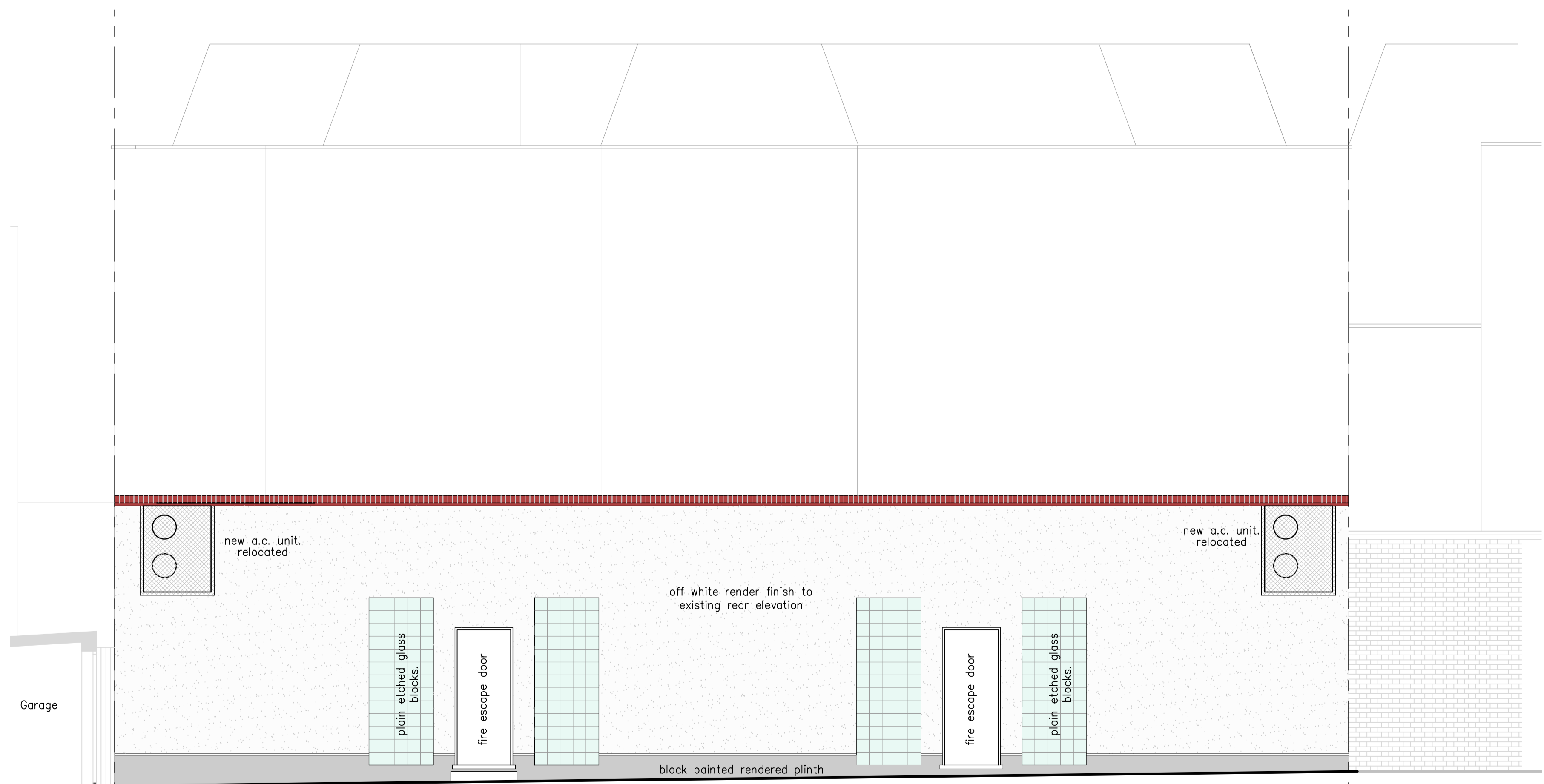


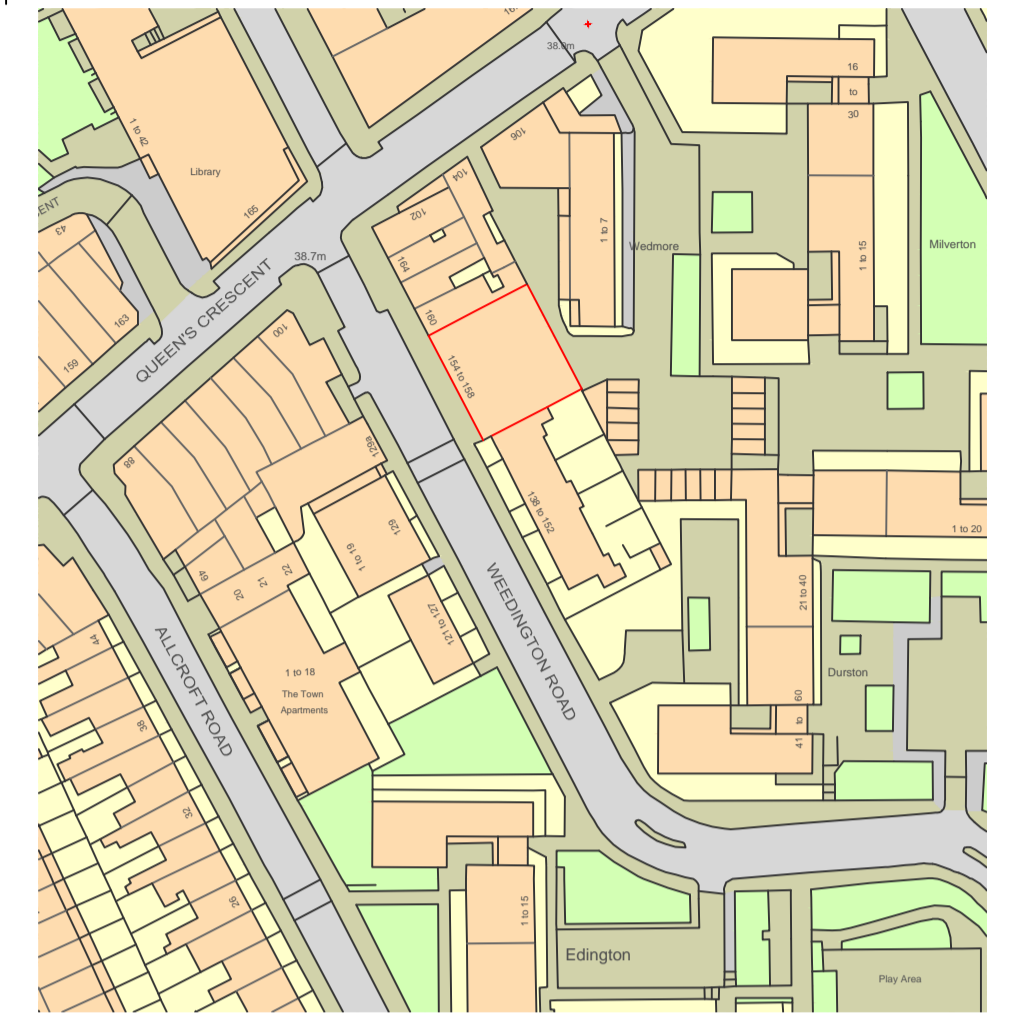
EXISTING REAR ELEVATION



PROPOSED REAR ELEVATION

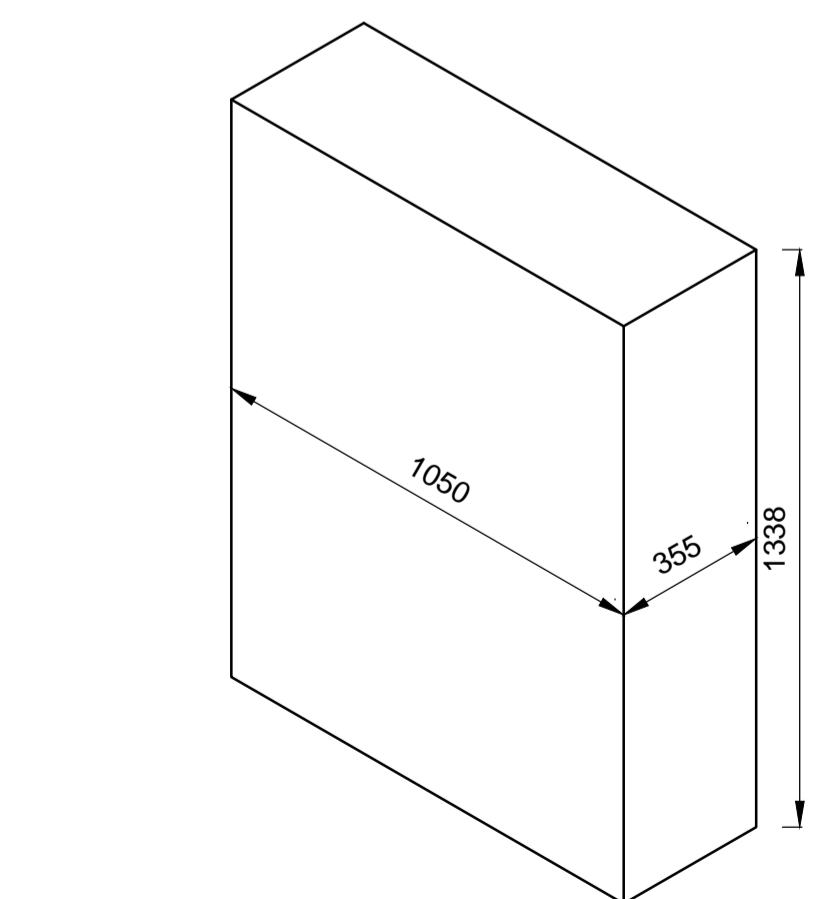
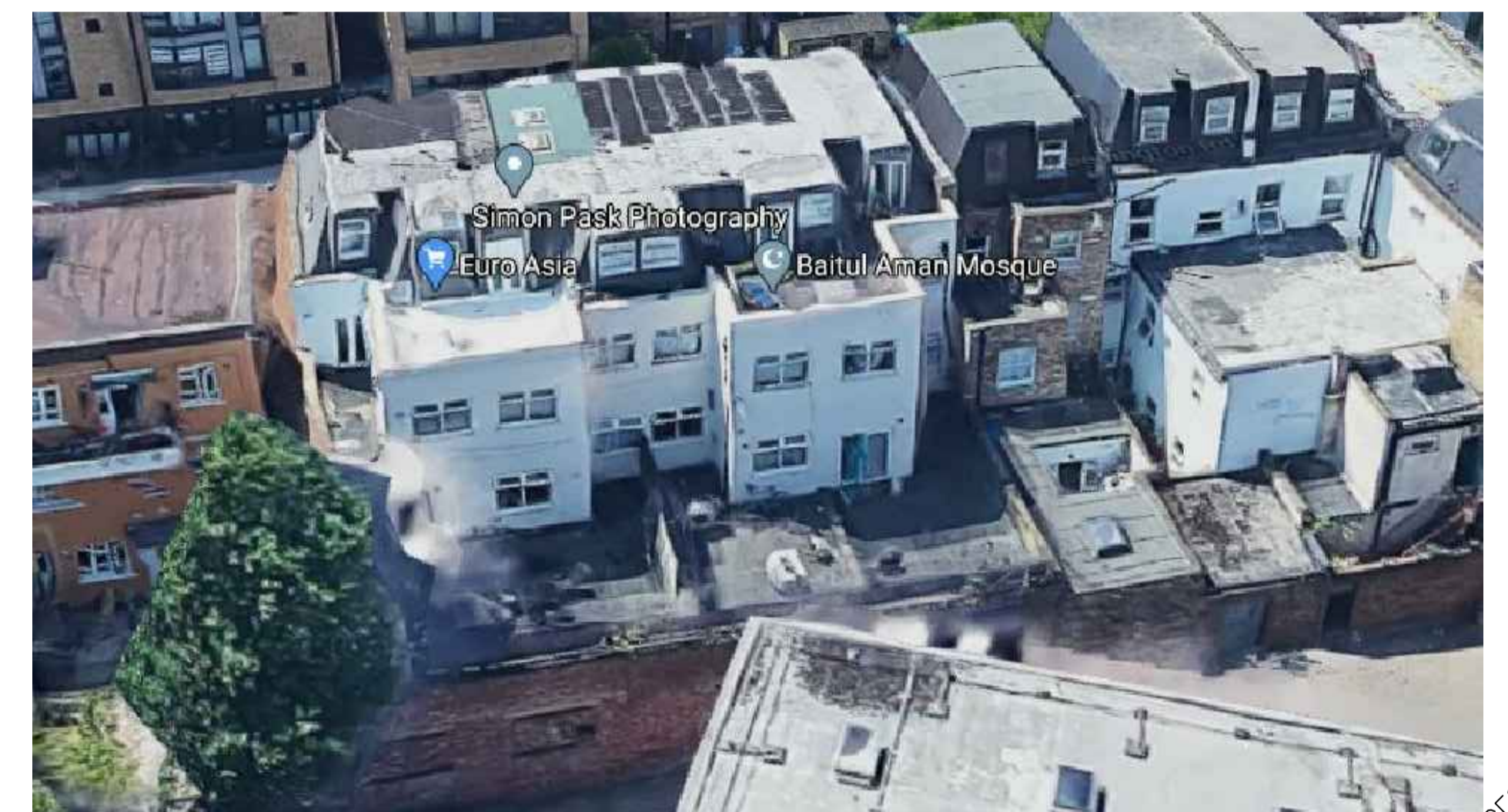
REAR ELEVATION & EXISTING UNITS

notes
 Any discrepancies in dimensions or detail to be reported to the architect immediately.
 This drawing is to be read in conjunction with all relevant architectural, structural and services drawings.
 This drawing remains the copyright of Robert Savage Associates and may not be copied or used without their prior consent



Location plan @ 1:1250

AERIAL VIEW OF REAR



Mitsubishi PUMY-P200YKM2R2

Revisions:

FOR PLANNING PURPOSES ONLY

client
 KENTISH TOWN BAITUL AMAN MOSQUE CHARITY
 project
 154-158 WEEDINGTON ROAD
 LONDON NW5 5NU
 title
 EXISTING AND PROPOSED REAR ELEVATIONS INDICATING
 REPLACEMENT AND RELOCATION OF AIR CONDITIONING UNITS.
 PHOTOGRAPHS AND LOCATION PLAN @ 1:1250

scale 1:50 date NOV 2020 drg. no. 10621/TP2/01

Robert Savage & Associates
 architects designers structural engineers
 11 Eton Garages, Lancaster Grove, Belsize Park, London NW3 4PE Telephone: 020 7433 3561 Email: office@rsa.me.uk