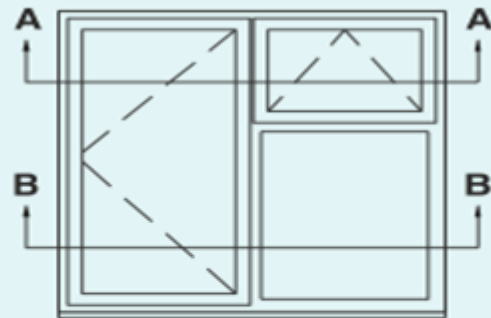
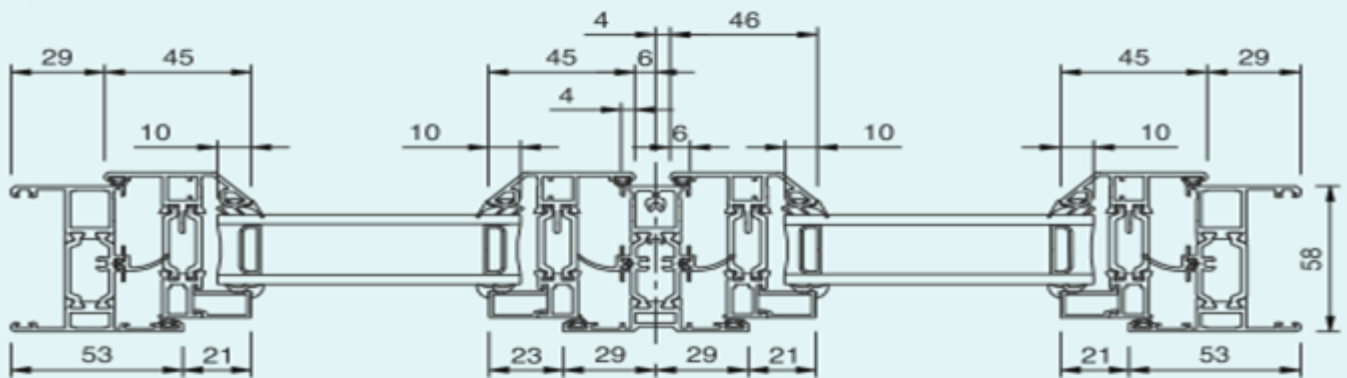


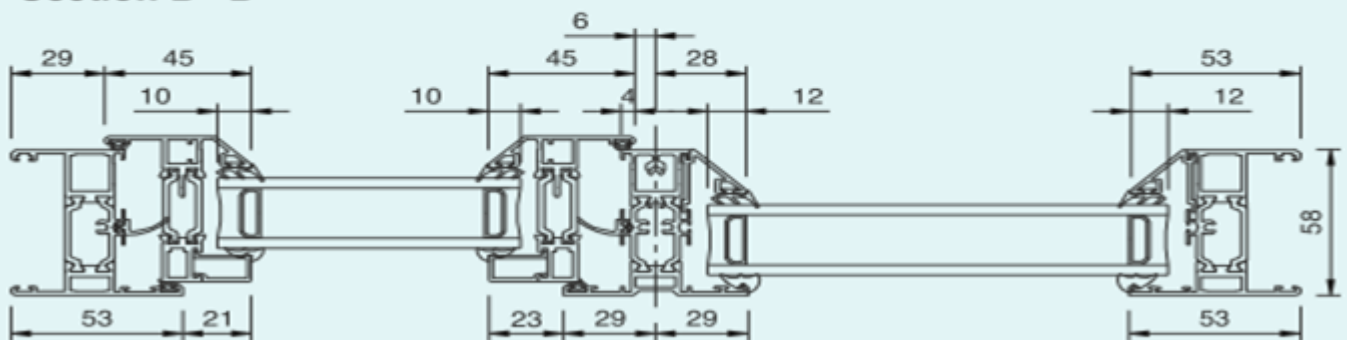
## 7.2. Horizontal Sections.



**Section A - A**



**Section B - B**



(GA/657 Rev: B)