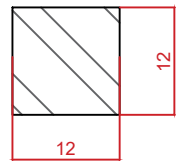
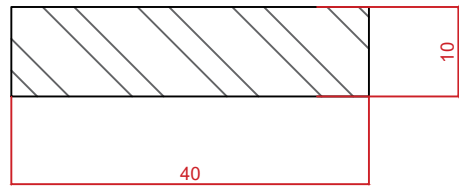


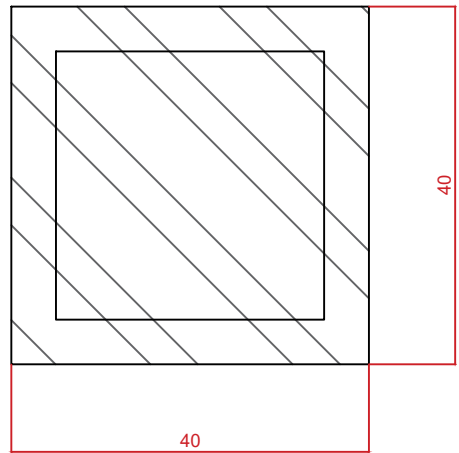
HANDRAIL PROFILE



PLAIN BALUSTRADE ROD PROFILE

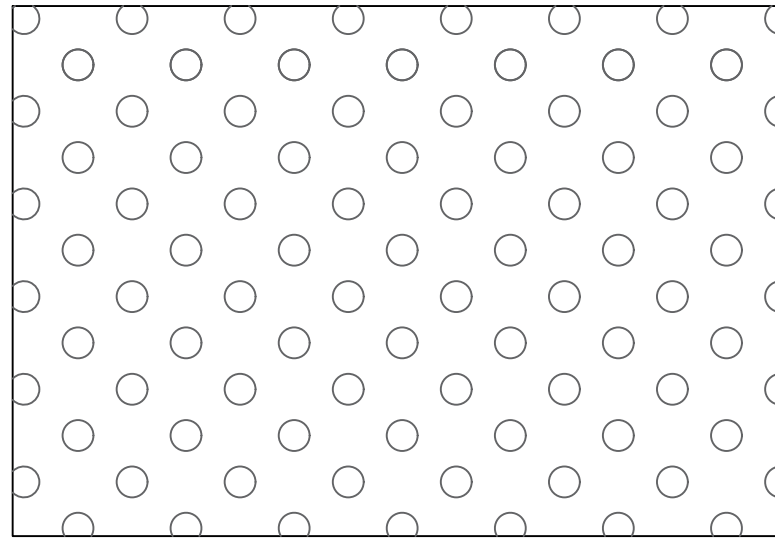


BOTTOM RAIL PROFILE

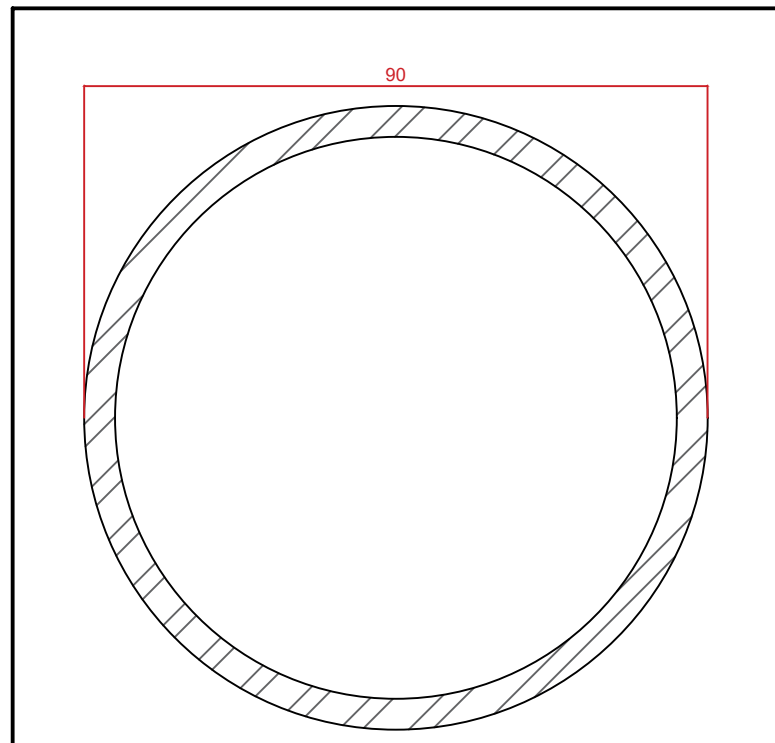


BALUSTRADE POST PROFILE

PROFILE DETAILS

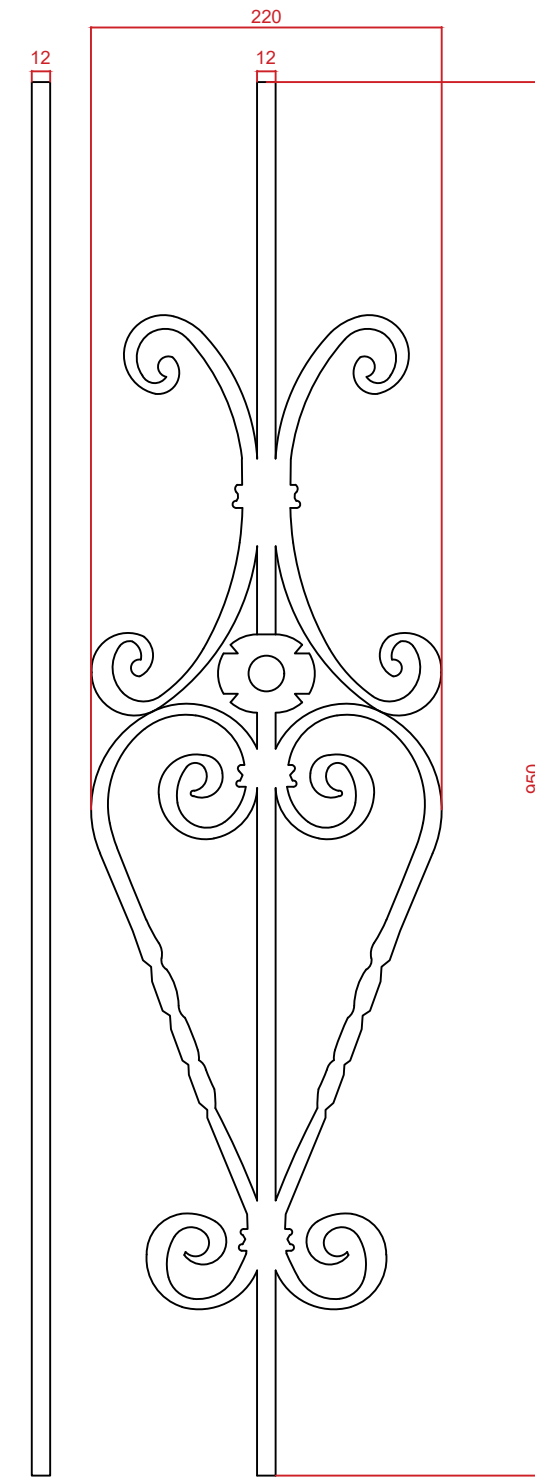


PLAN VIEW OF LANDING FLOOR.  
2MM GALVANISED STEEL SHEET WITH 6MM HOLES



LANDING SUPPORT POST PROFILE

PROFILE DETAILS



BALUSTRADE RODS

A	ISSUED FOR COMMENT	14/5/20
REV MARK	REVISION DESCRIPTION	REVISION DATE
<b>ESSEX FORGE</b>		
DRAWING TITLE	Caz Stuart	
CONTRACT	-	
CONTRACT NO.	-	DATE - 14/5/20
DRAWN BY	SP	SCALE - NTS
DRAWING NO.	4	REVISION NO. - A