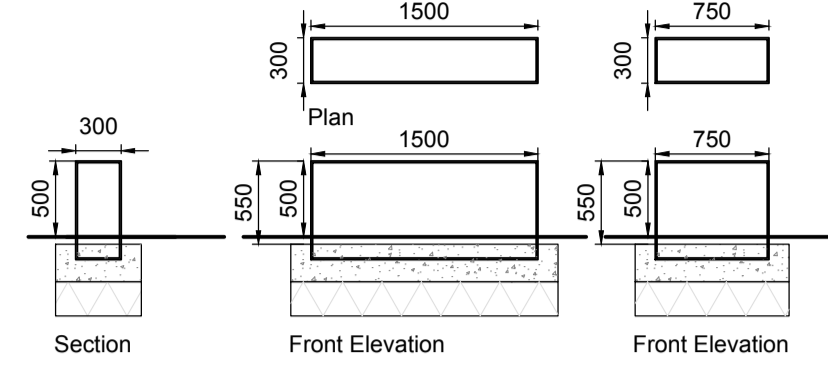


F1 Tree Grille
 MANUFACTURER: Green Blue Urban
 RANGE: Castle Recessed Tree Grille
 PRODUCT REFERENCE: CASTLE12A 1200 x 1200mm
 WEBSITE: www.greenblue.com
 MATERIAL: Mild and stainless steel
 FIXING: Fixed to paving



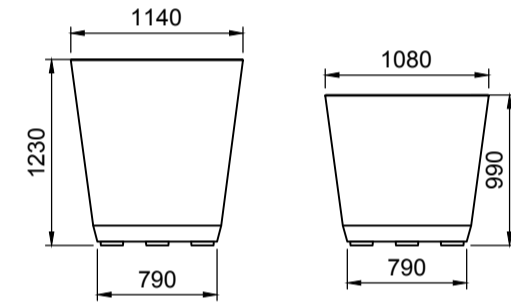
F2 Bespoke Concrete Block
 MANUFACTURER: CED
 RANGE: Granite stone
 PRODUCT REFERENCE: Bespoke cut stone
 WEBSITE: www.cedstone.co.uk
 MATERIAL: Granite
 FIXING: Set on concrete foundation



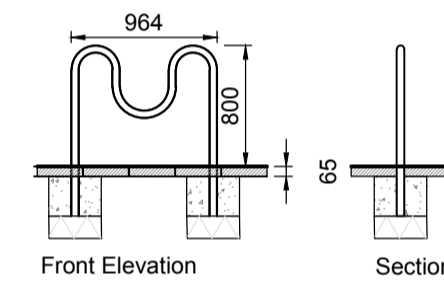
F3 Chairs
 MANUFACTURER: Roche Bobois
 RANGE: Angel
 PRODUCT REFERENCE: Angel bridge without cushion
 WEBSITE: www.roche-bobois.com
 MATERIAL: Aluminium tube and cast aluminium in lacquered bleu
 FIXING: Freestanding



F3a Table
 MANUFACTURER: Tribu
 RANGE: Branch
 PRODUCT REFERENCE: Branch Bistro Table
 WEBSITE: www.gomodern.co.uk
 MATERIAL: Aluminium
 FIXING: Freestanding



F4 Planters
 MANUFACTURER: Escofet
 RANGE: Conica
 PRODUCT REFERENCE: Cónica 1000 and Cónica 1200
 WEBSITE: www.escofet.com
 MATERIAL: Reinforced concrete
 FIXING: Freestanding



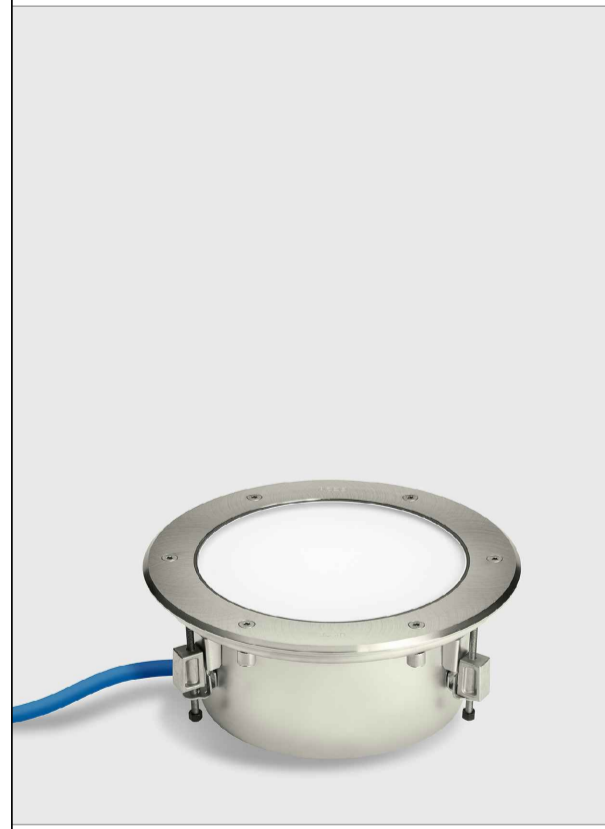
F6 Cycle Stand
 MANUFACTURER: Broxap
 RANGE: CaMden M Stand
 PRODUCT REFERENCE: 8XMIW/MSTAND-Camden Stand
 WEBSITE: http://www.broxap.com
 MATERIALS: Galvanised steel BS EN 1461:2009, with powder coating (Colour: RAL 7024)
 FIXING: Root fixed to concrete base below surface to manufacturer's specification



F7 Bespoke Aluminium Planter
 MANUFACTURER: Outdoor Design
 RANGE: Bespoke
 WEBSITE: www.outdoordesign.com
 MATERIAL: Aluminium steel powdercoated to RAL 7016
 FIXING: Fixed to roof tray



F8 Speakers
 MANUFACTURER: Bose
 RANGE: 51 environmental speakers
 PRODUCT REFERENCE: CASTLE12A 1200 x 1200mm
 WEBSITE: www.bose.com
 MATERIAL: Polymer fibre composite
 FIXING: embedded on planting beds



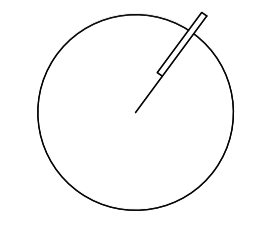
F9 LED in-ground Luminaire
 MANUFACTURER: Bega
 RANGE: LED surface floodlight with mounting box
 PRODUCT REFERENCE: Code: 77 813
 WEBSITE: www.bega.com
 MATERIAL: Glass fibre reinforced synthetic
 FIXING: Fixed to tree grille and building columns

DO NOT SCALE FROM DRAWING

Drawing Information
 Copyright of Place Design + Planning Ltd. 2008
 All Rights Reserved
 PLEASE NOTE: Figured dimensions take precedent over scale, do not scale from drawings.
 Inform Place Design + Planning Ltd of any discrepancies before works commence on site.
 All dimensions to be checked on site

Rev.	Description	date	by	checked
T00	First issue.	21/08/20	BF	GH

SIGNIFICANT HEALTH, SAFETY & ENVIRONMENTAL INFORMATION RELATING TO CDM
 HEALTH:
 SAFETY:
 ENVIRONMENTAL:
 IT IS ASSUMED ALL WORKS WILL BE CARRIED OUT BY A COMPETENT CONTRACTOR WORKING, WHERE APPROPRIATE, TO AN AGREED METHOD STATEMENT



Client
ROYAL LONDON ASSET MANAGEMENT
 85 Cannon Row
 London
 EC3N 3DF

Project Title
Castlewood House
 Drawing Title
Ground Floor Furniture Details
 Project Stage
Tender

PLACE
 Design + Planning
 Place Design + Planning Ltd
 16 West Barnes Lane
 London, SW20 0BU, UK
 +44 208944 1940
 +44 208944 1117
 scale 1:50 A1 date 05/08/20 draw by BF ch by GH
 863-DT-411 T00